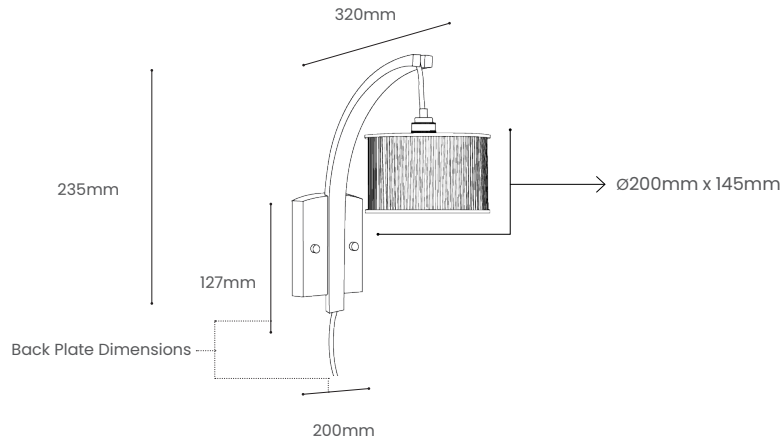


ARTUS X-SMALL – STEM WALL LIGHT




Tom Raffield

Product Specification

Artus X-Small – Stem Wall Light



Handcrafted in sustainably sourced solid oak, the Stem's steam bent curve arches from its roots to showcase the energising Artus shade, which creates an abundance of personality. Use the wooden Artus X-Small – Stem Wall Light to build character in hallways, living spaces or bedrooms alike. Radiating invigorating illumination; this statement wooden wall light is the ultimate balance between form and function.

Product Type : Wall Light	SKU	Wood types	Dimensions L x W x H (mm)		Weight (kg)	
			Unboxed	Boxed	Unboxed	Boxed
Stem Wall Light : Hardwired	TR-STM-WL-ART-B-XSML	Oak	Shade ø200 x 145	Shade 260 x 260 x 260	0.80	Shade - 1.25 Stand - 2.75
Stem Wall Light : Plug and switch	TR-STM-WL-ART-B-XSML-PLG	Oak	Stand 200 x 320 x 235	Stand 540 x 312 x 165		
Materials	Oak				Other materials	
Finish	Finished with a blend of natural wax oils to give a protective, hardwearing and beautiful finish.					
Wiring kit option : 1 Hardwired	Brass bulb holder with electrical connection block		Wiring kit option 1 connection block included E27 (240v)	Flex Flex colour: grey fabric	Recommended light bulb Max 25W LED	
Wiring kit option : 2 Plug and switch	Brass bulb holder with black inline switch and plug		Wiring kit option 2 Plastic inline switch E27 (240v)	Flex Flex colour: grey fabric Cable length: 228cm from plug to bulb holder	Recommended light bulb Max 25W LED	
Care information	Dusting your light regularly and with a light feather duster should keep your light looking clean, otherwise wipe with a damp cloth and remove any moisture with a dry cloth. Gentle furniture polishes can also be used.					
Additional information	<ul style="list-style-type: none"> Suitable for use on 240v circuits. Installation instructions and fixings included. This product can be plugged straight into a 240v outlet. If hardwiring into the main supply, this product must be installed by a qualified electrician. 					

Tom Raffield Ltd, F3 Church View Business Park, Bickland Water Rd, Falmouth TR11 4FZ, UK
tomraffield.com contact@tomraffield.com +44 (0) 1326 722725 #tomraffield @tomraffield

Due to the character of handcrafted natural products, all dimensions are approximate. Wood colour may slightly vary.
All products, prices and leadtimes are correct at time of print and are subject to change without notice.