

# MP04-FO

## BATH FILLER WITH OVERFLOW

meir®

### FEATURES

- Refer to the Meir website for warranty terms & conditions, and available finishes.
- Solid brass construction
- Overflow rate 12 L/min
- Waste sold separately

### CREDENTIALS

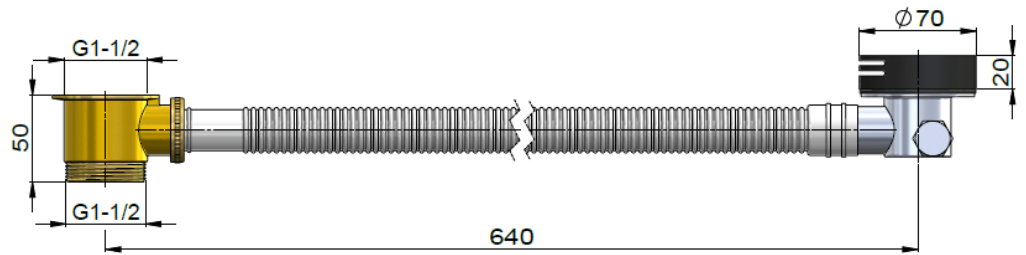
- KUKreg4 certified



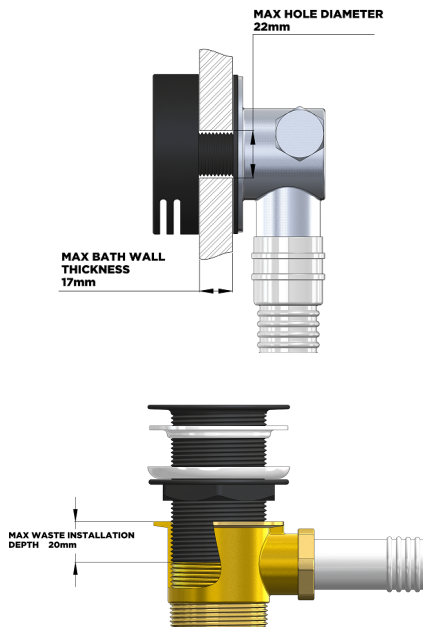
### CARE

- Do not install tapware using any form of acetone silicones.
- Do not apply physical items (such as tools) directly to the product.
- Never use house-hold or commercial detergents, citrus based cleaners, or abrasive cleaners.
- Clean using a mild washing soap solution. Rinse and dry with a soft cloth.
- Check for any product defects before installation.
- Refer to the Installation Manual for correct installation.

### SPECIFICATIONS



### TOLERANCES



### EXPLODED VIEW

No.	Part Name	Qty.
1	Plastic Grill	1
2	Connector	2
3	Gasket	2
4	Round Overflow Part	1
5	NBR Gasket	1
6	Check Valve	1
7	NBR Flat Gasket	1
8	Four-Way Connection	1
9	Plastic Hose	1
10	Screw Cap	1
11	NBR Gasket	1
12	T-Junction	1

