

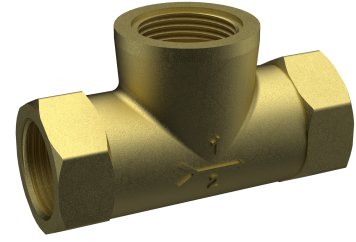
# MP13

## IN-WALL TAP BODY

# meir®

BRASS  
MP13

AVAILABLE  
FINISH



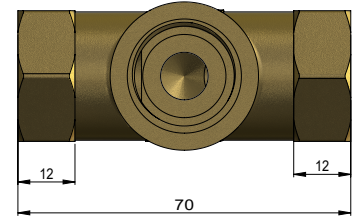
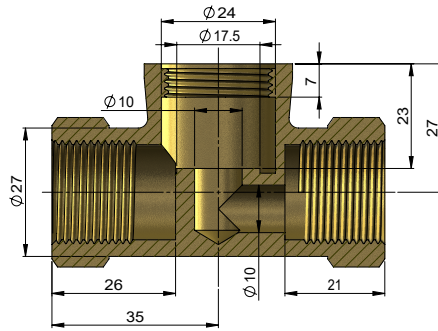
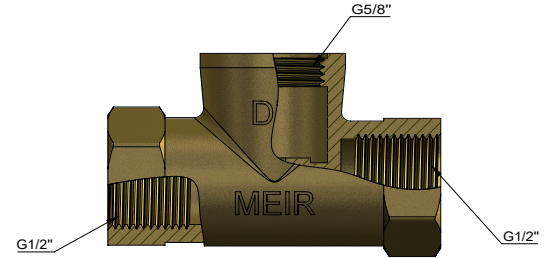
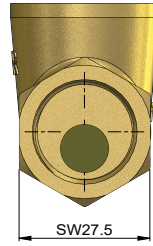
### FEATURES

- 10 Year warranty
- Solid DZR brass construction
- Box Weight 0.27Kg
- To be used with wall tap assemblies.

### CARE

- Do not install tapware using any form of acetone silicones.
- Do not apply physical items (such as tools) directly to product.
- Never use house-hold or commercial detergents, citrus based cleaners, or abrasive cleaners.
- Clean using a mild washing soap solution rinsed, and dry with a soft cloth.
- Check for any product defects before installation.
- Refer to the installation manual for correct installation.

### SPECIFICATIONS



### CREDENTIALS

- No Credentials Required