

MP13

IN-WALL TAP BODY

meir®

BRASS
MP13

AVAILABLE
FINISH

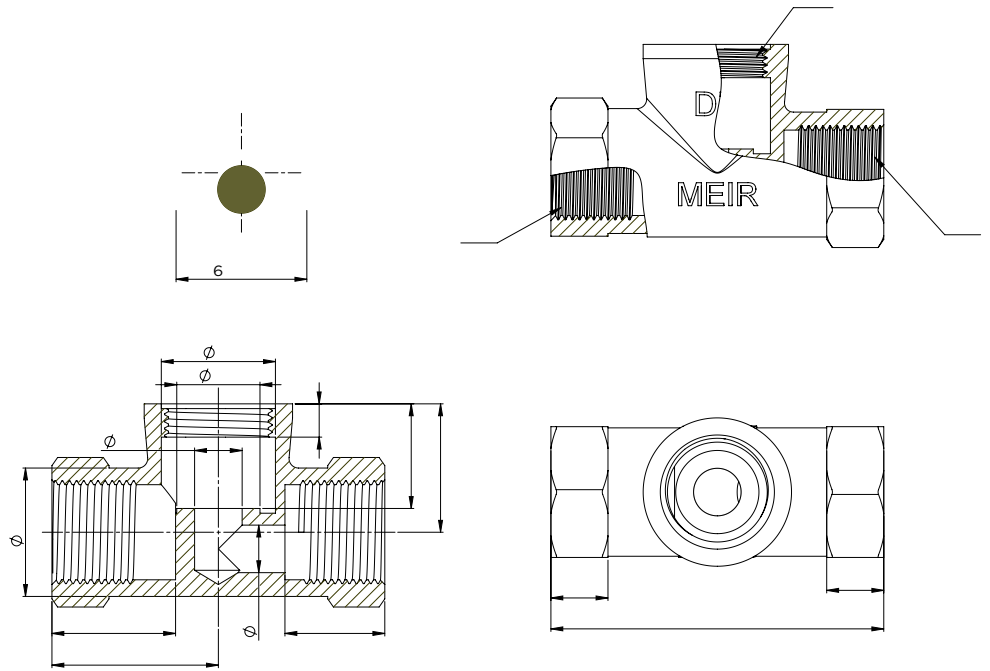
FEATURES

- 10 Year warranty
- Solid DZR brass construction
- Box Weight 0.27Kg
- To be used with MW08, MW04, MW05, MW06

CARE

- Do not install tapware using any form of acetone silicones.
- Do not apply physical items (such as tools) directly to product.
- Never use house-hold or commercial detergents, citrus based cleaners, or abrasive cleaners.
- Clean using a mild washing soap solution rinsed, and dry with a soft cloth.
- Check for any product defects before installation.
- Refer to the installation manual for correct installation.

SPECIFICATIONS



CREDENTIALS

- No Credentials Required