

MZ09-R DECK MOUNTED HAND SHOWER

meir®



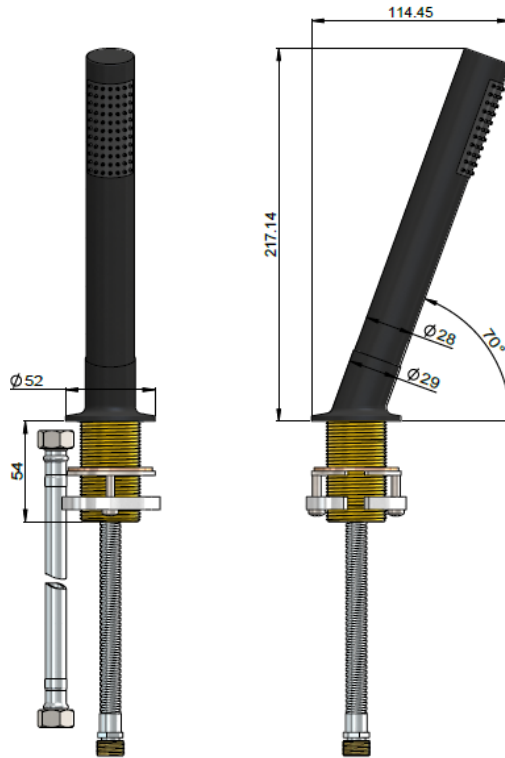
FEATURES

- Refer to the Meir website for warranty terms & conditions, and available finishes.
- Flow rate 8 L/min at 3 bar pressure.
- Solid brass construction
- Double hose connection for easy replacement of the chrome braided hose.

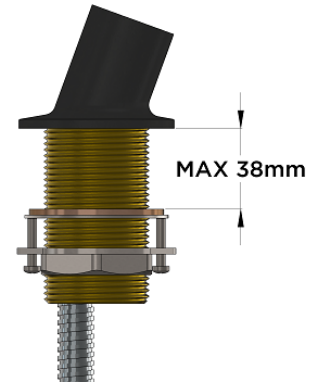
CARE

- Do not install tapware using any form of acetone silicones.
- Do not apply physical items (such as tools) directly to the product.
- Never use house-hold or commercial detergents, citrus based cleaners, or abrasive cleaners.
- Clean using a mild washing soap solution. Rinse and dry with a soft cloth.
- Check for any product defects before installation.
- Refer to the Installation Manual for correct installation.

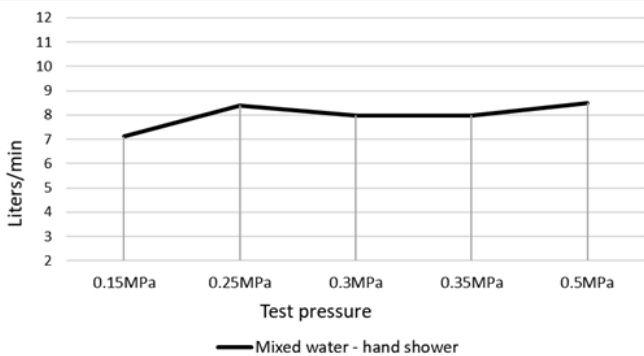
SPECIFICATIONS



TOLERANCES



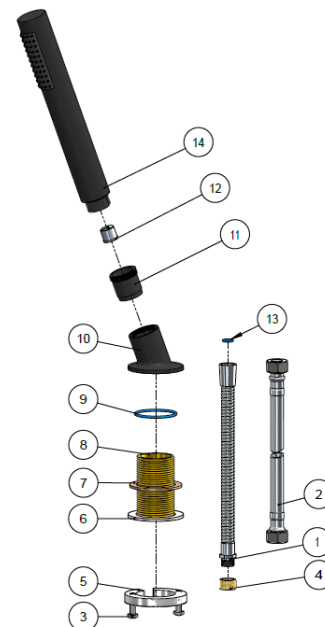
FLOW RATE GRAPH



CREDENTIALS

- WaterMark AS/NZS 3718:2005

EXPLODED VIEW



No.	Part Name	Qty.
1	Chrome Pull-Out Hose	1
2	Flexible Hose	1
3	Bolt	2
4	Connector	1
5	Nut	1
6	Washer	1
7	Flat Washer	1
8	Threaded Tube	1
9	O-ring	1
10	Shower Base	1
11	Protective Sleeve	1
12	Check Valve	1
13	Water Flow Controller	1
14	Handle Shower	1