

**In Common With**

Cassia Pendant  
*Technical Specifications*





## Cassia Pendant, Small

### Technical Specifications

Materials	Ceramic, glass, brass
Product weight	~ 27 lb
Lead time	16 weeks
Bulbs included (1)	G9 / 110V / 6.0 W / 550 lm 2700K / dimmable
Dimmer	TRIAC
Suspension type	Fixed brass rod 3 foot oal included (see notes)
Max wattage	10 W
Certifications	UL listed, damp- rated

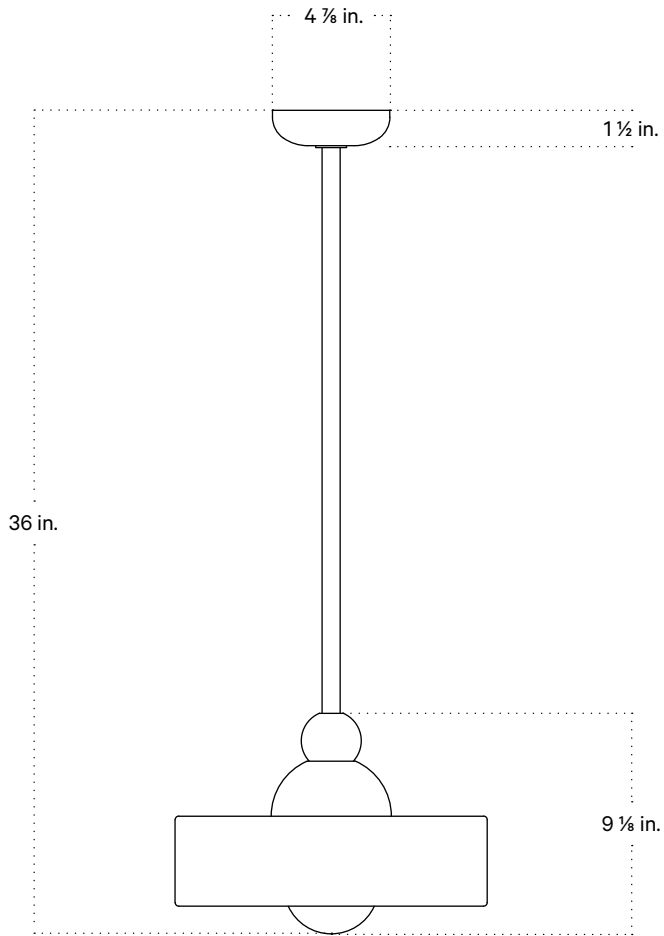


### Notes

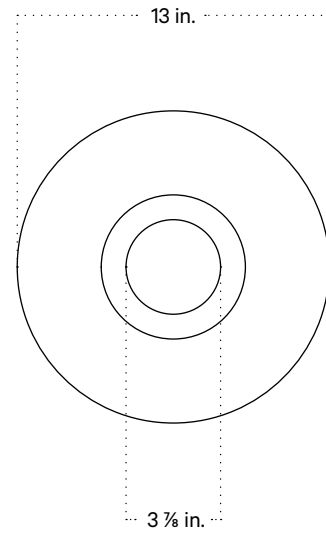
1. This fixture has a fixed brass rod that is not adjustable. Please specify the overall length (OAL) when placing your order. OAL is measured from the ceiling to the bottom of a fixture and includes the shades.
2. 3-foot OAL is included in the price of this fixture. Additional length is priced per inch.
3. The minimum OAL for this fixture is 19 inches, and the maximum with no seam is 83 inches. With an additional stem the maximum OAL is 155 inches with the seam at 81.5 inches.
4. This fixture has handmade elements and may exhibit variability within the same piece. These variations are inherent in the production process and are not to be considered as defects. We do our best to maintain a consistent product while honoring handmade craftsmanship.
5. Dimensions may vary within one inch.

Updated May 15, 2023

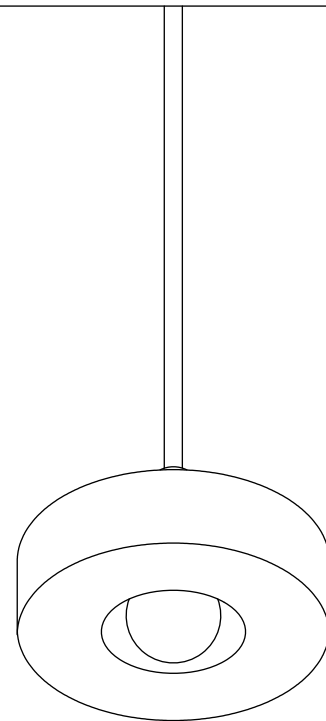
Front View



Bottom View



Isometric View





# Cassia Pendant, Large

## Technical Specifications

Materials	Ceramic, glass, brass
Product weight	lb
Lead time	16 weeks
Bulbs included (3)	G9 / 110V / 6.0 W / 550 lm 2700K / dimmable
Dimmer	TRIAC
Suspension type	Fixed brass rod 3 foot oal included (see notes)
Max wattage	10 W
Certifications	UL listed, damp-rated

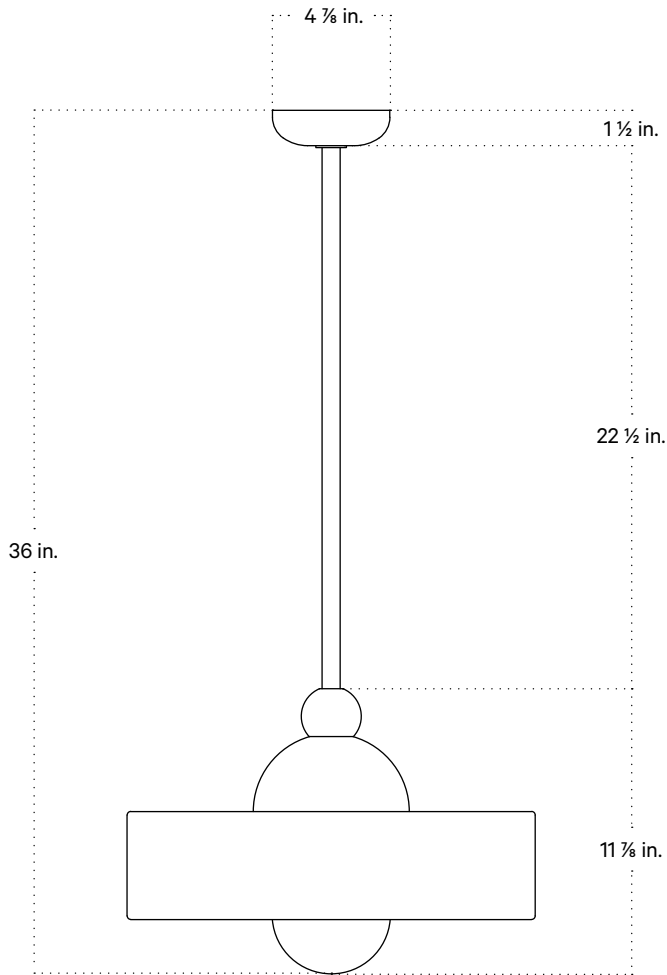


## Notes

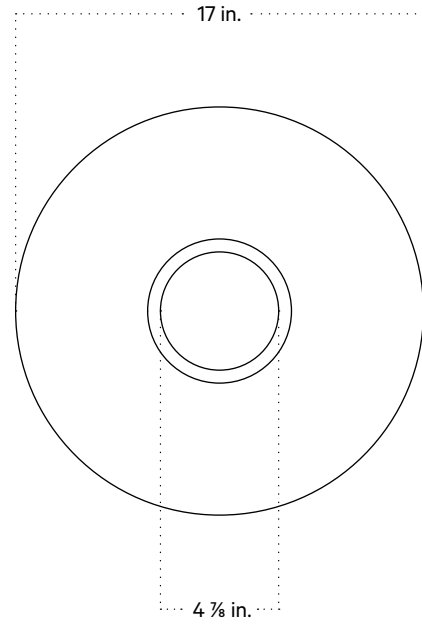
1. This fixture has a fixed brass rod that is not adjustable. Please specify the overall length (OAL) when placing your order. OAL is measured from the ceiling to the bottom of a fixture and includes the shades.
2. 3-foot OAL is included in the price of this fixture. Additional length is priced per inch.
3. The minimum OAL for this fixture is 20 inches, and the maximum with no seam is 85.5 inches. With an additional stem the maximum OAL is 157.5 inches with the seam at 83 inches.
4. This fixture has handmade elements and may exhibit variability within the same piece. These variations are inherent in the production process and are not to be considered as defects. We do our best to maintain a consistent product while honoring handmade craftsmanship.
5. Dimensions may vary within one inch.

Updated May 15, 2023

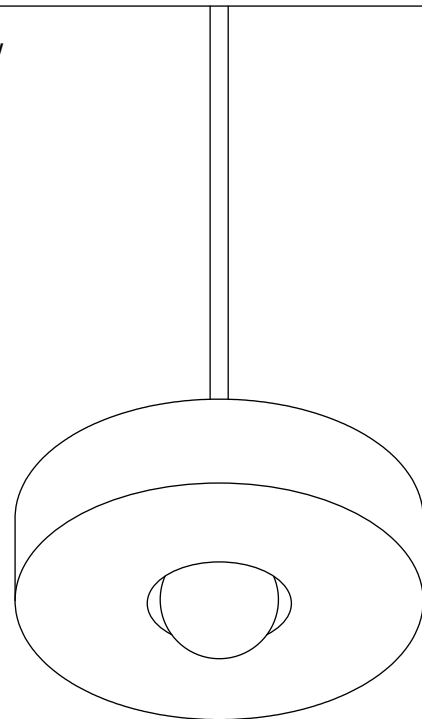
Front View



Bottom View



Isometric View



## Finish Options

*Brass, glass, and ceramic samples made or finished by hand may exhibit variability. Available for purchase at [incommonwith.com/finishes](http://incommonwith.com/finishes).*

---

### Ceramic



Stone



Anthracite



Chestnut



Ivy



Lapis



Terrasig

---

### Brass



Brass



Patina Brass



Blackened Brass