

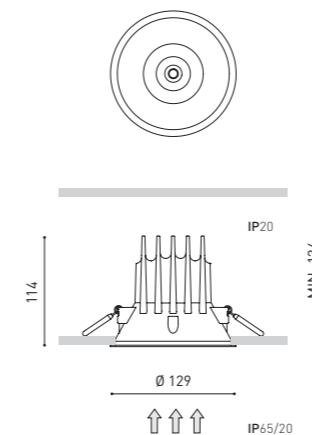
# SHOT LIGHT BIG



>> MORE INFO

⊕ BEAM OPTIONS

|   |     |
|---|-----|
| 1 | 18° |
| 2 | 49° |



|                        |                        | P     | CCT   | I       | Flux    | LOR |
|------------------------|------------------------|-------|-------|---------|---------|-----|
| SHOT LIGHT<br>Big 1    | A448-11-⊕-0-   N       | 11,8W | 2700K | 350mA   | 1490 lm | 89% |
|                        | A448-11-⊕-1-   N       | 11,8W | 3000K | 350mA   | 1600 lm | 89% |
|                        | A448-11-⊕-2-   N       | 11,8W | 4000K | 350mA   | 1720 lm | 89% |
| SHOT LIGHT<br>Big 2    | A448-21-⊕-0-   N       | 17,5W | 2700K | 500mA   | 2010 lm | 89% |
|                        | A448-21-⊕-1-   N       | 17,5W | 3000K | 500mA   | 2160 lm | 89% |
|                        | A448-21-⊕-2-   N       | 17,5W | 4000K | 500mA   | 2320 lm | 89% |
| SHOT LIGHT<br>Big 3    | A448-31-⊕-0-   N       | 25,3W | 2700K | 700mA   | 2600 lm | 89% |
|                        | A448-31-⊕-1-   N       | 25,3W | 3000K | 700mA   | 2780 lm | 89% |
|                        | A448-31-⊕-2-   N       | 25,3W | 4000K | 700mA   | 3000 lm | 89% |
|                        | A448-32-⊕-0-   N       | 25,3W | 2700K | 700mA   | 2600 lm | 89% |
|                        | DALI* A448-32-⊕-1-   N | 25,3W | 3000K | 700mA   | 2780 lm | 89% |
|                        | PUSH* A448-32-⊕-2-   N | 25,3W | 4000K | 700mA   | 3000 lm | 89% |
| A448-33-⊕-0-   N       | 25,3W                  | 2700K | 700mA | 2600 lm | 89%     |     |
| A448-33-⊕-1-   N       | 25,3W                  | 3000K | 700mA | 2780 lm | 89%     |     |
| PUSH* A448-33-⊕-2-   N | 25,3W                  | 4000K | 700mA | 3000 lm | 89%     |     |

220 V~ | IP20 | CRI>90 | L80B10 >60.000h



\* PHASE CUT & OTHER DIM OPTIONS PLEASE CONSULT

|                           |                           | P     | CCT   | I       | Flux    | LOR |
|---------------------------|---------------------------|-------|-------|---------|---------|-----|
| SHOT LIGHT<br>Big IP65 1  | A449-11-20-   N   W       | 11,8W | 2700K | 350mA   | 1490 lm | 86% |
|                           | A449-11-21-   N   W       | 11,8W | 3000K | 350mA   | 1600 lm | 86% |
|                           | A449-11-22-   N   W       | 11,8W | 4000K | 350mA   | 1720 lm | 86% |
| SHOT LIGHT<br>Big IP65 2  | A449-21-20-   N   W       | 17,5W | 2700K | 500mA   | 2010 lm | 86% |
|                           | A449-21-21-   N   W       | 17,5W | 3000K | 500mA   | 2160 lm | 86% |
|                           | A449-21-22-   N   W       | 17,5W | 4000K | 500mA   | 2320 lm | 86% |
| SHOT LIGHT<br>Big IP65 3  | A449-31-20-   N   W       | 25,3W | 2700K | 700mA   | 2600 lm | 86% |
|                           | A449-31-21-   N   W       | 25,3W | 3000K | 700mA   | 2780 lm | 86% |
|                           | A449-31-22-   N   W       | 25,3W | 4000K | 700mA   | 3000 lm | 86% |
|                           | A449-32-20-   N   W       | 25,3W | 2700K | 700mA   | 2600 lm | 86% |
|                           | DALI* A449-32-21-   N   W | 25,3W | 3000K | 700mA   | 2780 lm | 86% |
|                           | PUSH* A449-32-22-   N   W | 25,3W | 4000K | 700mA   | 3000 lm | 86% |
| A449-33-20-   N   W       | 25,3W                     | 2700K | 700mA | 2600 lm | 86%     |     |
| A449-33-21-   N   W       | 25,3W                     | 3000K | 700mA | 2780 lm | 86%     |     |
| PUSH* A449-33-22-   N   W | 25,3W                     | 4000K | 700mA | 3000 lm | 86%     |     |

220 V~ | IP65 | CRI>90 | L80B10 >60.000h



\* PHASE CUT & OTHER DIM OPTIONS PLEASE CONSULT

COLOUR | N ■ | W □ |

MATERIAL | AL | ABS+PC |

RAL ⓘ » 538

"THE INVISIBLE BLACK" IS ONLY AVAILABLE FOR N COLOUR

Ⓢ & Ⓜ » PLEASE CONSULT