



Shot Light



EXTENDED FAMILY
Shot Light M Surface_P.205

Bulthaup Sant Cugat, Barcelona (Spain) | Francesc Rifé Studio | Photography: Montse Cepdevila



>> MORE INFO

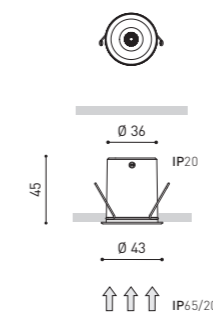
		P	CCT	Beam	I	Flux	LOR
SHOT LIGHT	A268-01-10- N NMG WMG	2,1W	2700K	19°	700mA	190 lm	90%
	A268-01-11- N NMG WMG	2,1W	3000K	19°	700mA	210 lm	90%
	A268-01-12- N NMG WMG	2,1W	4000K	19°	700mA	250 lm	90%
	A268-01-20- N W NMG WMG	2,1W	2700K	38°	700mA	190 lm	92%
	A268-01-21- N W NMG WMG	2,1W	3000K	38°	700mA	210 lm	92%
	A268-01-22- N W NMG WMG	2,1W	4000K	38°	700mA	250 lm	92%

220 V~ | IP20 | CRI>90 | L80B10 >60.000h



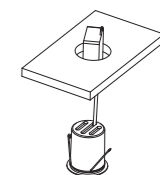
		P	CCT	Beam	I	Flux	LOR
SHOT LIGHT IP65	A268-02-20- N W NMG WMG	2,1W	2700K	38°	700mA	190 lm	86%
	A268-02-21- N W NMG WMG	2,1W	3000K	38°	700mA	210 lm	86%
	A268-02-22- N W NMG WMG	2,1W	4000K	38°	700mA	250 lm	86%

220 V~ | IP65 | CRI>90 | L80B10 >60.000h



EASY INSTALLATION

DRIVER FITS INTO
CUT-OUT DIAMETER



COLOUR | N ■ | W □ | NMG ■ | WMG □ | MATERIAL | AL | ABS+PC |

RAL » 538

* DIM OPTIONS PLEASE CONSULT | "THE INVISIBLE BLACK" IS ONLY AVAILABLE FOR N, NMG & WMG COLOURS

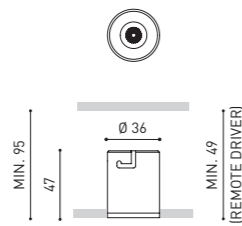
» PLEASE CONSULT



>> MORE INFO

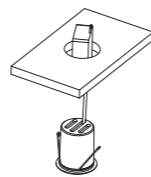
		P	CCT	Beam	I	Flux	LOR
SHOT LIGHT Trimless	A269-01-10- N NMG	2,1W	2700K	19°	700mA	190 lm	90%
	A269-01-11- N NMG	2,1W	3000K	19°	700mA	210 lm	90%
	A269-01-12- N NMG	2,1W	4000K	19°	700mA	250 lm	90%
	A269-01-20- N W NMG	2,1W	2700K	38°	700mA	190 lm	92%
	A269-01-21- N W NMG	2,1W	3000K	38°	700mA	210 lm	92%
	A269-01-22- N W NMG	2,1W	4000K	38°	700mA	250 lm	92%

220-240 V~ | IP20 | CRI>90 | L80B10 >60.000 h



EASY INSTALLATION

DRIVER FITS INTO CUT-OUT DIAMETER



ACCESSORIES**

MANDATORY FOR TRIMLESS INSTALLATION

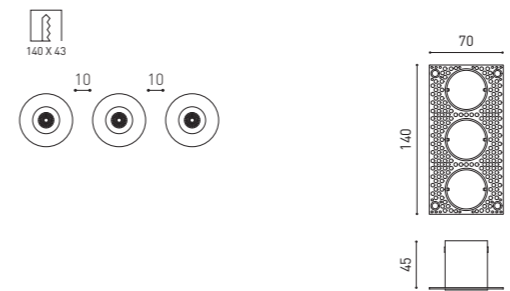
SHOT LIGHT Trimless Accessory A269-00-00



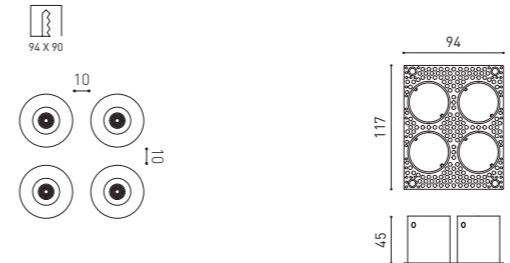
SHOT LIGHT Trimless Accessory 2 A269-00-01



SHOT LIGHT Trimless Accessory 3 A269-00-02

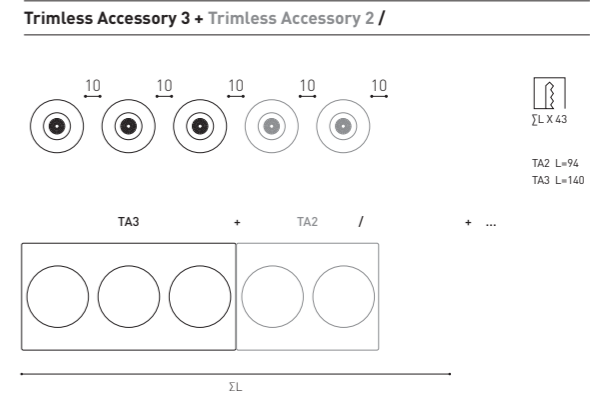
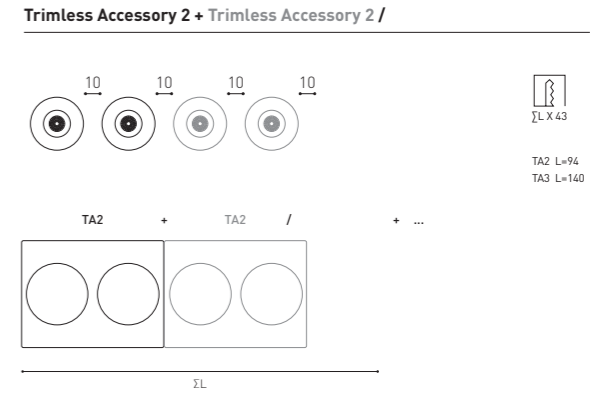


SHOT LIGHT Trimless Accessory 2x2 A269-00-03



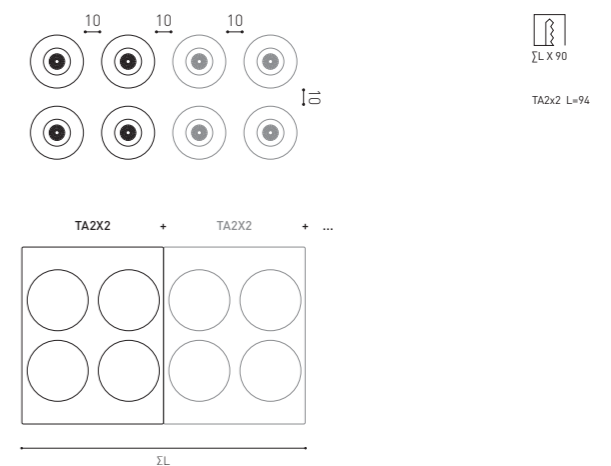
CUSTOM LAYOUT EXAMPLES

FOR EQUIDISTANT COMPOSITIONS



Trimless Accessory 2x2 + Trimless Accessory 2x2

THE "TA2X2" FRAME IS ONLY COMPATIBLE WITH FURTHER "TA2X2" FRAMES



COLOUR | N ■ | W □ | NMG ■ ■ | MATERIAL | AL | ABS+PC | RAL ⓘ » 538

* DIM OPTIONS PLEASE CONSULT | "THE INVISIBLE BLACK" IS ONLY AVAILABLE FOR N, NMG & WMG COLOURS | ⓘ » PLEASE CONSULT



Casa Grande Hotel, La Rioja (Spain) | Francesc Rifé Studio | Photography: David Zaroso



Alt in one - CaixaBank, Barcelona (Spain) | Francesc Rifé Studio | Photography: David Zaroso