

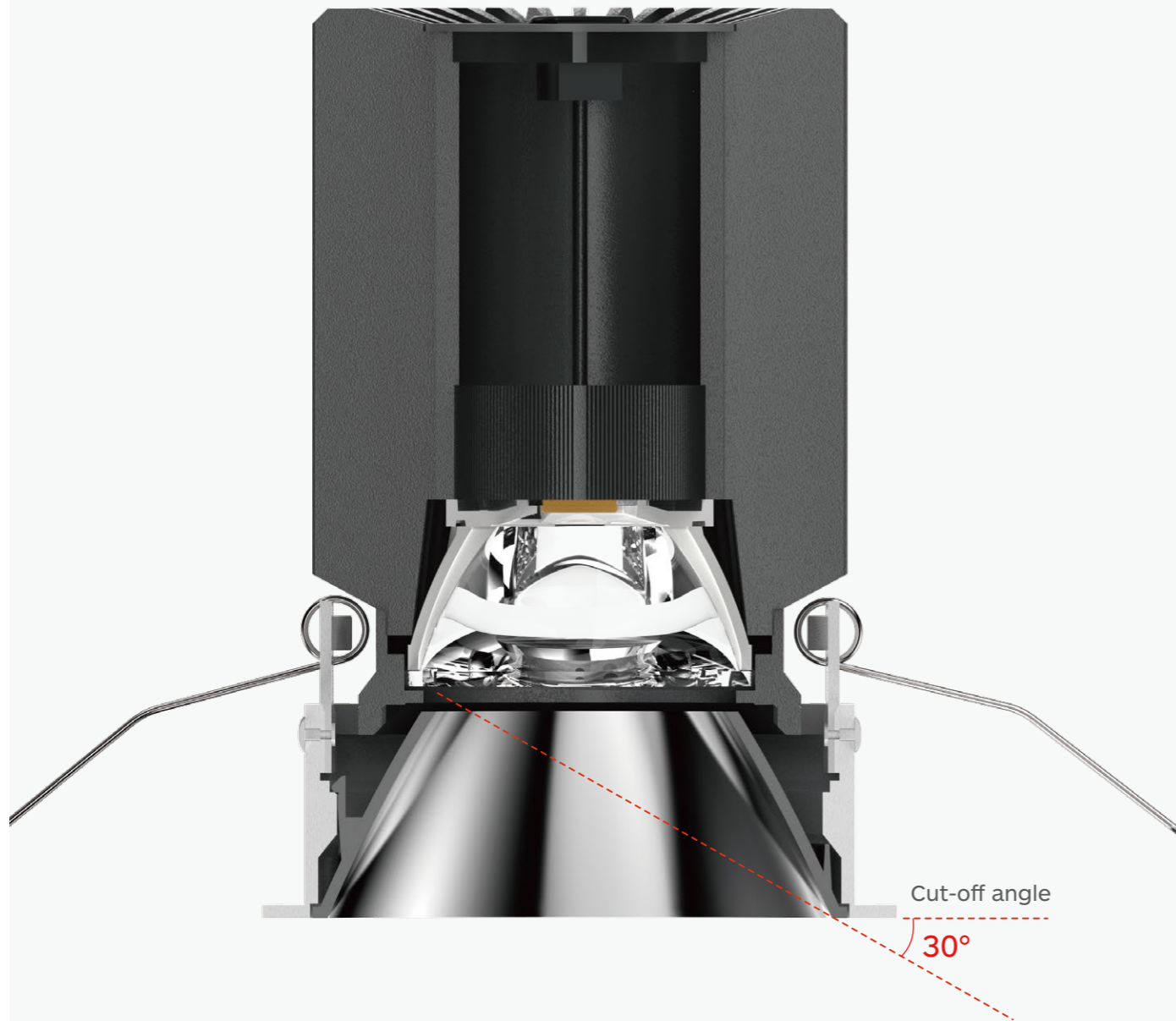


# Index

- 02** INDEX
- 03** VANESSA SERIES FEATURES
- 07** VANESSA PRODUCT INTRODUCTION
- 11** CODE SYSTEM
- 13** SYMBOLS & ICONS

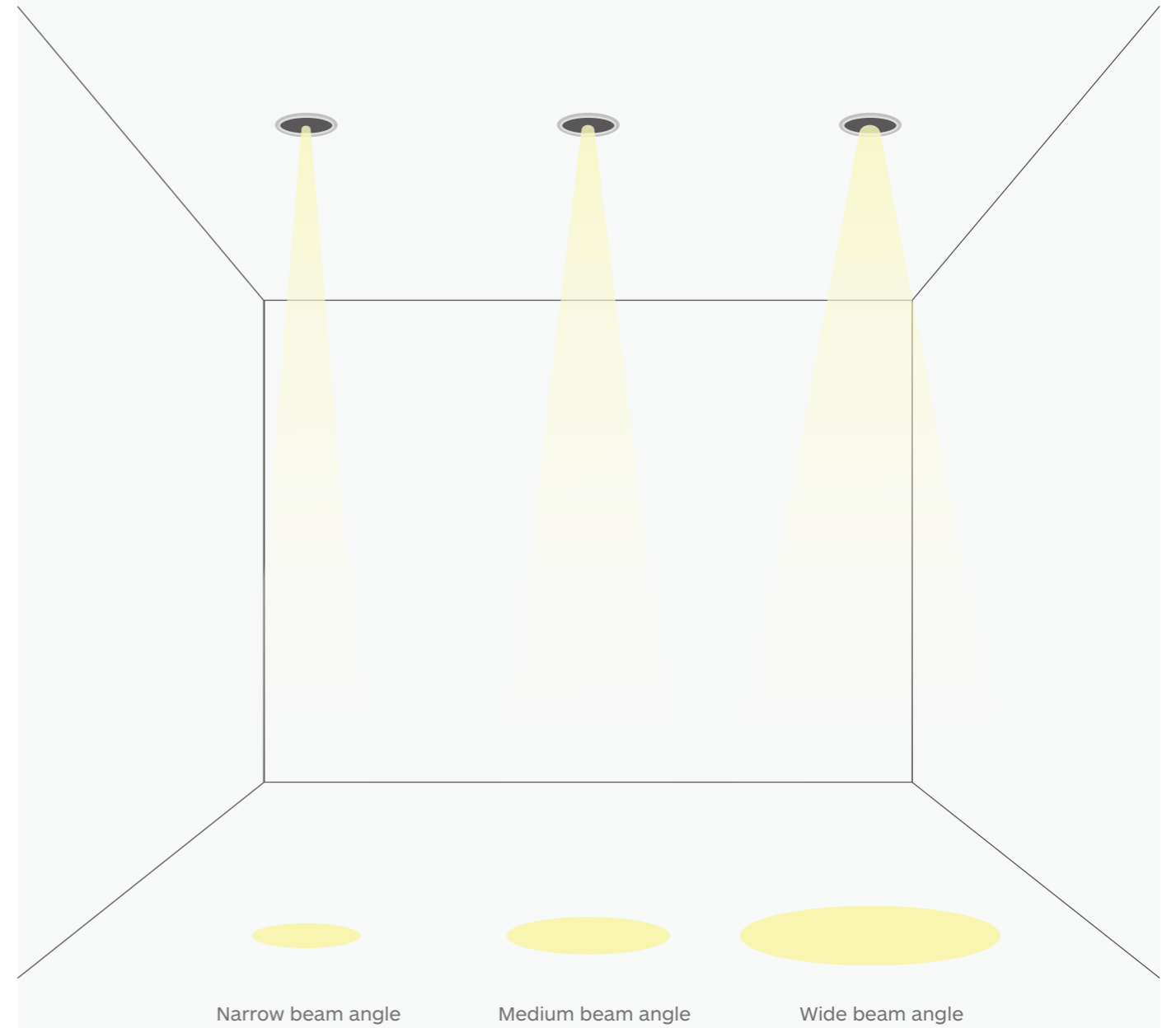
# 1 Deep Anti-glare Optics Design

30° cut-off angle, highly visually comfortable.



# 2 Three beam angles optional

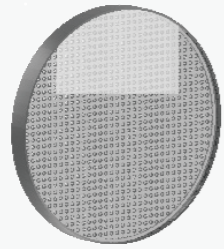
Narrow/medium/wide beam angles  
to match different lighting application.



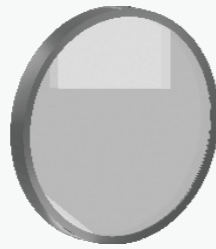
# 3

## Three optics accessories

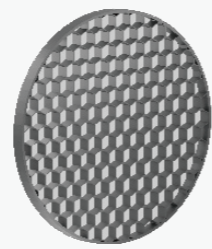
Linear spread glass(Soft light), Glass(Mosquito-proof),  
Honeycomb louvre(Shading and anti-glare)



Linear spread glass



Frosted glass



Honeycomb louvre

# 4

## High quality light source

CRI>90, Bining < 3 Step MacAdam



CRI>80



CRI>90

# 5

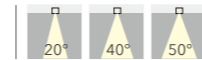
## Small size but high power

Benefiting from blade heatsink design, Vanessa series with  
Φ75mm can achieve the same heat dissipation effect of  
conventional products with Φ105mm on the market.





# Fixed LED Downlight VANESSA Series



## FEATURES

- Small size but high power.
- Vanessa can be integrated well into the ceiling environment and meet the lighting requirements.
- It is a very anti-glare optics and different secondary reflectors optional.

## SPECIFICATIONS

Dimming modes: ON-OFF, Phase, 1-10V, Dali  
 Beam angle: 20°, 40°, 50°  
 Physical: heatsink-cold forging, Trim-die casting  
 Accessories: Linear Spread glass, Glass, Honeycomb louvre

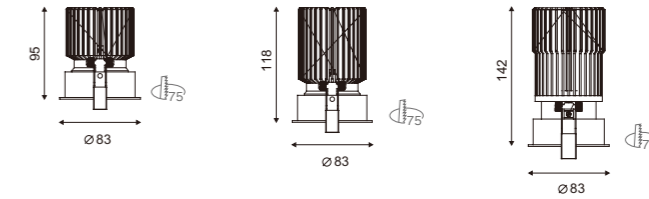
## TECHNICAL DATA

Luminous flux of system	1600lm-2290lm
Colour temperature	3000K, 4000K
Colour Rendering Index (CRI)	CRI>90, CRI>80
Maintained luminous flux	L80 B50>50,000H
Protection class	II
Ingress Protection	IP20

## ACCESSORIES



## Drawings



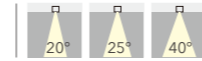
## Order Options

Code	System LM	System W	CRI	CCT	Beam
VANESSA-F-S-75-21W-930-20	1600Lm			3000K	20°
VANESSA-F-S-75-21W-940-20	1670Lm			4000K	20°
VANESSA-F-S-75-21W-930-40	1700Lm	21W	90	3000K	40°
VANESSA-F-S-75-21W-940-40	1770Lm			4000K	40°
VANESSA-F-S-75-21W-930-50	1600Lm			3000K	50°
VANESSA-F-S-75-21W-940-50	1670Lm			4000K	50°
VANESSA-F-S-75-25W-930-20	1900Lm			3000K	20°
VANESSA-F-S-75-25W-940-20	1980Lm			4000K	20°
VANESSA-F-S-75-25W-930-40	2000Lm	25W	90	3000K	40°
VANESSA-F-S-75-25W-940-40	2080Lm			4000K	40°
VANESSA-F-S-75-25W-930-50	1900Lm			3000K	50°
VANESSA-F-S-75-25W-940-50	1980Lm			4000K	50°
VANESSA-F-S-75-32W-930-20	2100Lm			3000K	20°
VANESSA-F-S-75-32W-940-20	2190Lm			4000K	20°
VANESSA-F-S-75-32W-930-40	2200Lm	32W	90	3000K	40°
VANESSA-F-S-75-32W-940-40	2290Lm			4000K	40°
VANESSA-F-S-75-32W-930-50	2100Lm			3000K	50°
VANESSA-F-S-75-32W-940-50	2190Lm			4000K	50°



# Fixed LED Downlight

## VANESSA Series



### FEATURES

- Small size but high power.
- Vanessa can be integrated well into the ceiling environment and meet the lighting requirements.
- It is a very anti-glare optics and different secondary reflectors optional.

### SPECIFICATIONS

Dimming modes: ON-OFF, Phase, 1-10V, Dali  
 Beam angle: 20°, 25°, 40°  
 Physical: heatsink-cold forging, Trim-die casting  
 Accessories: Linear Spread glass, Glass, Honeycomb louvre

### TECHNICAL DATA

Luminous flux of system	540lm-600lm
Colour temperature	3000K, 4000K
Colour Rendering Index (CRI)	CRI>90, CRI>80
Maintained luminous flux	L80 B50>50,000H
Protection class	II
Ingress Protection	IP20

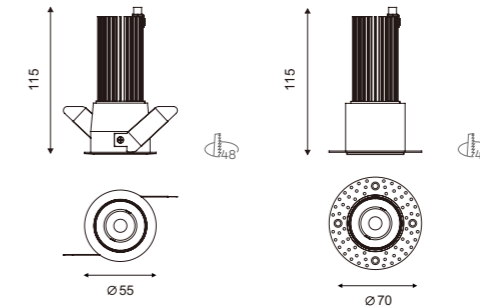
### ACCESSORIES



### SECONDARY REFLECTOR



### Drawings

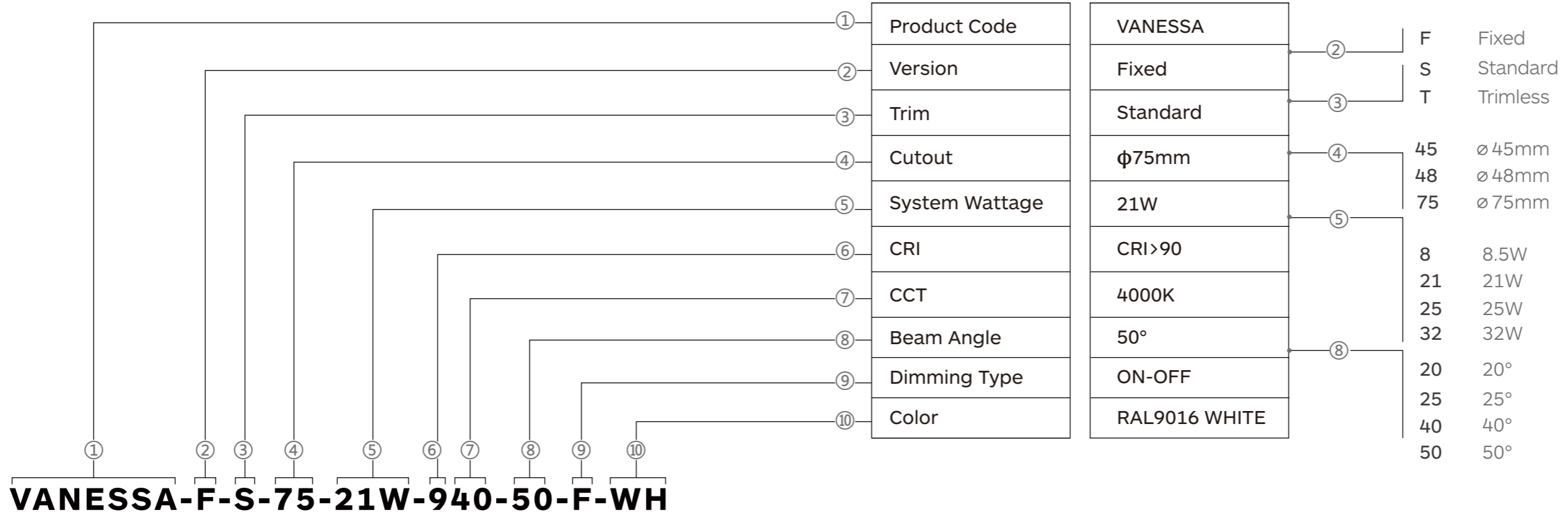


### Order Options

Code	System LM	System W	CRI	CCT	Beam
VANESSA-F-S-48-8W-930-20	615Lm			3000K	20°
VANESSA-F-S-48-8W-940-20	640Lm			4000K	20°
VANESSA-F-S-48-8W-930-25	635Lm	8W	90	3000K	25°
VANESSA-F-S-48-8W-940-25	660Lm			4000K	25°
VANESSA-F-S-48-8W-930-40	635Lm			3000K	40°
VANESSA-F-S-48-8W-940-40	660Lm			4000K	40°
<hr/>					
VANESSA-F-E-45-8W-930-20	615Lm			3000K	20°
VANESSA-F-E-45-8W-940-20	640Lm			4000K	20°
VANESSA-F-E-45-8W-930-25	635Lm	8W	90	3000K	25°
VANESSA-F-E-45-8W-940-25	660Lm			4000K	25°
VANESSA-F-E-45-8W-930-40	635Lm			3000K	40°
VANESSA-F-E-45-8W-940-40	660Lm			4000K	40°

# How to order

code ordering example:



## ⑥ CRI

- 80** CRI>80
- 90** CRI>90

## ⑦ CCT Colour temperature

- 30** Warm White 3000K
- 40** Neutral White 4000K

## ⑨ Dimming Type

- F** ON-OFF
- P** Phase
- A** 1-10V
- D** Dali


## ⑩ Color

- BK** RAL9005 Black ■
- WH** RAL9016 White □

All dimensions in the catalogue in mm

# Symbols & Icons

---

Manufacturing in accordance with the directives of the European Community. 


---

Certificate for the North American Market 


---

**CLASS I**  
Luminaires of insulation Class I - with earth connector. 

---

**CLASS II**  
Luminaires of insulation Class II - With safety isolation, this means the tension conduction element are protected by additional isolation. The isolation of an earth wire it is not necessary and the connection to it is not allowed. 

---

**CLASS III**  
Luminaires of insulation Class III - designed for operation of protected low voltage supply (>42V). 

---

## LEDs partner

---



---



---



---



---