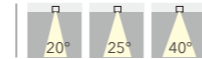




Fixed LED Downlight

VANESSA Series



FEATURES

- Small size but high power.
- Vanessa can be integrated well into the ceiling environment and meet the lighting requirements.
- It is a very anti-glare optics and different secondary reflectors optional.

SPECIFICATIONS

Dimming modes: ON-OFF, Phase, 1-10V, Dali
 Beam angle: 20°, 25°, 40°
 Physical: heatsink-cold forging, Trim-die casting
 Accessories: Linear Spread glass, Glass, Honeycomb louvre

TECHNICAL DATA

Luminous flux of system	540lm-600lm
Colour temperature	3000K, 4000K
Colour Rendering Index (CRI)	CRI>90, CRI>80
Maintained luminous flux	L80 B50>50,000H
Protection class	II
Ingress Protection	IP20

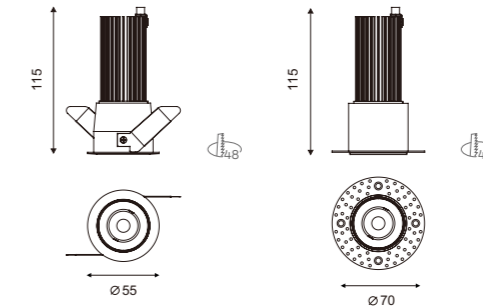
ACCESSORIES



SECONDARY REFLECTOR



Drawings



Order Options

Code	System LM	System W	CRI	CCT	Beam
VANESSA-F-S-48-8W-930-20	615Lm			3000K	20°
VANESSA-F-S-48-8W-940-20	640Lm			4000K	20°
VANESSA-F-S-48-8W-930-25	635Lm	8W	90	3000K	25°
VANESSA-F-S-48-8W-940-25	660Lm			4000K	25°
VANESSA-F-S-48-8W-930-40	635Lm			3000K	40°
VANESSA-F-S-48-8W-940-40	660Lm			4000K	40°
<hr/>					
VANESSA-F-E-45-8W-930-20	615Lm			3000K	20°
VANESSA-F-E-45-8W-940-20	640Lm			4000K	20°
VANESSA-F-E-45-8W-930-25	635Lm	8W	90	3000K	25°
VANESSA-F-E-45-8W-940-25	660Lm			4000K	25°
VANESSA-F-E-45-8W-930-40	635Lm			3000K	40°
VANESSA-F-E-45-8W-940-40	660Lm			4000K	40°