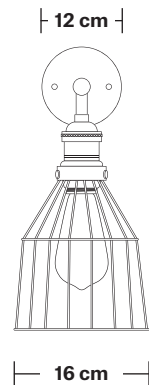
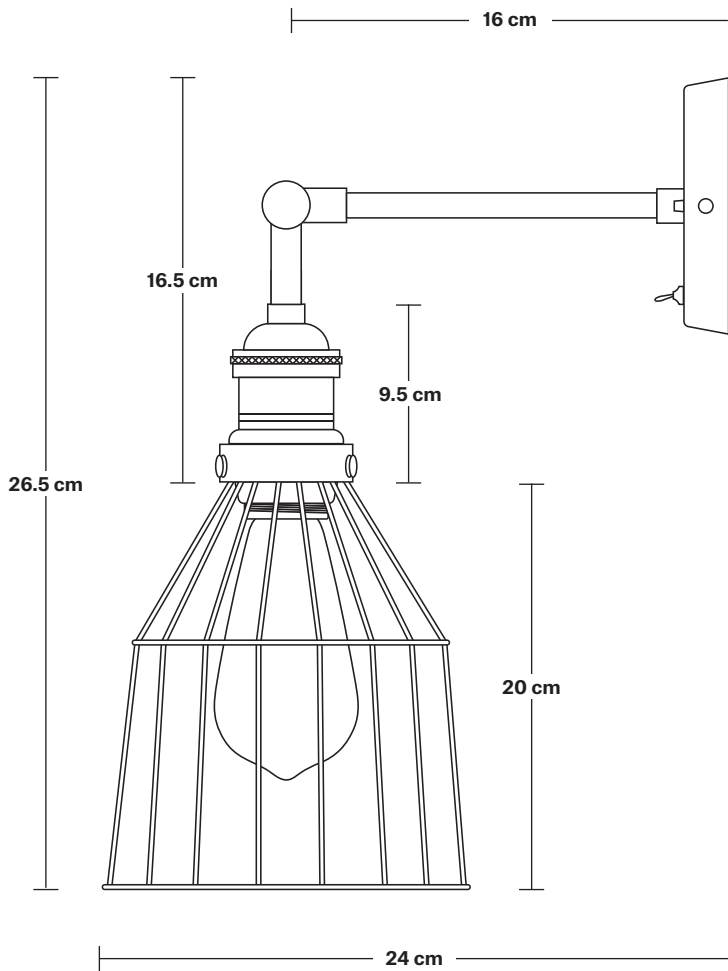


Brooklyn Cage Wall Light - 6 Inch - Cone

Product Code: BR-WCWL6-CN

H: 26.5 cm x W: 16 cm x D: 24 cm



SPECIFICATIONS

We meet all UK and EU lighting and safety regulations.

Our products are hand finished to ensure an authentic vintage look and therefore they may vary slightly from those shown in the images.

Bulb required: Standard screw (E27) fitting, max 40W.

Shade weight: 0.24 kg | **Holder weight:** 0.6 kg

Maximum weight: 0.84 kg

INFORMATION

Finishes: Rusty and Pewter.

Ready to be installed, installation required.

Wall mount screws not included.

The lights can be operated by both the flick switch or the main switch.

Holders available: Brass, Pewter and Copper.

Wall mount: Pewter.

DIMENSIONS

Shade Diameter: 16 cm / 6.3"

Shade Height (no holder): 20 cm / 7.8"

Holder Diameter: 6 cm / 2.5"

Holder Height: 18 cm / 7.1"

Wall Rose Diameter: 12 cm / 4.9"

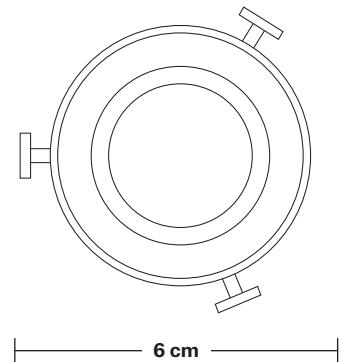
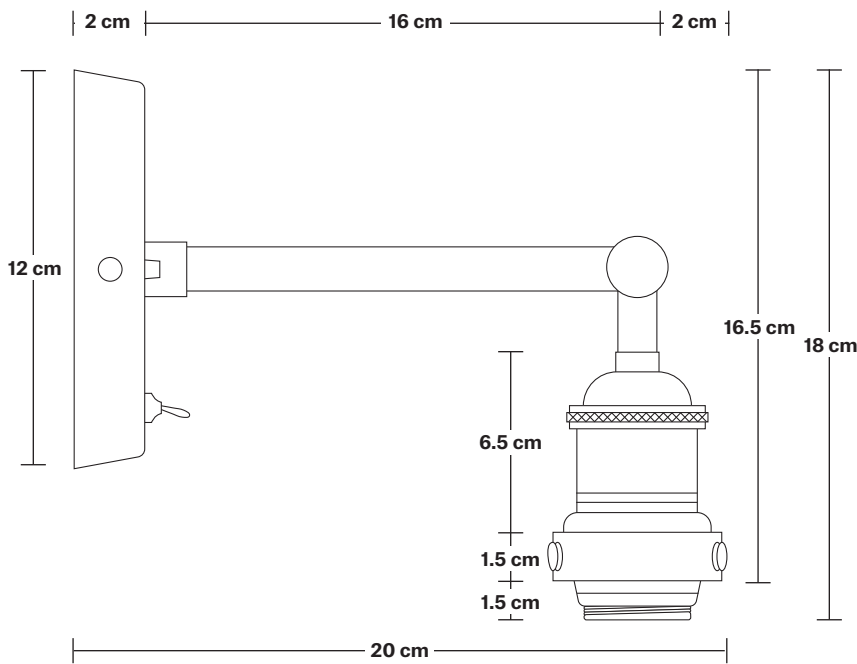
Wall Rose Height: 2 cm / 0.8"

INDUSTVILLE

Brooklyn Wall Light Holder

Product Code: BR-WL

H: 18 cm x W: 12 cm x D: 20 cm



SPECIFICATIONS

We meet all UK and EU lighting and safety regulations.

Our products are hand finished to ensure an authentic vintage look and therefore they may vary slightly from those shown in the images.

Bulb required: Standard screw (E27) fitting, max 40W.

Weight: 0.6 kg

INFORMATION

Finishes: Brass, Pewter and Copper.

Ready to be installed, installation required.

Wall mount screws not included.

Wall mount rose: Pewter.

DIMENSIONS

Holder Diameter: 6 cm / 2.5"

Holder Height: 18 cm / 7.1"

Projection: 20 cm / 7.9"

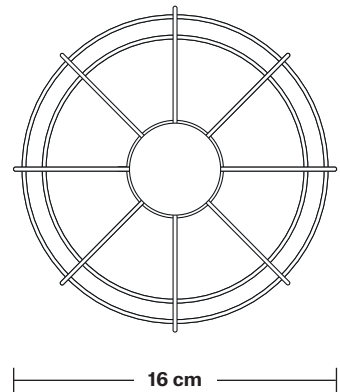
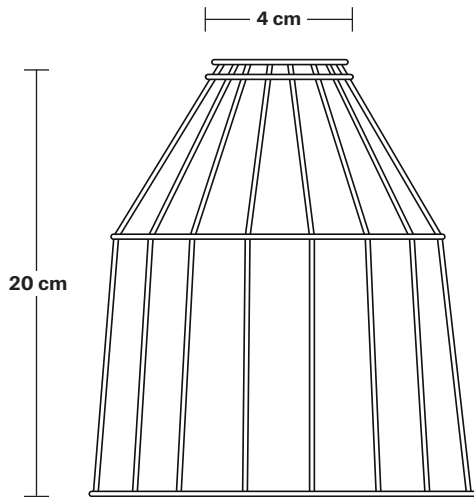
Ceiling Rose Diameter: 12 cm / 4.9"

Ceiling Rose Depth: 2 cm / 0.8"

Cage - 6 Inch - Cone - Shade Only

Product Code: WC6-CN-SO

H: 20 cm x W: 16 cm x D: 16 cm



SPECIFICATIONS

We meet all UK and EU lighting and safety regulations.

Our products are hand finished to ensure an authentic vintage look and therefore they may vary slightly from those shown in the images.

Bulb required: Standard screw (E27) fitting, max 40W.

Shade weight: 0.24 kg

INFORMATION

Finishes: Rusty and Pewter.

Ready to be installed, installation required.

Wall mount screws not included.

DIMENSIONS

Shade Diameter: 16 cm / 6.3"

Shade Height (no holder): 20 cm / 7.8"

Wire Cage - 6 Inch - Pewter - Cone

Shade Only

Wire Cage - 6 Inch - Cone - Shade Only

WC6-P-CN-SO

Brooklyn Wire Cage Pendant - 6 Inch - Pewter - Cone

Brooklyn Wire Cage Pendant - 6 Inch - Pewter - Cone - Brass Holder

BR-WCP6-P-CN-BH

Brooklyn Wire Cage Pendant - 6 Inch - Pewter - Cone - Pewter Holder

BR-WCP6-P-CN-PH

Brooklyn Wire Cage Pendant - 6 Inch - Pewter - Cone - Copper Holder

BR-WCP6-P-CN-CH

Brooklyn Wire Cage Flush Mount - 6 Inch - Pewter - Cone

Brooklyn Wire Cage Flush Mount - 6 Inch - Pewter - Cone - Brass Holder

BR-WCFM6-P-CN-BH

Brooklyn Wire Cage Flush Mount - 6 Inch - Pewter - Cone - Pewter Holder

BR-WCFM6-P-CN-PH

Brooklyn Wire Cage Flush Mount - 6 Inch - Pewter - Cone - Copper Holder

BR-WCFM6-P-CN-CH

Brooklyn Wire Cage Wall Light - 6 Inch - Pewter - Cone

Brooklyn Wire Cage Wall Light - 6 Inch - Pewter - Cone - Brass Holder

BR-WCWL6-P-CN-BH

Brooklyn Wire Cage Wall Light - 6 Inch - Pewter - Cone - Pewter Holder

BR-WCWL6-P-CN-PH

Brooklyn Wire Cage Wall Light - 6 Inch - Pewter - Cone - Copper Holder

BR-WCWL6-P-CN-CH
