

5. TIPS FOR USING THE ION BINDING

CLEAR ICE AND SNOW

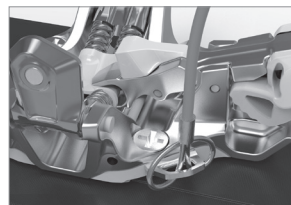
- a. Before every descent, make it your practice to check for and clear any snow under the toe assembly (*P*) and heel assembly (*Q*) prior to skiing. After stepping into the toe, and before locking the heel down into ski mode, it's recommended to pivot the boot on the toe pins a couple of times, to ensure any ice in the boot inserts gets cut away.

USING YOUR POLE TO CLEAR SNOW

- b. Your ski pole can be used to clear snow from the binding (*R*).
Note: Do not scratch the binding while doing this.

SWITCHING FROM TOUR MODE TO SKI MODE USING YOUR SKI POLE

- c. You can use the end of your pole to lever off your boot to switch the heel from ski tour mode into ski mode (*S*).
- d. To connect the ION leash to its connector on the toe of the binding, connect the wire loop end of the ION leash by pushing the loop through the connector. Then pull the carabiner through the wire loop and snug it up.



Leash connected to binding connector

- e. When using the ION leash, clip the carabiner either directly to your boot buckle, or to the included wire loops which you can girth hitch to larger boot buckles. When in avalanche terrain, or somewhere you do not want to be leashed-in stow the leash by clipping it to itself by the leash clip or remove it from the binding.



Girth Hitch to Buckle

Important Warnings

- a. The release setting requires a specialized understanding of multiple factors. Adjustments to release settings should only be made by an authorized dealer. Any improper adjustment of release setting by any unauthorized person will put the skier at risk of injury and void the warranty.
- b. Any custom modifications to the binding will invalidate the warranty, and could put the skier at risk of injury.
- c. Prior to each use the binding should be checked for any broken parts, correct release function, and contamination. If anything is defective or broken please return the binding to an authorized dealer for service.
- d. Since skiing has inherent risks, do not overestimate your ability when describing your skiing level to the authorized dealer who will set your release setting. If in doubt, underestimate your ability, and return to the authorized dealer to have an increase in retention made.
- e. Skiing the G3 ION binding without a ski brake or a ski leash can put others at risk, as well as risk the loss of the ski and binding. A ski brake alone is not sufficient to protect against the loss of a ski in deep snow. The use of a ski leash is not recommended in avalanche terrain.
- f. Ski touring is a demanding sport in which environmental conditions and terrain can change quickly and be hazardous. Obtain proper training and rescue equipment before ski touring, and don't overestimate your abilities. Always make use of all available weather and avalanche condition information prior to touring. Never ski tour under the influence of any drug or mind changing substance.
- g. Never ski tour alone.
- h. Due to the exposure to environmental conditions that are common during ski touring (ice, snow, water, dirt) the release setting may change. Extended or incorrect storage can also affect release setting. At the start of each season, the release setting should be checked using specialized equipment at an authorized dealer.
- i. Specialized alpine touring boots with "TECH" inserts are required for use with G3 ION bindings. Any non compliant boot or excessively worn "TECH" inserts can alter the release setting. The boot is an integral part of the release system. The release setting should be checked using specialized equipment at an authorized dealer with the intended boot(s) for use.
- j. During transport, bindings can become contaminated with salt, dirt and other contaminants that can alter or impair the release function. Cover your bindings during transport to reduce this risk.
- k. Any unintended use of the binding will void the warranty, and could put people at risk.
- l. Use only genuine G3 accessories for ION bindings to ensure that the release setting or any other design feature is not compromised.
- m. Do not use a leash when in avalanche terrain.

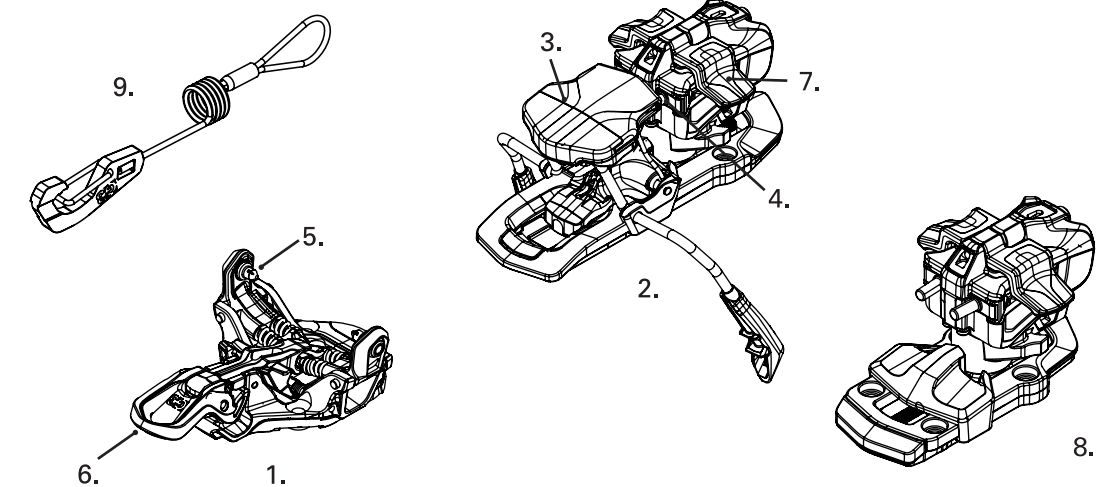
Boot Compatibility

- a. The ION bindings are only compatible with alpine touring ski boots (ISO 9523) with Tech compatible inserts.
- b. Bellowed touring boots or NTN type boots with TECH inserts are not currently supported; the flex creates an unpredictable release environment.
- c. For the most current information, videos and instructions on mounting and using your ION bindings go to <http://www.genuineguidegear.com>.
- d. For full G3 product warranty details please visit: <http://www.genuineguidegear.com/service/g3-product-warranty>.

ION OPERATING INSTRUCTIONS

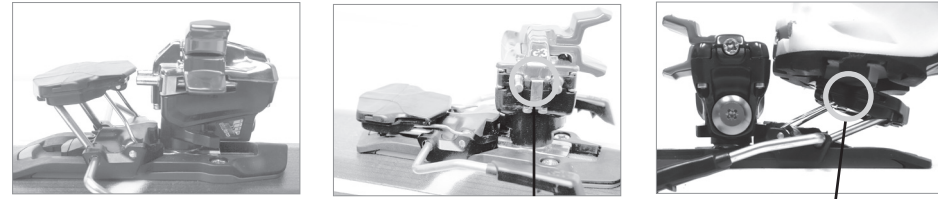
Models: ION 10, ION 12, ION LT12

1. Toe Assembly
2. Heel Assembly - ION 10 & 12
3. Brake - ION 10 & 12
4. Heel Pins
5. Toe Pin
6. Toe Tour Mode Lever
7. Heel Lift
8. Heel Assembly - ION LT12
9. Leash (ION LT12 Only)



G3

ION



ION heel in ski mode. **A** Pins are facing to the side. **B** Press brake down. **C** (ION 10 & 12 only)

1. SWITCHING FROM SKI MODE TO TOUR MODE

CHANGING THE HEEL ASSEMBLY INTO TOUR MODE

- To change the heel assembly from ski mode (A) into tour mode (B), the heel assembly needs to be rotated so that the heel pins face to the left or to the right (B). It helps to depress the brake a little to avoid catching your fingers as you rotate the heel.
Note: It is very important to ensure that the heel assembly is rotated firmly into the touring position (ie. Feel it click into place where it can't be rotated further).
- Prior to stepping into the toe of the binding, push down on the toe lever with a ski pole to ensure that the toe assembly is in 'step in position'. Then, click into the toe of the binding by directing the center of the boot toe downwards towards the 'BootStop' on the binding. When positioned correctly, the toe pins in the binding jaws will snap tightly into the tech inserts in the toe of your boot.
- Once the boot is in the toe piece, step firmly down onto the brake to lock it into tour mode.



Step in position. **D** Boot toe positioned to BootStop. **E** ION toe in ski tour mode. **F**

CHANGING THE TOE ASSEMBLY INTO TOUR MODE

- Before stepping into the ION binding the toe assembly should be placed in the 'step in position'. The toe assembly should be oriented with the toe tour mode lever pushed down and the jaws open (**D**).
- Once the toe assembly is in 'step in position,' step into the jaws with a forward sliding motion from the rear, rather than from directly above (**E**).
- When in tour mode it is recommended to lock out the toes. Do this by lifting the toe tour mode lever until it is at the tightest setting (**F**).

Note: The G3 ION binding is only recommended to be skied with the toe tour lock lever unlocked in 'ski' mode. If the product is skied with the tour mode lock in place you are effectively removing the safety release features of the binding (as well as release functions in avalanche conditions), and putting yourself at risk of injury or death. Skiing the binding this way could void your warranty should you damage the binding in the event of a fall.

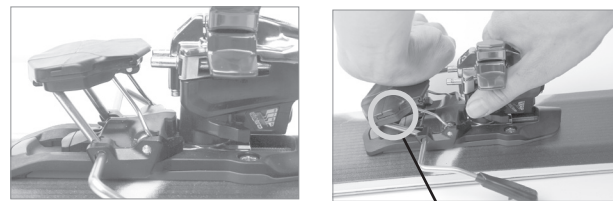


ION heel, low angle terrain **G** ION heel, medium angle terrain **H** ION heel, high angle terrain **I**

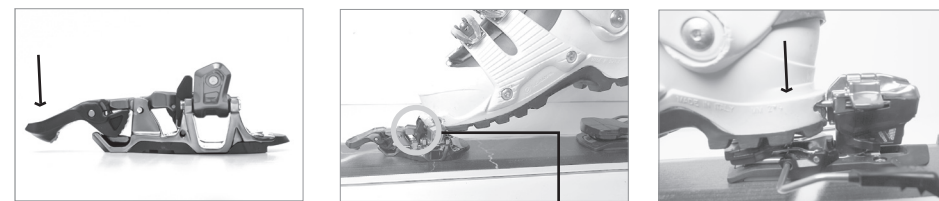
2. USING THE HEEL LIFTERS

- The ION binding has 3 different levels of heel lifters for when you are climbing. When you are on flat terrain orient the binding with the heel lifters to the back (**G**).
- For moderately steep terrain, orient the binding with one of the heel lifters flicked forward (**H**). It can be flipped into place with either a hand or a ski pole.
- For steep terrain, orient the binding with both of the heel lifters flicked forward (**H**). They can be flipped into place with either a hand or a ski pole.

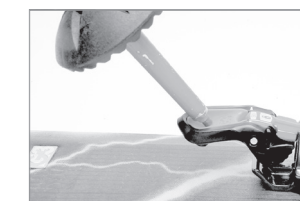
ION 10 & 12 ONLY



ION heel, brake up. **J** Press brake down. **K**



ION Toe, step in position. **L** Boot toe positioned to BootStop. **M** Step down. **N**



Press down to open the ION toe **O**

3. SKI MODE

ROTATING FROM TOUR MODE INTO SKI MODE

- ION 10 & 12 - When rotating the heel assembly from tour mode into ski mode hold the brake down with one hand and rotate the heel with the other. The heel rotation is aided by springs, keep your hand away from the pins as they quickly rotate forward. When correctly in ski mode, the pins will be facing forward and the brake will be deployed.
Note: Hold the brake down while rotating the heel, to prevent catching your fingers (K).
- ION LT12 - When rotating the heel assembly from tour mode into ski mode, hold the ski with one hand and rotate the heel with the other. The heel rotation is aided by springs, keep your hand away from the pins as they quickly rotate forward. When correctly in ski mode, the pins will be facing forward.

STEP IN POSITION

- Before stepping into the ION binding the toe assembly should be placed in the 'step in position'. The toe piece should be oriented with the toe lever pushed down and the jaws open (**L**). After a release from the binding, it is necessary to switch the binding back to the step-in position before stepping back into the binding.
- Once the toe piece is in the 'step in position', step your boot into the jaws with a forward sliding motion from the rear, aimed at the central BootStop (**M**). That is a more effective entry angle than trying to enter the binding directly from above.
- Once the toe piece has snapped firmly into the boot toe inserts, step your heel down firmly and the heel pins will engage with the boot heel insert. You are now correctly in ski mode (**N**)

Note: The G3 ION binding is only recommended to be skied with the toe tour lock lever unlocked in 'ski' mode. If the product is skied with the tour mode lock in place you are effectively removing the safety release features of the binding (as well as release functions in avalanche conditions), and putting yourself at risk of injury or death. Skiing the binding this way could void your warranty should you damage the binding in the event of a fall.

4. STEPPING OUT OF THE ION BINDING

- To step out of the binding, simply press down on the tour mode lever with your pole or your hand and raise your boot toe out of the binding (**O**). Pivot your boot toe to either the left or right to release the boot from the bindings heel pins.

