



Relief Hook Rail

Hook rail from the Relief assortment. Available in three different sizes reflecting the widths of the chests of drawers from Relief. The smallest is 41 cm, the medium-sized is 82 cm, and the largest is 123 cm.

About the designers – TAF

Founded in Stockholm in 2002, TAF Studio is run by Gabriella Lenke and Mattias Ståhlbom. The duo are interior designers and product concept designers. They have achieved international acclaim with a portfolio of work spanning touring exhibitions, interior design and a number of commercially successful products for different prestigious manufacturers. The studio has been exhibited at MoMA and its designs are now part of the permanent collections of Nationalmuseum in Stockholm and the Danish Design Museum in Copenhagen.

Product dimensions

Small: W: 41 cm, H: 5,2 cm, D: 4,7 cm

Medium: W: 82 cm, H: 5,2 cm, D: 4,7 cm

Large: W: 123 cm, H: 5,2 cm, D: 4,7 cm

Package dimensions

Small: W: 42 cm, H: 6 cm, D: 5 cm. Weight: 0,46 kg.

Medium: W: 83 cm, H: 6 cm, D: 5 cm. Weight: 0,88 kg.

Large: W: 124 cm, H: 6 cm, D: 5 cm. Weight: 1,32 kg.

Weight recommendation

2 kg load per hook.

Materials and colours

Powder coated aluminium, with a bracket in steel.

Production

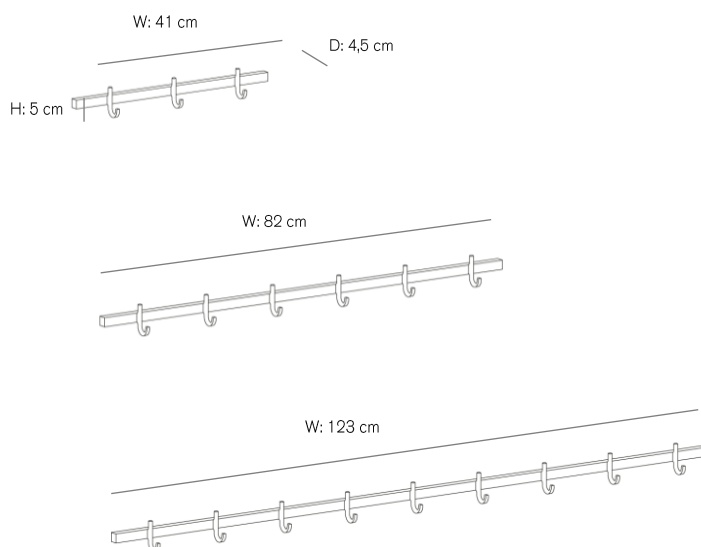
Made in Sweden and China.






Sustainability

The hook rail is made of the recyclable materials aluminum and steel.

Care and maintenance

Wipe the surface with a cloth. Damp wipe with detergent solution. Then rub dry with a cloth. Remove stains with detergents that do not contain abrasives. Never use steel wool.



	White RAL 9016
	Grey RAL 7043
	Beige NCS S 2005-Y20R
	Orange NCS S 1080-Y70R
	Ash colour NCS S 2020-Y30R