

## Product Information

mawa®

LED




### wittenberg 4.0 SURFACE-MOUNTED SPOTLIGHT **wi4-ab-1k**

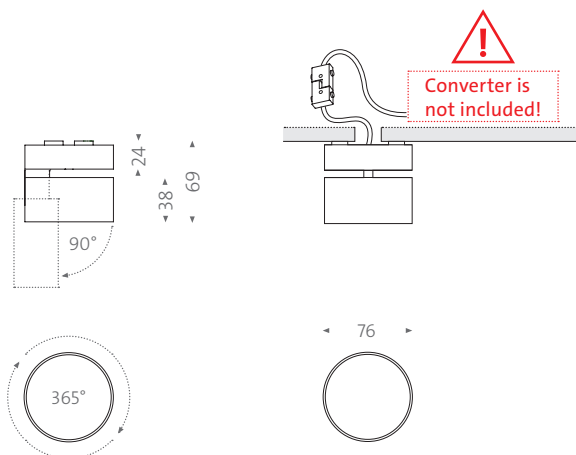
Cylindrical light head with minimalist design – no visible screws disturb the elegant appearance.

The wittenberg 4.0 luminaire series achieves high luminous efficacy with compact dimensions, low energy consumption and a large, well glare-free light emission surface.

Aluminum housings in standard colors are powder-coated. Production of individual custom lights on request. With the extensive selection of accessories – interchangeable optics, LSD-special diffusers, honeycombs and shutters – the beam angle and light control can be finely adjusted.

A bayonet catch fastens the light head in the housing and allows for quick partial exchange.

-  white matt (RAL 9016)
-  black matt (RAL 9005)
-  chrome



#### wi4-ab-1k

Design: Jan Dinnebier

Engineering: mawa

Aluminium housing powder-coated,

Spotlight 365° rotatable and 90° tiltable

#### LED module standard:

1 × LED, 12,7 W, Ra > 90 (typ. 92)

Light color / luminous flux: 2700 K / 1100 lm,  
3000 K / 1200 lm, 4000 K / 1350 lm

Life time LED standard:

L90 (10 k) > 61.000 h (IES LM-80 / TM-21)

#### LED module dim2warm:

1 × LED, 12 W, Ra > 95 (typ. 97)

Light color / luminous flux: 1800–3000 K / 1045 lm,

Life time LED dim2warm:

L80 (10k) > 50.000 h (IES LM-80 / TM-21)

special light colors and

High CRI (Ra > 95 (typ. 98)) on request

Protection class: IP20

#### Exchangeable lenses with beam angle:

12°, 24°, 38° (exchangeable by means of vacuum cup or silicone pad)

#### converter not included

Weight: 450 g

Product series type approved by 

LDC on [mawa-design.de](http://mawa-design.de) under Lighting