

Product Information

mawa®

LED

seventies 70's DOWNLIGHT se-33

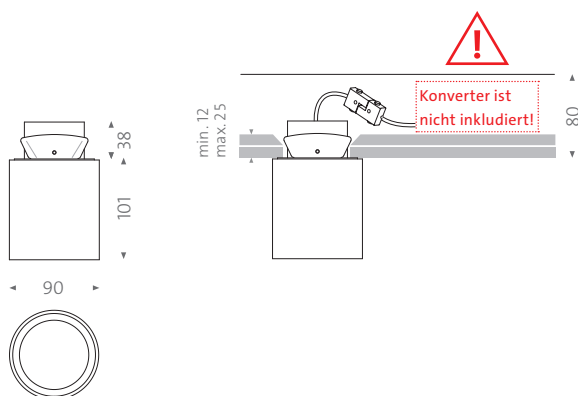
seventies 70's Serie – the power pack among the luminaire series meets the highest lighting requirements, with the smallest construction volume and without visible connections.

With this volume light output, mawa sets a new standard for high quality lighting and staging of objects in museums and shops.

The heat sink is securely bound to the housing, increasing the available cooling surface, thereby providing optimal mass to surface cooling conditions. Three high performance reflectors 16°, 22° and 30° with an efficiency of 90% are available for selection. Thanks to a protected mawa technology, these are exchangeable with the help of a glass suction cup. The retainer is delivered standard in black for RAL 9005 (black matt) or in silver for RAL 9016 (white matt). The retainer ring is delivered standard in anodized black for RAL 9005 (black matt) or in silver for RAL 9016 (matt white).



- white matt (RAL 9016)
 - black matt (RAL 9005)
- individual RAL colors on request



Ceiling cutout:
ø min. 70 – max. 75 mm

se-33

Design: Jan Blieske, Jan Dinnebier

Engineering: mawa

Aluminium housing powder-coated,

LED module:

25 W, Ra > 90 (typ. 92)

Light color / luminous flux: 2700 K / 3024 lm,
3000 K / 3160 lm, 4000 K / 3255 lm,

Life time LED standard:

L90 (10k) > 55.000 h (IES LM-80 / TM-21)

on request Retail Lighting LED-Unit up to
Ra > 95 (typ. 97)

beam angle:

spot 16°, medium 22°, flood 30° (standard),

Control gear exklusive

Weight: 900g

LDC on mawa-design.de under Lighting