

**LIGHT SOURCE**

LED quantity	126
Power max	14W
Total lumen output (3000K)	670 lm
Efficacy lm/W (3000K)	48 lm/W
CRI	>80 – >90
LED Temperature	2700K - 3000K – 3000K CRI>90 - 4000K
Average operational life	50.000 hours

**OPTIC**

Material	Polycarbonate
Available optics	Opal glass
Beam direction	Fixed
Flux symmetry	Symmetrical

**FIXTURE**

Material	Aluminum, Tempered glass
Available finishes	Powder coated: 7 - White H - Black K - Corten 4Q- Agate gray 4A- Antracite gray MF- Moka B6 - Intense bronze
IP Rate	IP67
Working Temperature	-20° ÷ +40°
Integrated fixing Systems	-

**ELECTRICAL FEATURES**

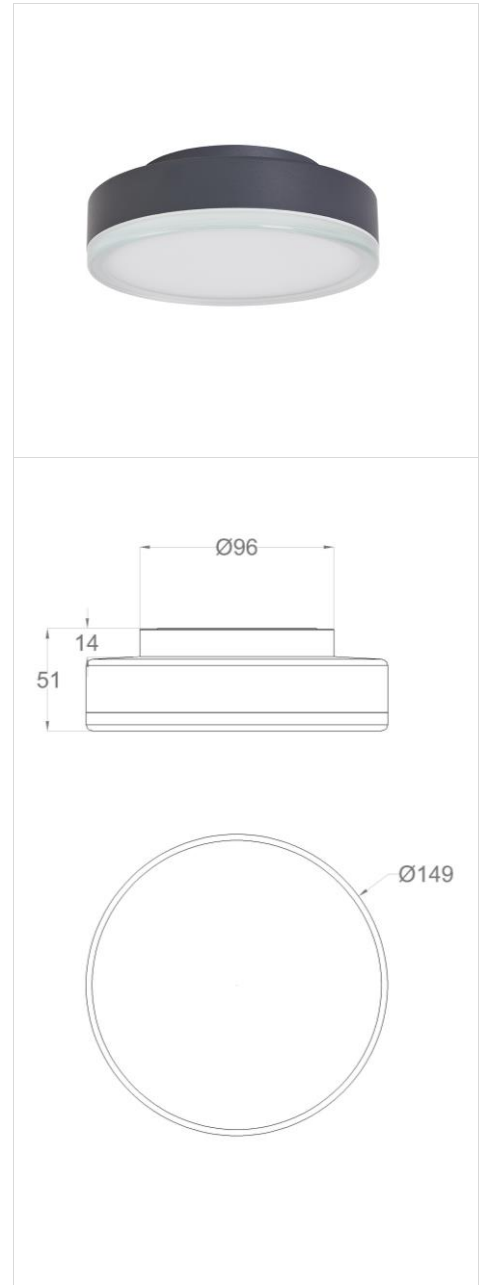
Driver	Remote
Dimmable	Push, 1-10V, DALI
Connection	In parallel at 24Vdc
Class	III

**MECHANICAL FEATURES**

Dimensions	Ø149 x 51 mm
Weight	1130 gr
Installation	Wall, ceiling mounting
Cut-out	-
Use	Outdoor

**ACCESSORIES**

Visors	-
Filters	-
Box/ Frame	-
Fixing system	-



**PHOTOMETRIC DATA**

Opal glass – 6W						
H(m)	D(m)	E <sub>max</sub> (lx)	E <sub>av</sub> (lx)			
<b>110°</b>						
<u>0.60</u>	1.82	654	160			
<u>1.20</u>	3.64	163	40			
<u>1.80</u>	5.47	73	18			
<u>2.40</u>	7.29	41	10			
<u>3.00</u>	9.11	26	6			

**NOTES**

---



---