

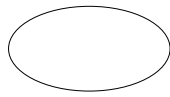
Standing Frame

Standing Frame consists of two pieces of acrylic glass, four sides made of either untreated wood or aluminium, and a rubber band.

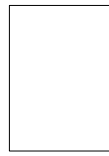
Our frames are designed to fit most sizes of photos, prints or postcards, and to accommodate different surface textures.

Due to variations in temperature and humidity, subtle changes in the acrylic glass may cause your artwork to move in the frame. If this happens, we suggest flipping the two pieces of acrylic glass inside out or using a small piece of tape or neutral glue to hold your artwork in place. You can also make your artwork thicker by placing an additional piece of paper behind it.

Standing Frame



x1



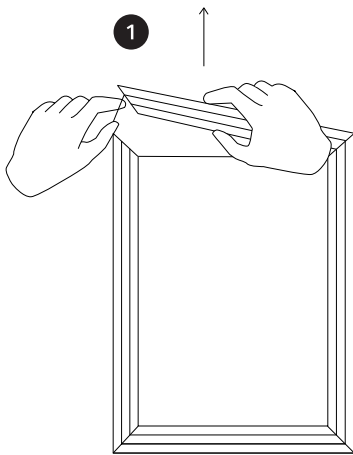
x2



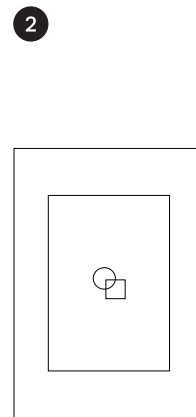
x2



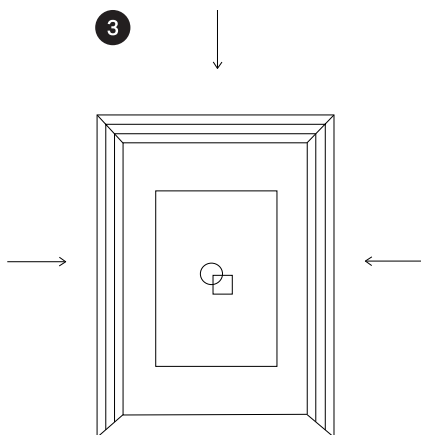
x2



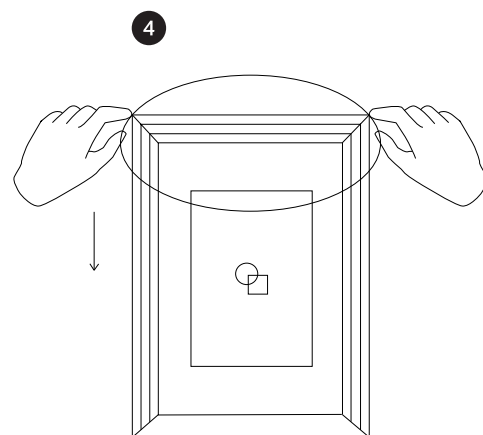
To disassemble Standing Frame, pull one of the corners apart and remove the rubber band.



Place the artwork between the two pieces of glass.

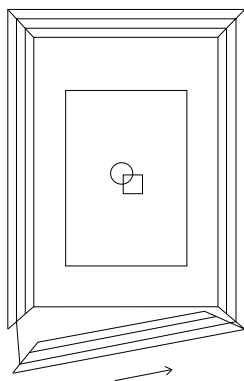


Add three sides to the glass.



Pull the rubber band around the sides.

5



Insert the last side to complete the frame.

6

