

Dining Table

We hope very much that you are going to be happy with your new Dining Table for many years to come. In the following pages you will find out how to assemble and look after your new piece of furniture.

Taking care of your Dining table

Wood

Your table has been treated with a clear, water based lacquer.

The lacquer will protect the table from water, coffee, soda, wine and other common liquids spilled on a dining table. If you need to clean the table do so with a damp cloth using a mild detergent if needed.

Do not leave the table wet or soaked for longer periods of time and always remember to dry it off after cleaning.

Brass

The brass fittings on your dining table have been left untreated and will become darker and patinate over time. Should you wish, the brass can be restored to a polished finish using common metal polishes available in eg. hardware stores.

Keep it going forever

Your table is made of separable parts. This means that should you at some point wish to replace the table top with a bigger or smaller top – or a top with another surface, this is easily done. No need to buy an entirely new table, you can easily buy a new top from us – or if you prefer buy one locally.

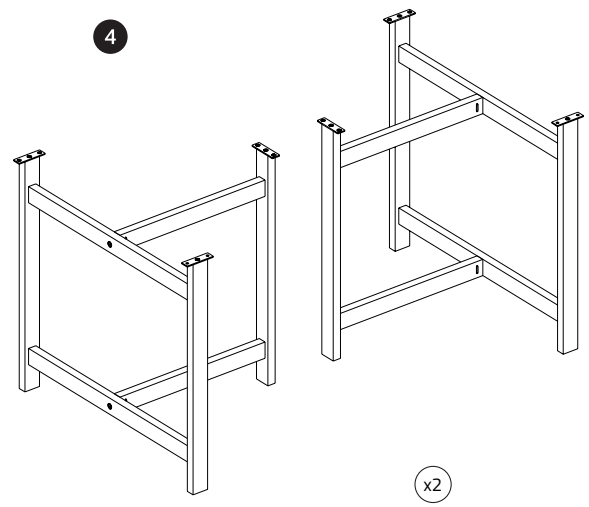
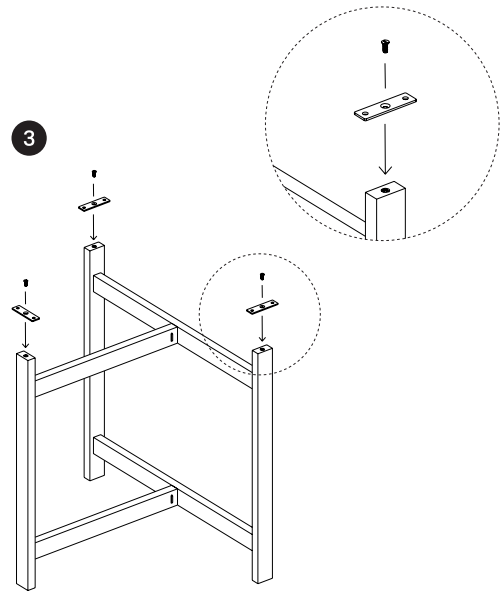
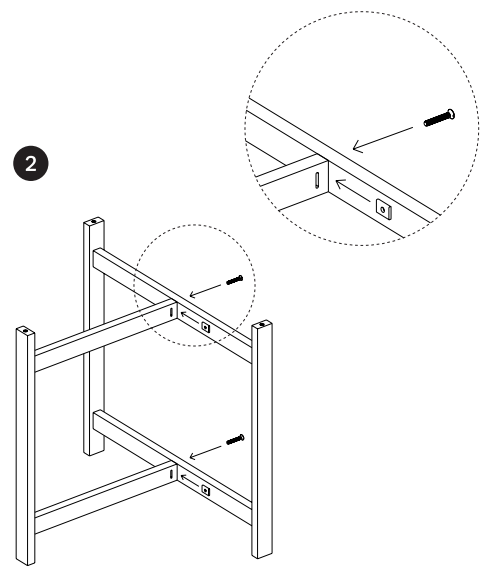
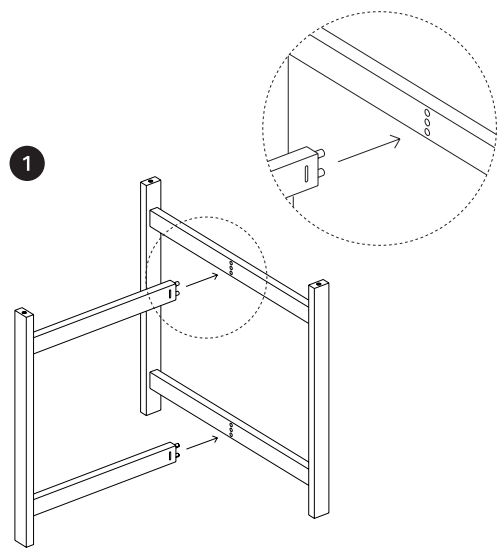
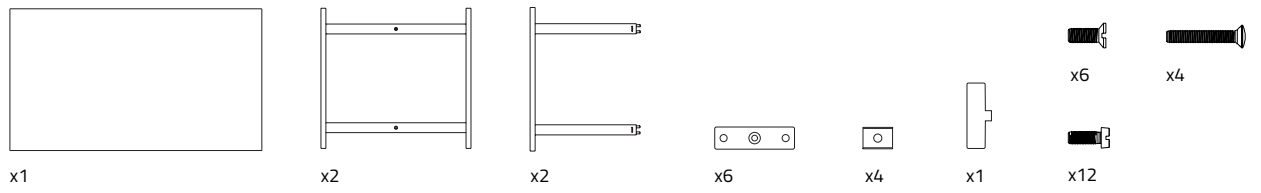
Even though your table is designed to last a lifetime, sometimes you can end up in a situation where you need to repair it. Don't fear. We make all of our designs easy and simple to repair. Simply head over to our website and navigate to the spare parts section and find the part you need. If you're in doubt, then we're only a phone call away. It should always be easier and cheaper to repair than buying new.

All of our designs are covered with a 5 year warranty from the date of purchase, covering any breakages related to deficient craftsmanship under normal everyday use.

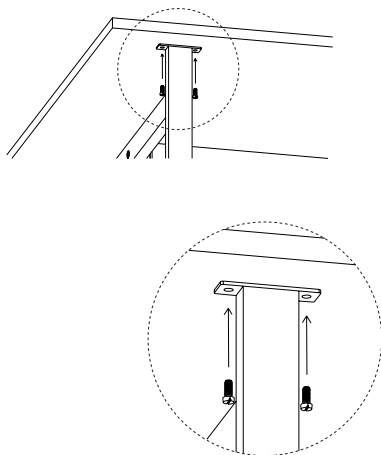
Recycling

Whilst we hope that your MOEBE table will serve you well for many years to come, if you do at some point wish to recycle it then it is easy to do so. Simply split the product down into its separate parts and recycle them by material. All parts can be recycled. How this is done depends on local regulations and facilities.

Rectangular Dining Table



5



6

