

Bed

Congrats on your new Bed!

We hope very much that you are going to be happy with your new Bed for many years to come. In the following pages you will find out how to assemble and look after your new piece of furniture.

Product description

The product at hand is a bed for domestic use.

If you have purchased the expandable version the bed can be made to fit mattresses between 90 cm and 180 cm wide.

The 90 cm bed is only made to fit 90 cm wide mattresses. If you wish you can later add an expander set and make the bed fit up to 180 cm wide mattresses also.

In both versions the bed is made for mattresses with a length from 180 cm to 200 cm.

Assembly

Please see the following assembly instructions or find them at www.moebe.dk

These instructions cover

Bed 90 cm
Bed Expander Set
Bed 90 cm – 180 cm
Bed Side Table
Bed Slats Ends Caps
Bed Slats

Taking care of your new Bed

Dust the frame with a soft, dry cloth or use a vacuum cleaner with a brush attachment. For deeper cleaning, wipe with a damp cloth and mild soap. Wipe of any liquid on the surface to prevent stains.

5 Year Warranty

We believe in what we do and in the quality of our products. That's why we give you a 5 year warranty. This guarantee covers any functional, material or manufacturing defect on any product you buy from us for private use.

Safety and durability

The bed is a piece of indoor furniture and should only be used as intended.

The durability and safety of this bed has been tested by the Danish Technological Institute according to the European standard for beds EN1725:1998 and has passed this test.

The bed comes without bed slats. You can buy slats for the bed through Moebe or add your own.

Spare parts – Keep it going forever

All our products are component based and have been designed this way to make repairs simple. You can find and purchase all spare parts for your product on www.moebe.dk for a period of at least 5 years after your purchase. It should always be cheaper and easier to repair, than buying new.

Recycling

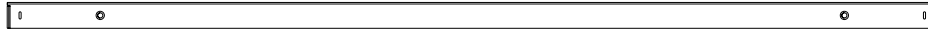
Whilst we hope that your MOEBE Bed will serve you well for many years to come, if you do at some point wish to recycle it then it is easy to do so. Simply split the product down into its separate parts and recycle them by material.

All parts can be recycled. How this is done depends on local regulations and facilities.



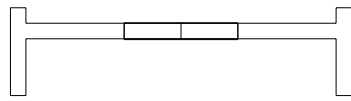
Bed 90 cm

Box 1



A x2

Box 2



B x2



F2 x4

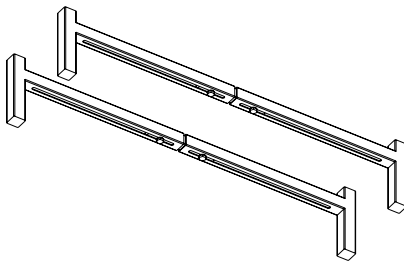


G1 x4

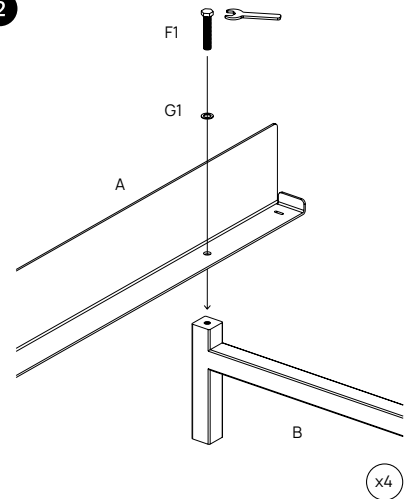


J x4

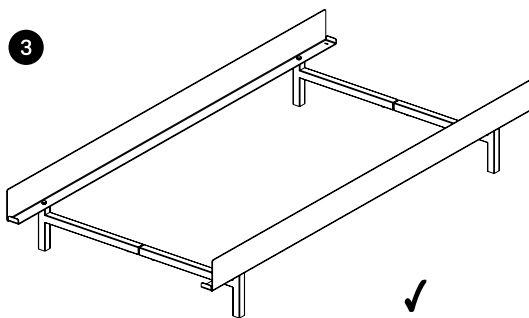
1



2



3





Bed Expander Set



C



Ex2



F1 x2



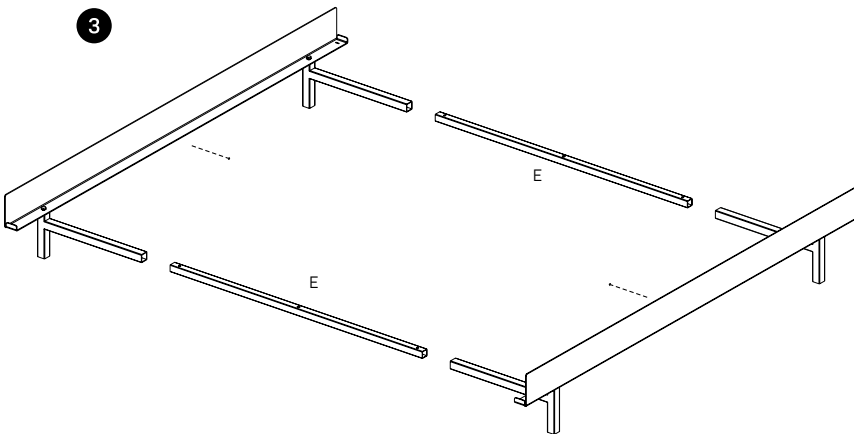
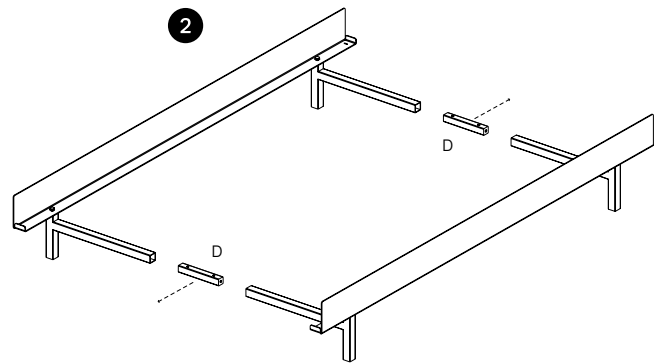
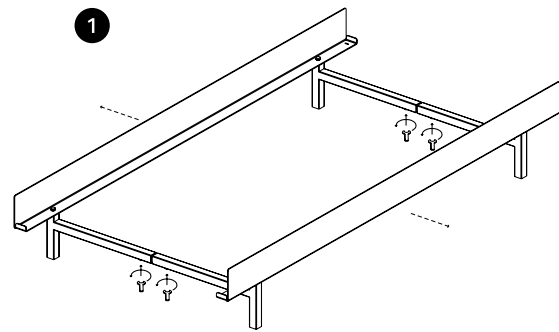
F2 x2

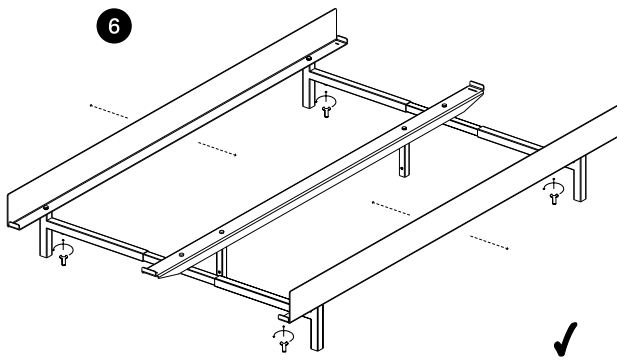
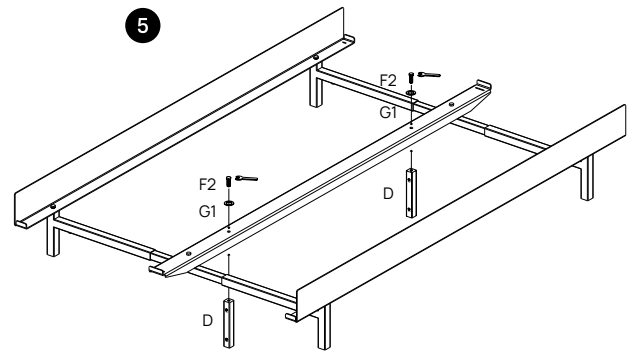
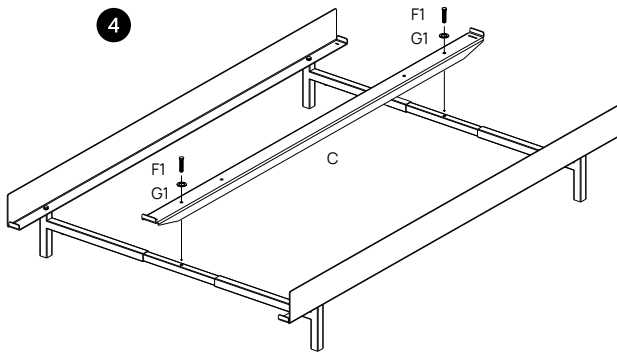


G1 x4



J x4







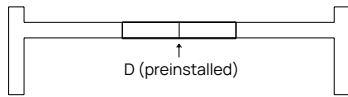
Bed 90 cm - 180 cm

Box 1



A x 2

Box 2



B x 2



F2 x 4



G1 x 4

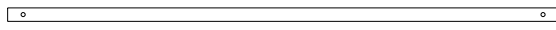


J x 4

Box 3



C x 1



E x 2



F1 x 2



F2 x 2

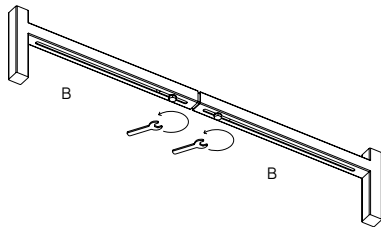


G1 x 4

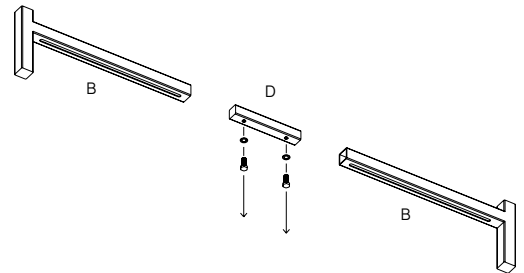


J x 4

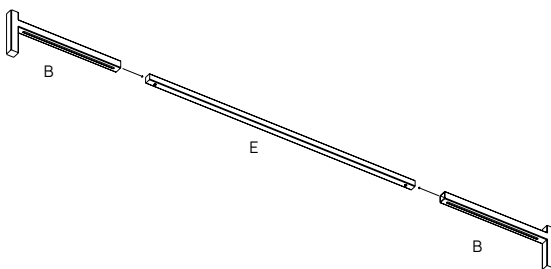
1



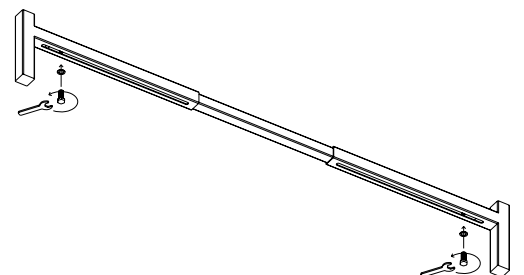
2

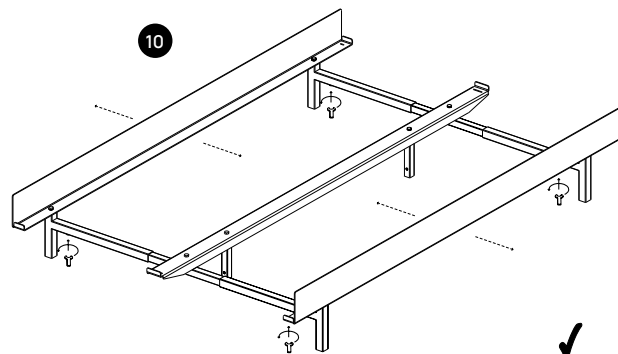
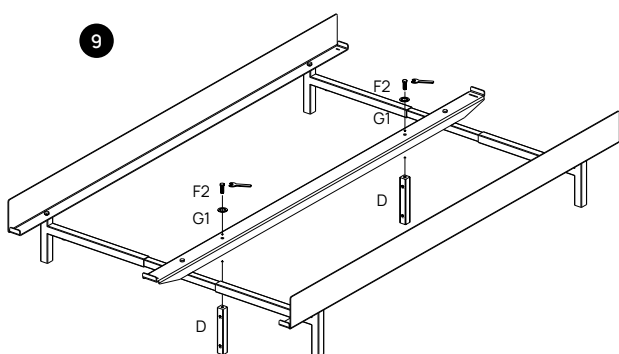
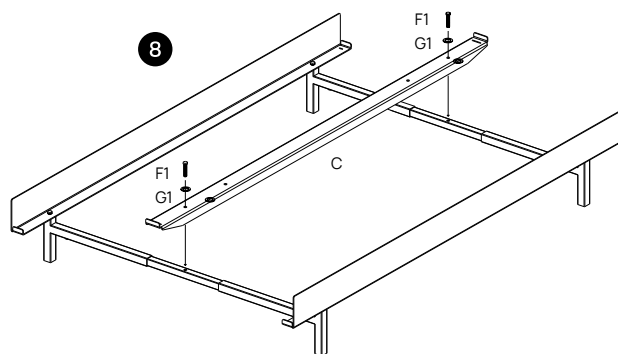
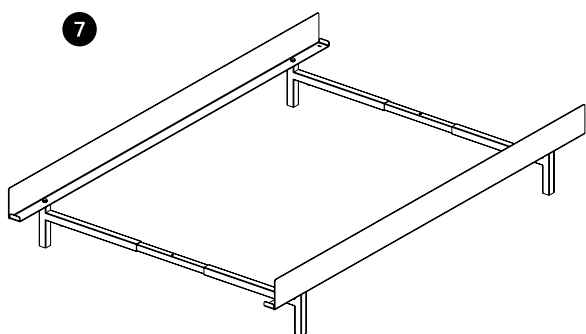
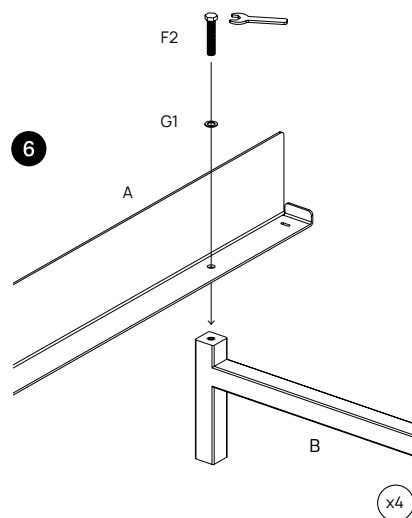
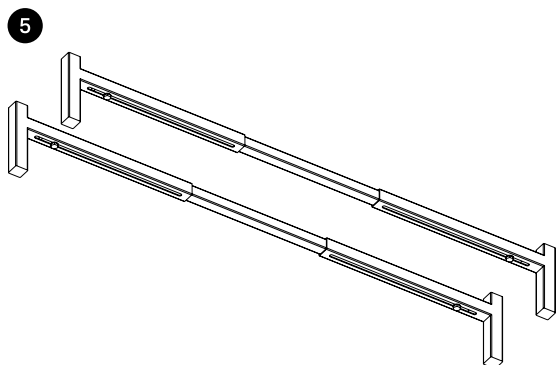


3



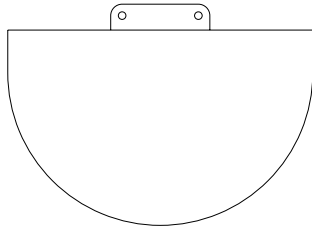
4







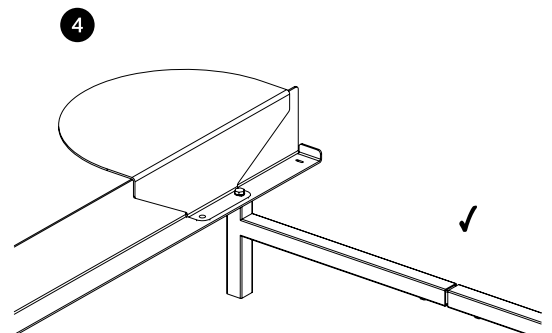
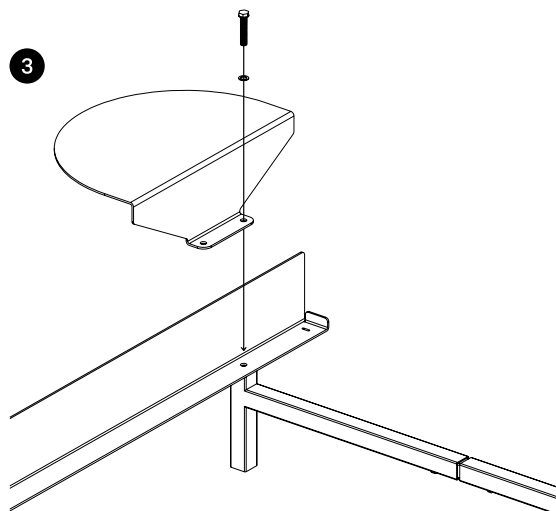
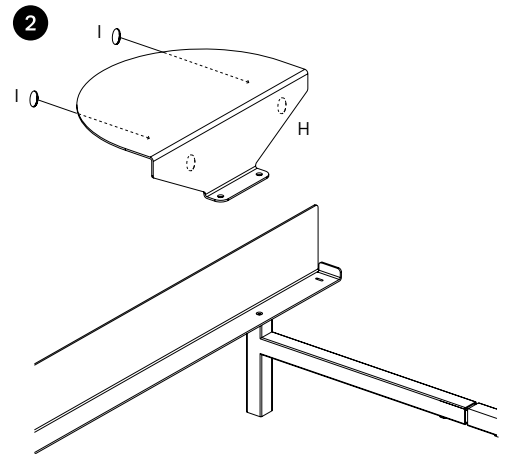
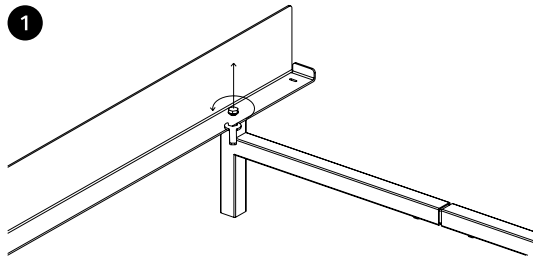
Bed Side Table



H x1



1 x2



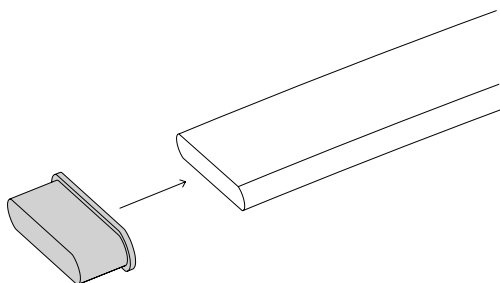


Bed Slats End Caps



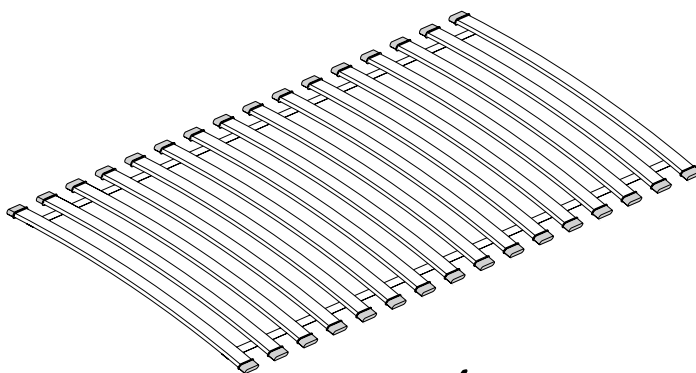
K

1

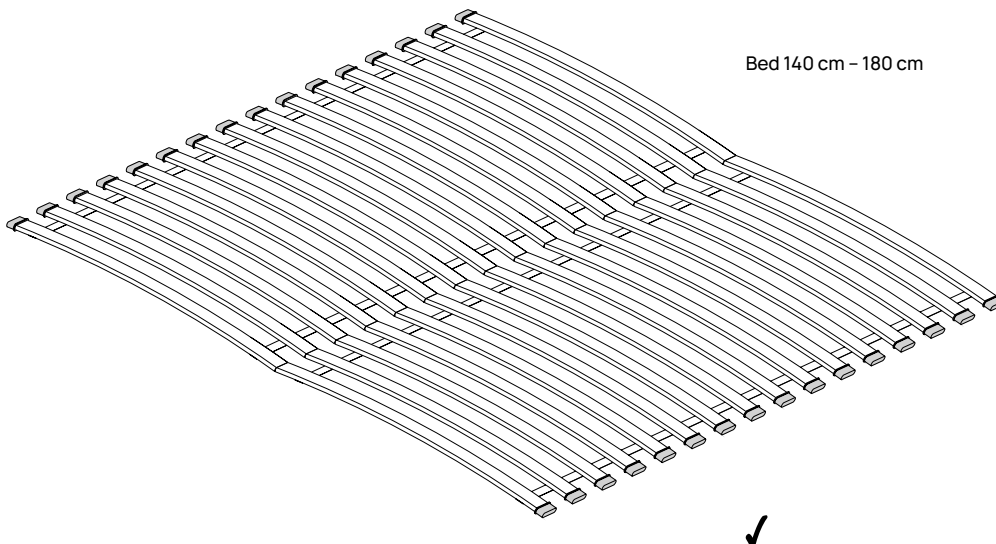


2

Bed 90 cm



Bed 140 cm - 180 cm





Bed Slats

