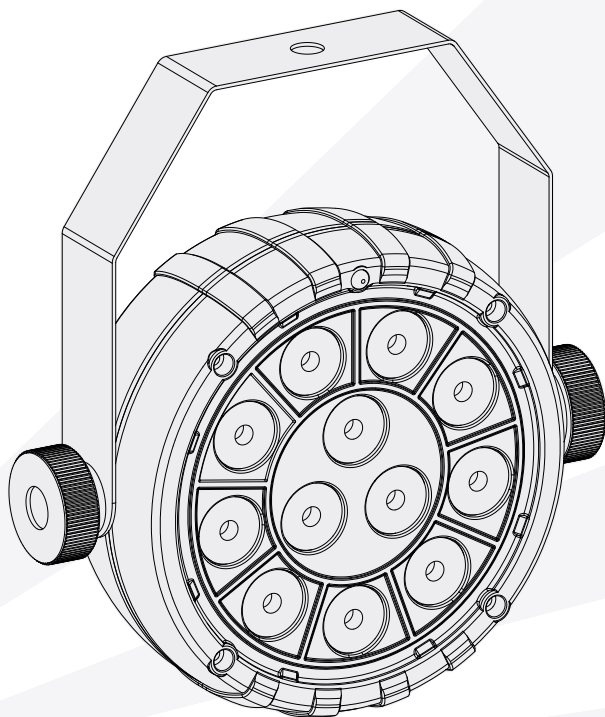


# KAM

INSTRUCTION MANUAL

## Mini Par 12 USB

KML409



Version 1.0



# Unpacking Instructions

---

## Read Manual before Operation

Before operating this device, please read the manual thoroughly, and retain for future use.

## Warning Data

Please note the warnings in bold which will ensure the safe and smooth operation. These warnings are important to a certain extent.



**Attention!** Indicates a skill or other useful information for special situations.



**Caution!** Prevent damage or injury from incorrect operation.

### Warning!

If the external flexible cable or cord of this luminaire is damaged, it should be replaced by a special cord or cord exclusively available from the manufacturer or his service agent.

Shields, lenses or ultraviolet screens should be changed if they have become visibly damaged to such an extent that their effectiveness is impaired, for example by cracks or deep scratches.

The lamps should be changed if it has become damaged or thermally deformed.

## Unpacking Instructions

Carefully unpacking the carton, checking contents to ensure that all parts are in good condition. Inform the shipper immediately and retaining packing material for inspection if any parts damaged from shipping or device damaged. Keep packing materials as evidence for shipper's confirmation.



**Attention!**






This unit is in perfect condition before delivery; please check all accessories when unpacking the unit. User should follow this user manual to operate this unit, and make sure that you are clear on all LED safety information and unit operation before power it on. Any wrong operation will make this unit out of warranty.

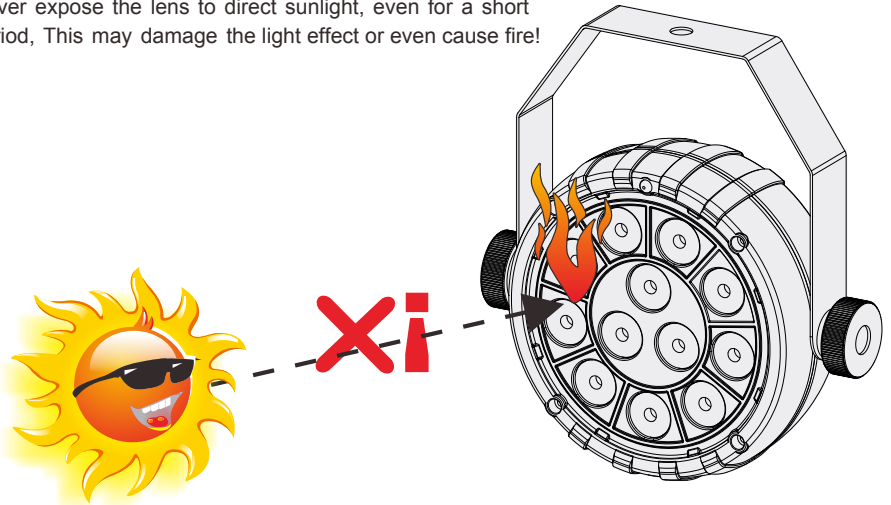
Carefully moving after receiving it, checking whether there is any damage from shipping, and all the accessories in it.

NAME	QTY
LED system	1set
Power Adaptor	1pc
USB A to Type-C cable	1pc
IR remote controller	1pc
User manual	1pc

# Safety Instructions

## Safety Instructions

-  To protect the environment, please try to recycle the packing material as much as possible.
-  The KML409 is for indoor use only, IP20. Use only in dry locations. Keep this device away from rain and moisture, excessive heat, humidity and dust. Do not allow contact with water or any other fluids, or metallic objects.
-  Don't throw this product away just as general trash, please deal with the product follow the abandon electronic product regulation in your country.
-  Locate the fixture in a well ventilated spot, away from any flammable materials and/or liquids. The fixture must be fixed at least 50cm from surrounding walls.
- ◆ To avoid condensation to be formed inside, allow this unit to adapt to the surrounding temperatures when bringing it into a warm room after transport. Condensation sometimes prevents the unit from working at full performance or may even cause damages.
- ◆ Don't cover any ventilation openings as this may result in overheating.
- ◆ Don't install it on flammable object.
- ◆ Don not use it when maximum ambient temperature is higher than 40 degree.
- ◆ Unplug the unit when it is not used for a longer time or before replacing the bulb.
- ◆ Don't open the top cover to avoid unit damage.
- ◆ Please use the original packing when the device is to be transported.
-  Never expose the lens to direct sunlight, even for a short period, This may damage the light effect or even cause fire!



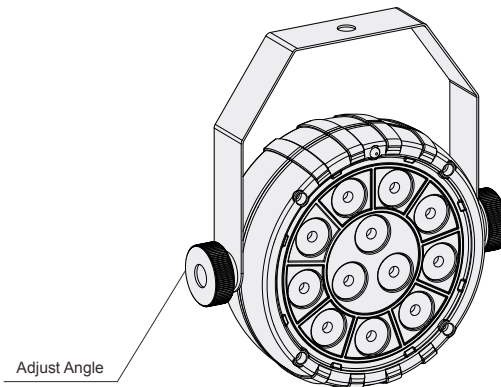
## Overhead Rigging

**Attention!** The installation must be carried out by qualified service personal only. Improper installation can result in serious injuries and /or damage to property. Overhead rigging required extensive experience! Working load limits should be respected, Certified installation materials should be used, the installed device should be inspected regularly for safety.

- ◆ Make sure the area below the installation place is free from unwanted persons during rigging, de-rigging and servicing.
- ◆ Locate the fixture in a well ventilated spot, far away from any flammable materials and/or liquids. The fixture must be fixed at least 50cm from surrounding walls
- ◆ The device should be installed out of reach of people and outside areas where persons may walk by or be seated.
- ◆ The device should be well fixed; a free swinging mounting is dangerous and may not be considered!
- ◆ Do not cover any ventilation opening as this may result in overheating
- ◆ Before the first time use, it must be inspected by professional staff to make sure safety, inspection regularly every year.



Before rigging make sure that installation area can hold the 10 times weight of device. Using the steel rope which can hold 12 times weight of device, through the eye-bolt for assisting hang installment.

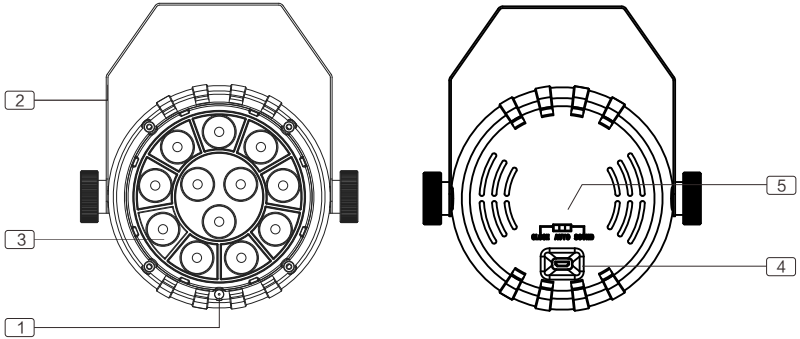


### Power Adaptor

Please use the included power adaptor and check that power outlet to make sure the input voltage and frequency are the same as the rated. This device can be powered by DC 5V/2A through USB Type-C plug that is most popular charger for mobile phones or other electronic devices.

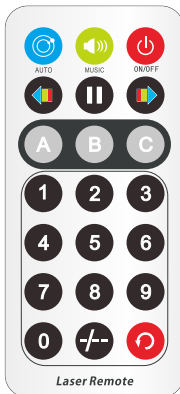
# Operation instructions














## Product diagram



No.	Name	Function
1	IR receiver	The receiver of remote controller
2	Hanging bracket	For hanging and angle adjustment
3	Lense	Color effect output
4	USB Type-C socket	Connect to the power adaptor or PartySet plug
5	Modes	Close/Auto/Sound

## IR Controller



-  Auto mode
-  Sound mode
-  ON/OFF
-  0 Green and Blue 30%
-  1 Red
-  2 Green
-  3 Green and Blue
-  4 Red and Green 30%
-  5 Blue
-  6 White
-  7 Red 55% and Green 30%
-  8 Red and White
-  9 Red and Green

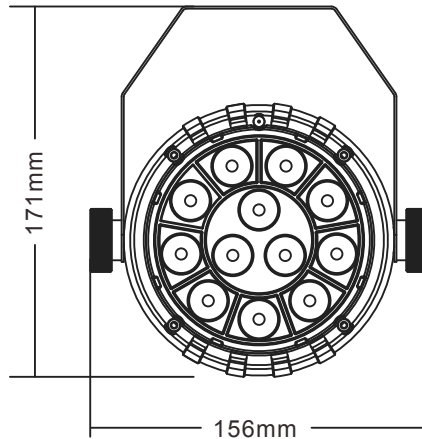
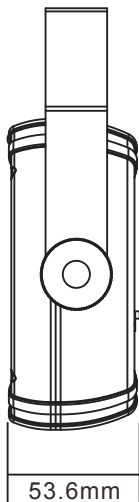
# Product Infomation

## Product description

The KAM KML409 is a fantasy LED effect light that includes powerful RGBW four-color LED to creates constantly rotating multicolor light beams. It can be used with fog or haze to create the party atmosphere and can be operated in Auto show, Sound activated or IR remote modes. It can work as one controlled unit of the PartySet system as well.

## Product parameter

Model	Mini Par-12 USB-C4
Light source	Red, Green, Blue, White
Operating modes	Auto/Sound/IR remote control
Dimensions	156×53.6×171mm
Weight	0.25kg
Power input	5V/2A USB Type-C
Power consumption	14W
Maximum working temperature	104°F(40°C)



UK DISTRIBUTOR  
**John Hornby Skewes & Co. Ltd.**  
Salem House, Parkinson Approach, Garforth,  
Leeds LS25 2HR, United Kingdom.  
[www.jhs.co.uk](http://www.jhs.co.uk)

Authorized EU Representative: Pieters Medical Agencies  
Spornelaan 19, 5407 ZP Veghel, Netherlands

©2022 JHS. Specifications are subject to change without prior notice. Made in China.