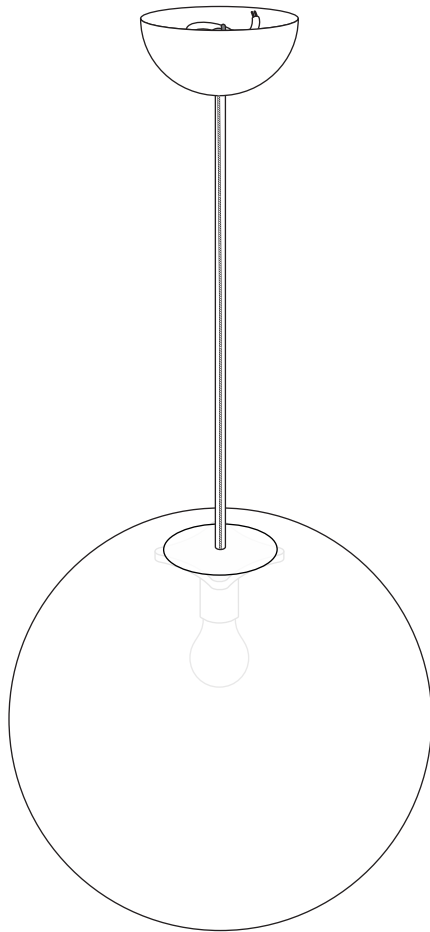


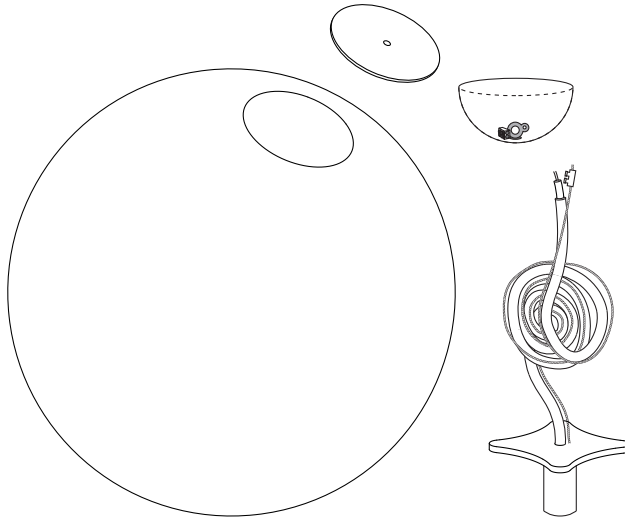
Design House
Stockholm



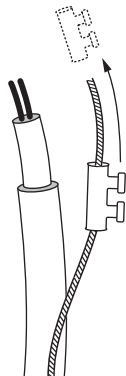
Assembly Instructions
Luna Lamp White (2484—0100),
(2485—0100) & (2652—0100)

WARNING If the external flexible cable or cord of this luminaire is damaged, it shall be exclusively replaced by the manufacturer or his service agent or a similar qualified person in order to avoid a hazard.

Components:



1



2

