

# MP09 ROUND SOAP DISPENSER

meir.®

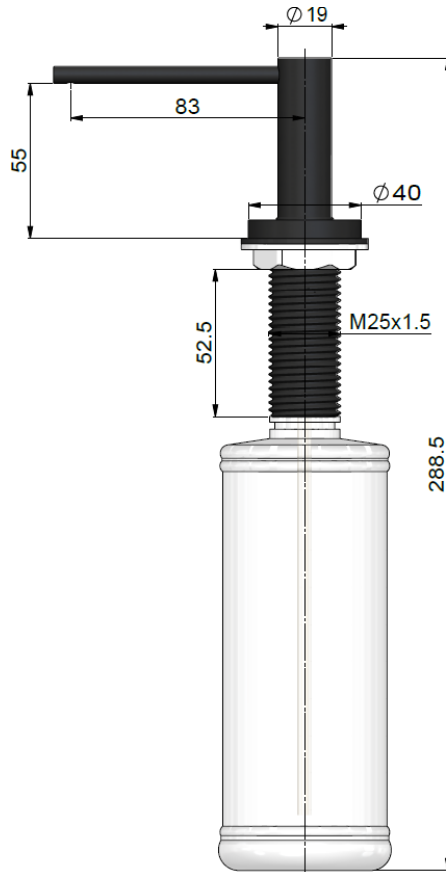
## FEATURES

- Refer to the Meir website for warranty terms & conditions, and available finishes.
- Solid stainless steel pump
- Box Weight **0.23 kg**

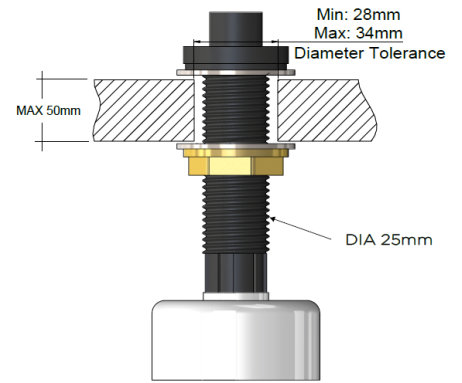
## CARE

- Do not install tapware using any form of acetone silicones.
- Do not apply physical items (such as tools) directly to product.
- Never use household or commercial detergents, citrus based cleaners, or abrasive cleaners.
- Clean using a mild washing soap solution rinsed, and dry with a soft cloth.
- Check for any product defects before installation.
- Refer to the installation manual for correct installation.

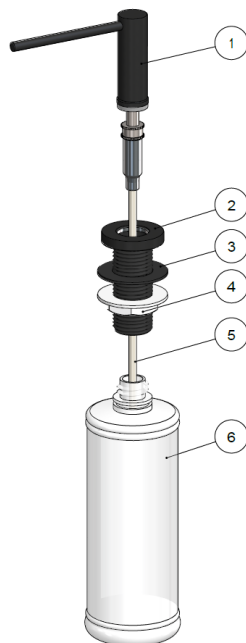
## SPECIFICATIONS



## TOLERANCES



## EXPLODED VIEW



| No. | Part Name | Qty. |
|-----|-----------|------|
| 1   | Spout     | 1    |
| 2   | Base      | 1    |
| 3   | Oring     | 1    |
| 4   | Hex Nut   | 1    |
| 5   | PE Tube   | 1    |
| 6   | Bottle    | 1    |

