

Table Top Heater

Instruction Manual



For outdoor use only

Total height: 925 mm

Maximum power: 3000 watt

Minimum power: 1400 watt

Please retain this manual for reference.

CE:

CAUTION

PLEASE READ CAREFULLY THE FOLLOWING SAFETY GUIDELINES BEFORE OPERATION.

This table top heater is for outdoor use only (see attached diagrammatical representations of outdoor areas).

This outdoor heater is not intended to be installed on recreational vehicles and/or boats.

The installation must conform to appropriate local standard regulations.

Repair to be carried out by authorized person.

Installation and repair should be done by a qualified service person.

Improper installation, adjustment, alteration can cause personal injury or property damage.

- Do not attempt to alter the unit in any manner.

Never replace or substitute the regulator with any regulator other than the factory-suggested replacement.

Remove transit protection before use.

Do not store or use petrol or other flammable vapors or liquids in the heater unit.

The whole gas system, regulator, Pilot or burner should be inspected for leaks or damage before use, and at least annually by a qualified service person.

All leak tests should be done with a soap solution. Never use an open flame to check for leaks.

Do not use the heater until all connections have been leak tested.

Turn off the gas valve immediately if smell of gas is detected.

Do not transport heater while it's operating.

Do not move the heater after it has been turned off until the temperature has cooled down.

Keep the ventilation opening of the cylinder enclosure free and clear of debris.

- Do not paint the radiant screen, control panel or top canopy reflector.

Control compartment, burner and circulation air passageways of the heater must be kept clean.

Frequent cleaning may be required as necessary.

Check the heater immediately if any of the following occurs:

- The heater does not reach temperature.

The burner makes popping noise during use (a slight noise is normal when the burner is extinguished).

Smell of gas in conjunction with extreme yellow tipping of the burner flames.

Avoid inhaling fumes emitted from the heater's first use. Smoke and odor for the burning of oils used in manufacturing will appear. Both the smoke and odor will dissipate after approximately 30 minutes.

Any guard or other protective device removed for servicing the heater must be replaced before operating the heater.

Adults and children should stay away from high temperature surface to avoid burns or clothing ignition.

Children should be carefully supervised when they are in the area of the heater.

Clothing or other flammable materials should not be hung on the heater or placed on or near the heater.

WARNING

THIS APPLIANCE SHALL NOT BE INSTALLED OR USED INDOORS.

- DO NOT PLACE ARTICLES ON OR AGAINST THIS APPLIANCE.
- DO NOT USE OR STORE FLAMMABLE MATERIALS NEAR THIS APPLIANCE.
- DO NOT SPRAY AEROSOLS IN THE VICINITY OF THIS APPLIANCE WHILE IT IS IN OPERATION.

WARNING

The user assumes all risk in the assembly and operation of the gas heater. Failure to follow the warnings and instructions in this manual can result in severe personal injury, death or property damage. If user cannot read or fully understand the instruction manual, please contact your dealer. Supplier will not be responsible for user's negligence.

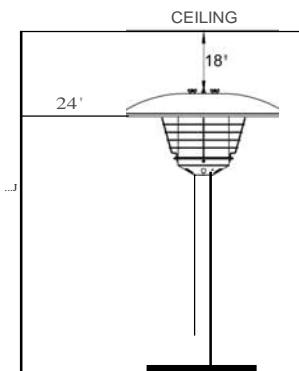
HEATER STAND AND LOCATION

The heater is primarily for outdoor use only (see attached diagrammatical representations of outdoor areas). Do not use it for indoors or in an enclosed area. Always ensure that adequate fresh air ventilation is provided.

Always maintain proper clearance of at least 90 cm from combustible materials.

Heater must be placed on flat, hard and level surface. Do not place heater on unstable surface.

Never operate heater in an explosive atmosphere like in areas where gasoline or other flammable liquids or vapors are stored.



GAS REQUIREMENTS

Use propane butane and LPG only.

Maximum inlet pressure of regulator must not exceed 100 PSI.

Regulator outlet pressure to be 28mbar to 50mbar depending on countries.

The regulator assembly must conform to local standard codes.

The installation must conform to local codes, or in the absence of local codes, to the standard for the storage and handling of liquid petroleum gases.

A dented, rusted or damaged gas cylinder may be hazardous and should be checked by your gas supplier. Never use a gas cylinder with a damaged valve connection.

The gas cylinder tank must be arranged to provide for vapor withdrawal from the operating cylinder.

Never connect an unregulated gas cylinder to the heater.

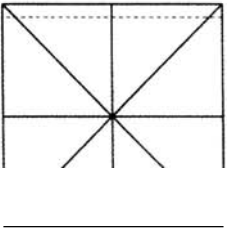
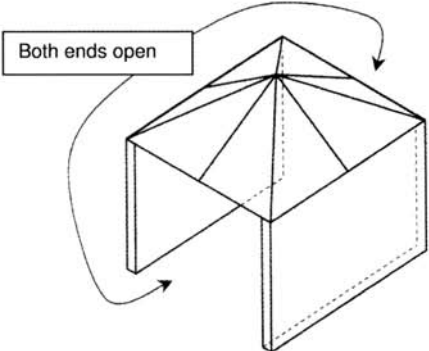
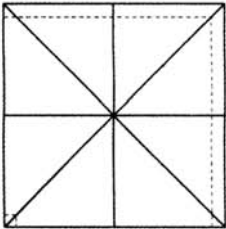
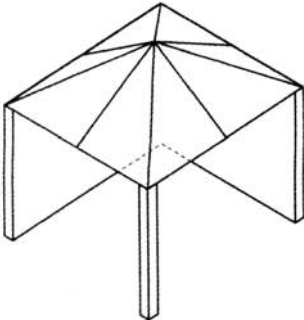
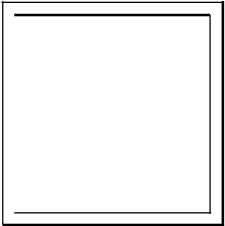
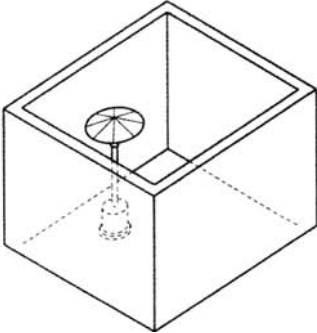
Disconnect the gas cylinder when the heater is not use.

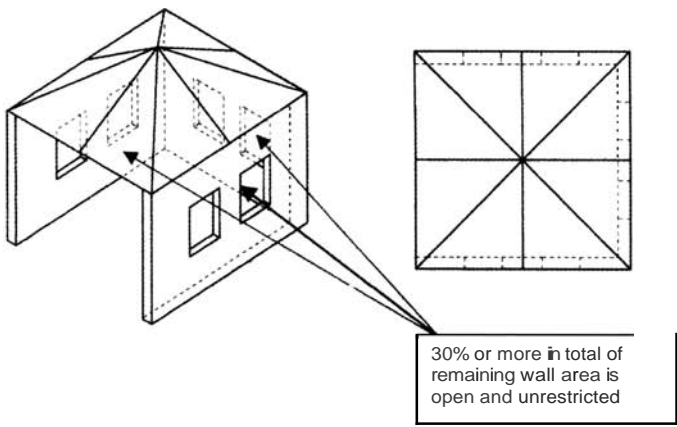
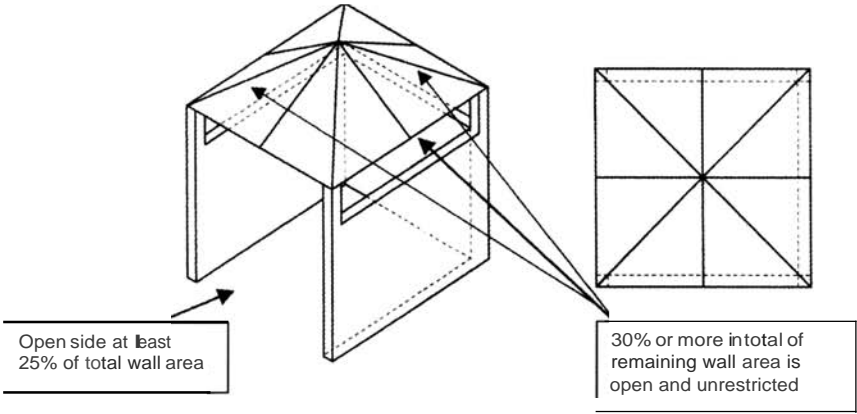
LEAKAGE TEST

Gas connections on the heater are leak tested at the factory prior to shipment. A complete gas tightness check must be performed at the installation site due to possible mishandling in shipment or excessive pressure being applied to the heater.

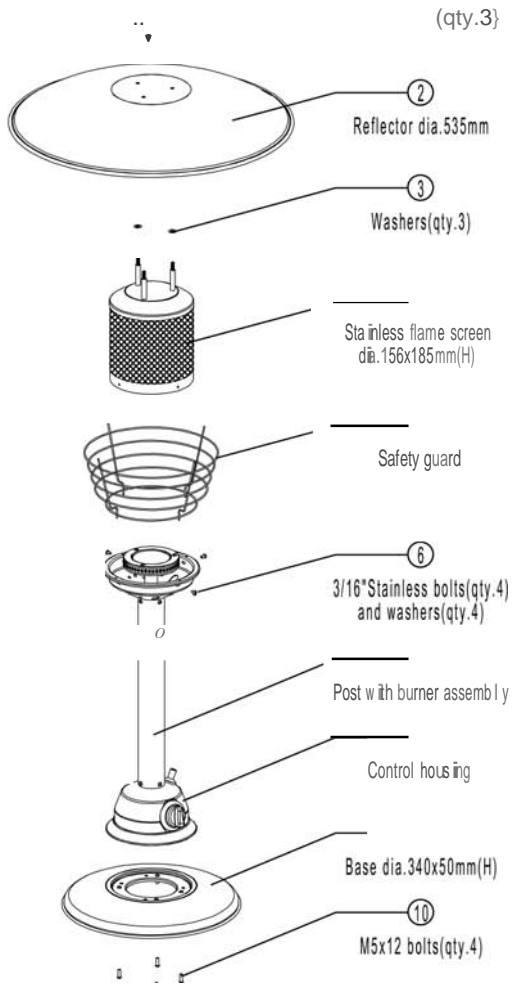
1. The heater must be checked with a full cylinder.
2. Make sure the safety control valve is in the OFF position.
3. Make a soap solution of one part liquid detergent and one part water. The soap solution can be applied with a spray bottle, brush or rag to all gas connections. Soap bubbles will appear in case of a leak.
4. With the gas valve knob in the "OFF" position, connect the disposable propane cylinder to the regulator fitting by turning the cylinder clockwise.
5. In case of a leak, remove the disposable propane cylinder and retighten the fitting where the leak appears. Reconnect the disposable propane cylinder and recheck. Use more soap solution on the gas connections if needed. If bubbles continue to appear after several attempts, contact your dealer or gas supplier for assistance.
6. Never leak test while smoking.

DIAGRAMMATICAL REPRESENTATIONS OF OUTDOOR AREAS





PARTS AND SPECIFICATIONS



A. Construction and characteristics

- Portable and easy assembly
- Piezo electric ignition
- Auto shutoff system
- Safety guard
- Stainless steel flame screen
- Heat emission from reflector

B. Specifications

- For outdoor use only
- Max. wattage: 3000 watts
Min. wattage: 1400 watts
Weight: Metal w/ powder coating 7 kgs
Stainless 6.5kgs
- Height: 925 mm
CSA CE approved

C. Country of destination and pressure

Country of destination:

BE-CH-ES-FR-GB-GR-IE-IT-PT

Cat.:13+ G30/G31

(Butane/Propane):28-30/37 mbar

Country of destination:CY-CZ-DK-EE-

FI-LT-LV-MT-NL-NO-SE-SI-SK-BG-RO-TF

Cat.:138/P G:30/G31

(Butane/Propane): 30 mbar

Country of destination:AT-DE

Cat.:138/P G50

(Butane/Propane): 50mbar

ASSEMBLY PARTS

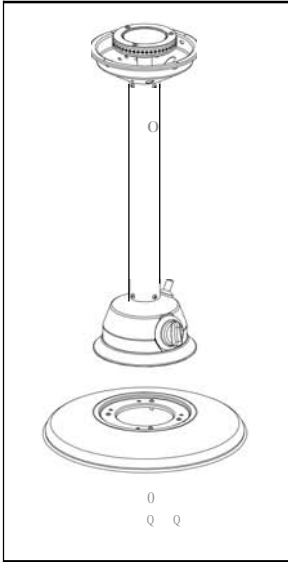
Tools needed:

- Adjustable opening wrench (2) 20 cm long
- Slip joint pliers 23 cm long
- Phillips screwdriver w/ medium blade
- Spray bottle of soap solution for leakage test

Parts supplied:

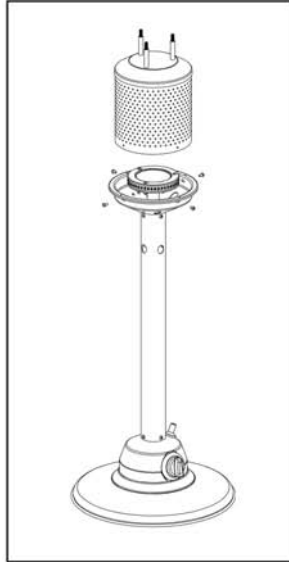
- Reflector 0535 mm x (0)70 mm w/ 3 pcs 06 mm washers, and 3 pcs M6 castle nuts
Stainless flame screen w/ 3 pcs 60 mm bolts
- 4 pcs 3/16" bolts for the flame screen and burner base
Safety guard
Post with burner assembly
Base and cast iron ring weight with 4 pcs M6x20 mm bolts

ASSEMBLY PROCEDURES



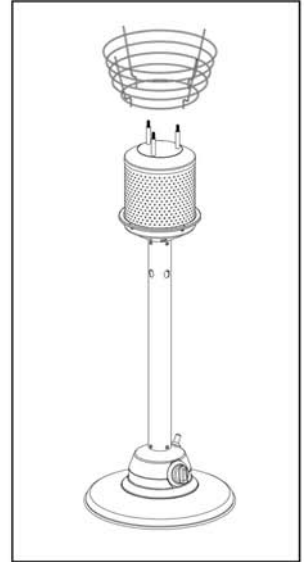
STEP 1

Attach the control housing and base with 4 pcs M5x12 bolts.



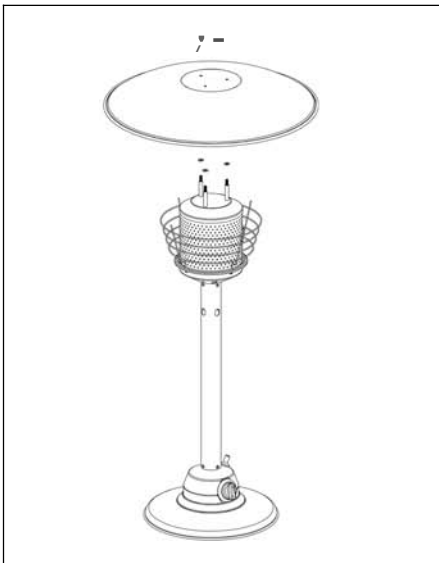
STEP 2

Attach flame screen to the base of burner using 3/16" bolts & washers.



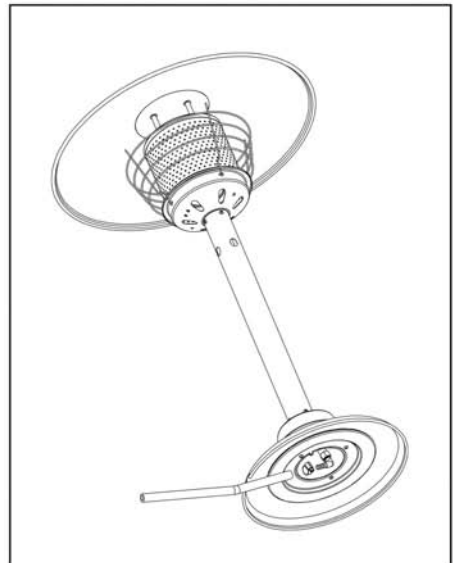
STEP 3

Fix the safety guard by inserting the shanks to the notches on the burner base.



STEP 4

Secure the reflector with 3 pcs washers & 3 pcs castle nuts.



STEP 5

Connect the gas hose with the heater

OPERATION

TO TURN ON THE HEATER

1. Turn on the valve on the gas supply cylinder.
2. Press and turn the control knob to ON position.
3. Press down the control knob and hold for 30 seconds.

While holding down the control knob, press the igniter several times until the pilot flame ignited. Release the control knob 10 seconds after the ignition.



Note:

- If a new tank has just been connected, please allow at least one minute for the air in the gas pipeline to purge out through the pilot hole. This is done by step 3.
- When lighting the pilot flame make sure that control knob is continuously depressed while pressing the igniter button. Control knob can be released after the pilot flame lit.
- If the pilot flame does not light or it goes out, repeat step 3.

4. Turn the control knob to minimum position and leave it there for 5 minutes or more before turning the knob to desired temperature setting.



Note:

- When the heater is on, the flame colour should be blue with slight yellow tipping. If the flames extend more than 5 cm above the surface of the emitter screen, or black soot is accumulating on the emitter screen, the heater should be turned off immediately and should not be operated again until repairs are done.
- After use, some discoloration of the flame screen is normal.
5. If the burner flame goes out accidentally or it is blown out by wind, turn off the heater and wait at least 5 minutes or more to let the gas dissipate before relighting to avoid gas explosion. Repeat steps 2 to 4.

WARNING

1. The whole gas system, hose, regulator, pilot or burner should be inspected for leak before use.
2. Check the hose assembly for sign of extreme abrasion, cuts or wears. Suspected areas should be leak tested. If the hose leaks, it must be replaced with a new one that conforms to local standard codes.
3. Make sure the ventilation opening of the cylinder enclosure, control compartment, burner and circulation air passageways of the heater are free and clear of debris. If debris, spider or insect nests are found, clean the holes with heavy-duty pipe cleaner or compressed air.
4. Always keep a dry chemical fire extinguisher readily available.
5. For safety, always allow a 5-minute complete shut off period before re-lighting a hot heater.

TO TURN OFF THE HEATER

1. Turn the control knob to ON position.
2. Press and turn the control knob to OFF position.
3. Disconnect the cylinder.



WARNING

Do not move the heater, or cover it with protective cover after it has been turned off until the temperature has cooled down.

STORAGE

Always close the gas valve of the gas cylinder after use or in case of a disturbance.

- Remove the pressure regulator and the hose attachment.

Cylinder must be stored outdoors in a well-ventilated area out of the reach of children.

Disconnected cylinder must have threaded valve plugs tightly installed and must not be stored in garage or any other enclosed area.

Storage of heater indoors is permissible only if the cylinder is disconnected and removed from the heater.

Check the tightness of the gas valve and for damage. If you suspect a damage, have it changed by your gas dealer.

Never store liquid gas cylinder in a sub-terrain, or at places without adequate air ventilation.

CLEANING AND CARE

Wipe off exterior surfaces with soft, moist rag and soap water. Do not clean heater with cleaners that are combustible or corrosive.

Remove debris, spider and insect nests from ventilation opening of the cylinder enclosure, control compartment, burner and circulation air passageways of the heater with heavy-duty pipe cleaner or compressed air to keep appliance clean and safe for use. Never clear ports or other openings with toothpicks or other article that will break and block the ports.

If carbon deposits develop, remove the reflector and flame screen and clean them with soap water. Do not paint the flame screen, control panel or reflector.

Cover the burner unit with the supplied protective cover when the heater is not in use. Wait until the heater is cool before covering. In a salt-air environment, such as near an ocean, corrosion occurs more quickly than normal. Check frequently for corroded areas and repair them promptly.

WARNING

1. Do not perform maintenance after heater has been turned off until the temperature has cooled down.
2. Do not expose the pilot, controllers and parts underneath the burner to water. Do not use the heater if any of these parts are exposed to water until the appliance is inspected or repaired by a qualified service person.

GENERAL SAFETY

Equip your home with at least one smoke detector on each floor.

Keep at least one dry-powder operative ABC-type fire extinguisher in the home at all times.

Keep areas around heat sources free of papers and trash.

Store paints, solvents, and flammable liquids away from all heat and ignition sources.

Develop a fire-escape plan before a fire occurs. Be certain every person understands the plan and is able to carry out the plan in case of emergency.

If your clothing does catch fire don't run. Drop down immediately and roll to smother the flames.

FIRST AID FOR A BURN

EYES

Seek medical attention IMMEDIATELY. Do not put ointments or liquids in eye.

ELSEWHERE

Consult a doctor if the burn is not healed in 24 hours, or the burn is larger than the size of a palm.

If serious, send promptly for an ambulance or a doctor.

If possible, run affected area under cold water, not ice or ice water, for 10-15 minutes if the skin is intact.

Cut and gently lift away any clothing covering the burned area, without pulling clothing over the burns.

Leave in place any clothing that is stuck to the burns. Do not put any creams or greases on the burned area.

If the casualty's hands or wrists have been burned remove jewelry if possible without causing further injury (rings, watches, and so forth) and place in his pockets. This prevents the necessity to cut off jewelry since swelling usually occurs as a result of a burn.

Do not pop any blisters. Cover the burn with a light gauze dressing.

If blisters pop, apply a light antibiotic ointment and dress as above.

PROBLEMS CHECK LIST

<u>PROBLEM</u>	<u>PROBABLE CAUSE</u>	<u>SOLUTION</u>
Pilot will not light	Gas valve may be OFF	Turn the gas valve ON.
	Cylinder fuel empty	Replace gas cylinder.
	Pilot injector blocked	Clean or replace pilot injector.
	Air in supply system	Purge air from lines by pressing the control knob until you smell gas.
	Loose connections	Check all fittings.
	Low gas pressure	Replace cylinder with a new cylinder.
Pilot will not stay on	Lack of fuel pressure	Keep the variable knob depressed for 10-20 seconds or more after the pilot light ignited. Cylinder near empty. Replace cylinder.
	Debris around pilot	Clean dirty area.
	Loose connections	Tighten connections.
	Thermocouple bad	Replace thermocouple.
	Gas leak inline	Check connections.
	Pressure is low	Tank near empty. Refill gas tank.
Burner will not light	Opening blocked	Remove and clean.
	Control is not ON	Turn valve to ON.
	Thermocouple bad	Replace thermocouple.
	Pilot light assembly bent	Place pilot properly.
	Not in correct location	Position properly and retry.
	Supply hose is bent or twisted	Straighten hose and perform leak test on hose.
Burner flame is low	Blockage in burner injector	Clean or replace burner injector.
	Low gas pressure	Let the pilot flame stay lit for 10 minutes before setting variable knob to LO.
Burner flame goes out immediately after ignition	Blockage in burner injector	Clean or replace burner injector.
	Base is not on a level surface	Place heater on a level surface.
	Low gas pressure	Replace cylinder with a new cylinder.
Emitter glows uneven	Blockage in burner injector	Clean or replace burner injector.
	Base is not on a level surface	Place heater on a level surface.
Thick black smoke	Low gas pressure	Replace cylinder with a new cylinder.
	Blockage in burner	Turn off the heater and let it cool. Remove blockage and clear burner inside and outside.
Carbon build-up	Dirt or film on reflector and flame screen	Clean reflector and flame screen.