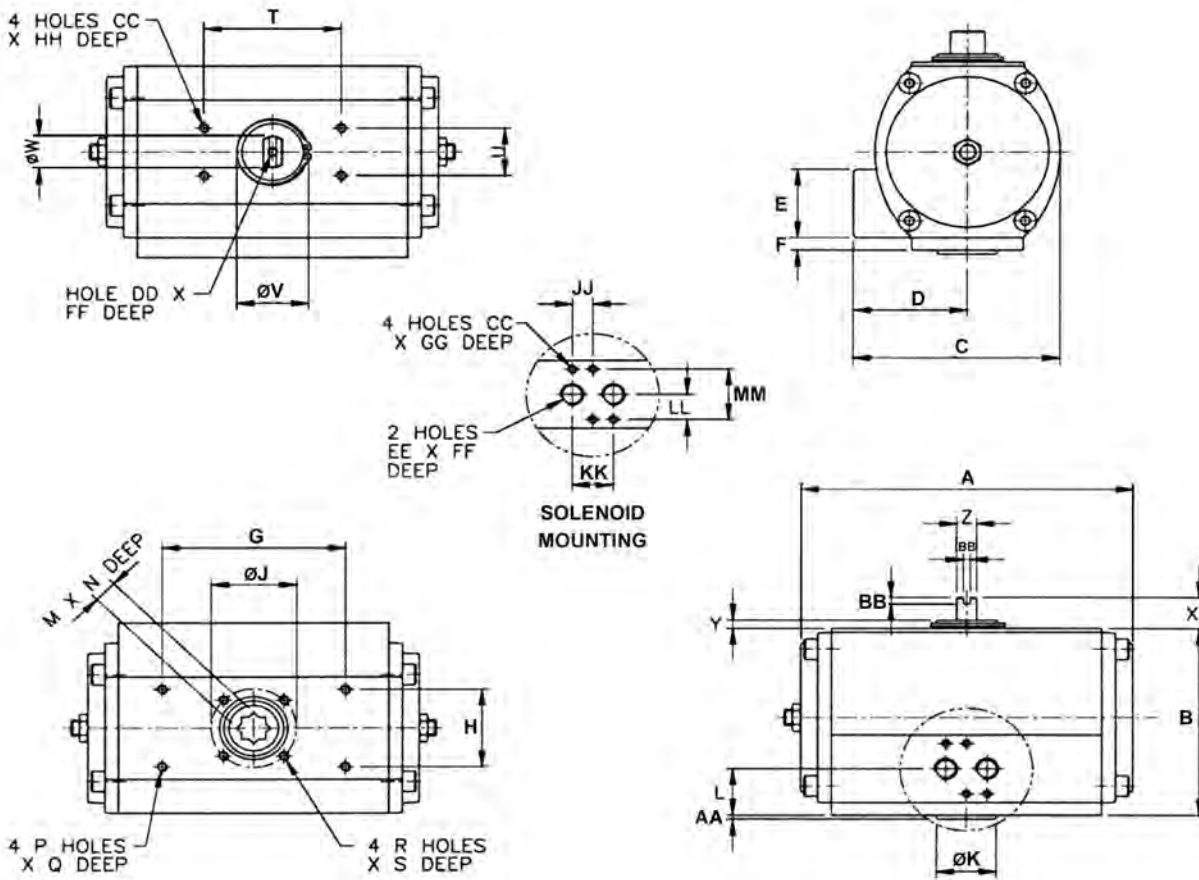


# NDA/NSR 2 & 4 Actuator Detail:



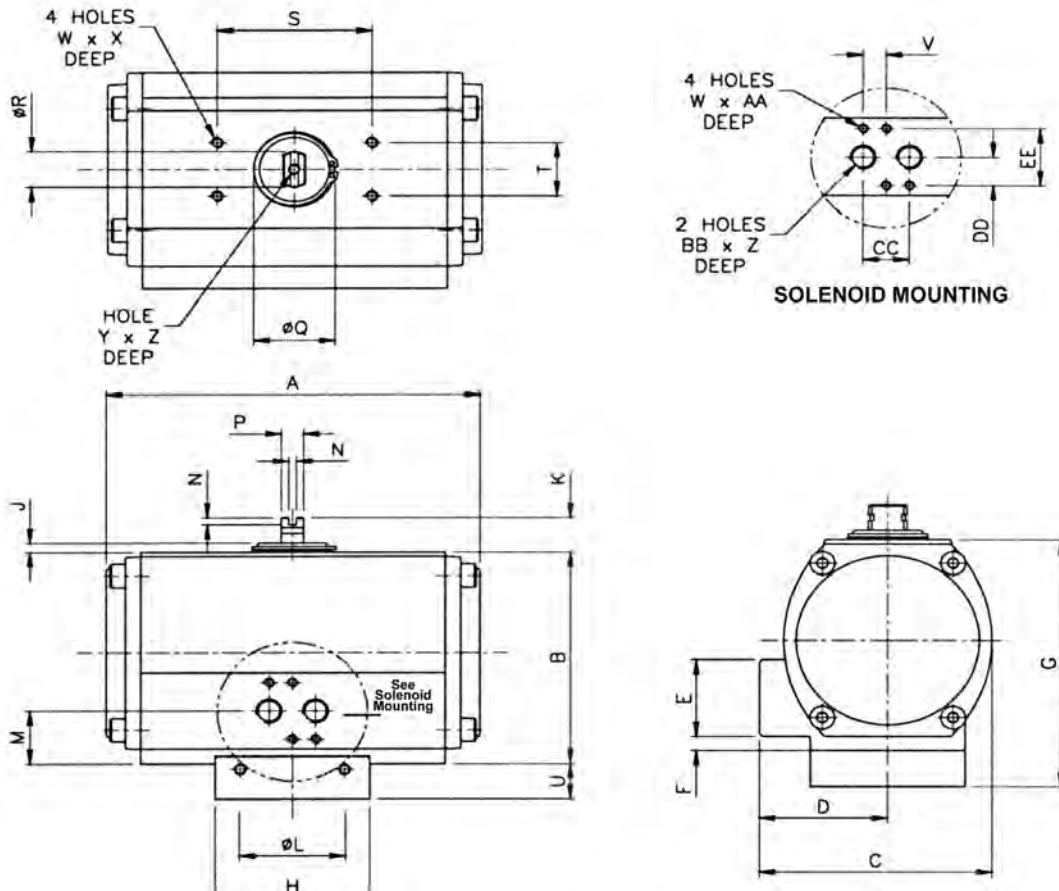
**Dimensions (Inches)**

Size	A	B	C	D	E	F	G	H	ØJ	ØK	L	M	N	P(unc)	Q	R(unc)	S	T
2	4.51	2.87	2.97	1.71	1.61	—	2.87	1.26	1.42	0.984	0.81	0.354	0.39	10-24	0.31	10-24	0.31	3.15
4	5.24	3.56	3.44	1.87	1.61	—	2.87	1.26	1.65	1.181	0.81	0.433	0.47	10-24	0.31	10-24	0.31	3.15

Size	U	ØV	ØW	X	Y	Z	AA	BB	CC(UNF)	DD	EE	FF	GG	HH	JJ	KK	LL	MM
2	1.18	0.98	0.63	0.79	0.18	0.45	0.08	0.16	10-32	M6	NPT 1/8	0.5	0.31	0.2	0.47	0.94	0.63	1.26
4	1.18	1.22	0.79	0.79	0.18	0.45	0.08	0.16	10-32	M6	NPT 1/8	0.5	0.31	0.2	0.47	0.94	0.63	1.26

Visit our website for the most current information.

# NDA/NSR 8 to 55 Actuator Detail:



**Dimensions (Inches)**

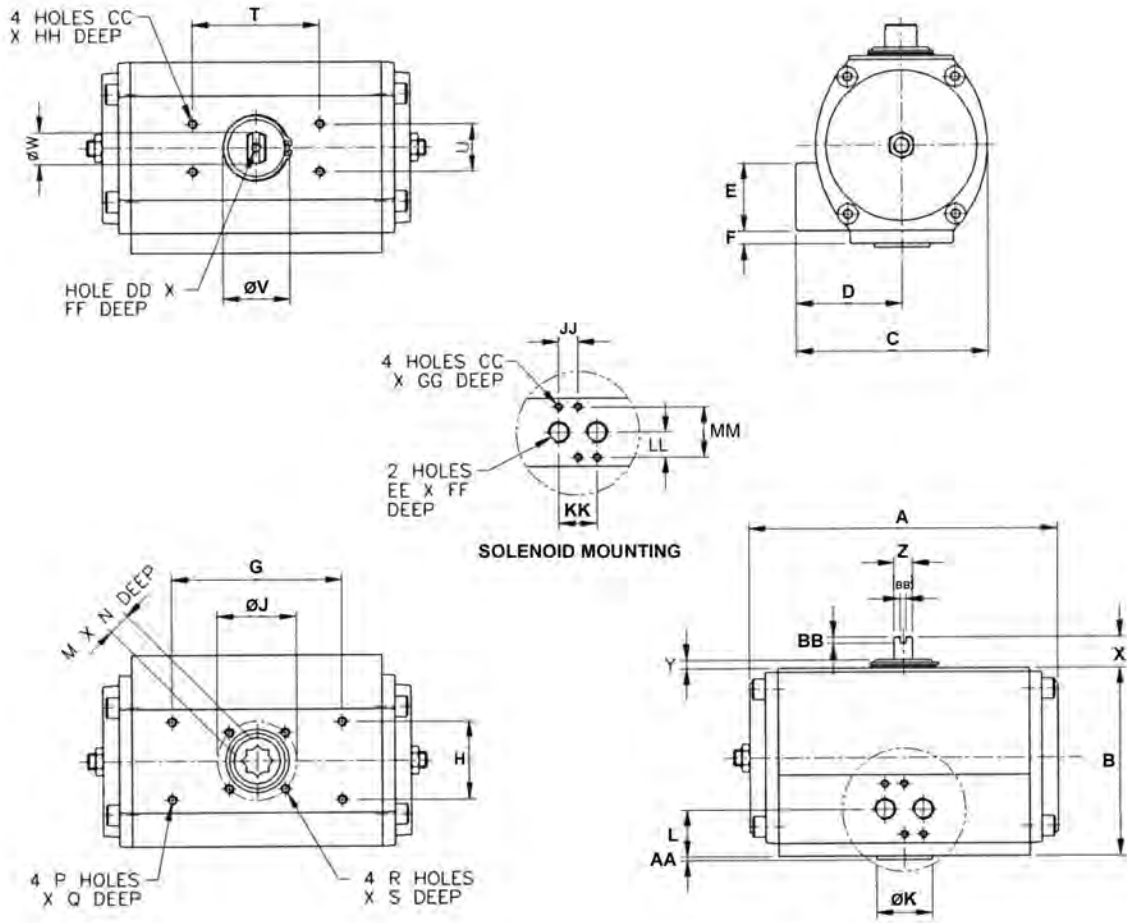
Size	A	B	C	D	E	F	G	H	J	K	ØL	M	N	P	ØQ	ØR	S	T
8	6.38	4.29	4.13	2.24	1.65	0.30	5.00	3.15	0.20	0.79	1.38	1.06	0.16	0.45	0.79	0.79	3.15	1.18
12	7.64	4.67	4.67	2.64	1.69	0.31	5.45	3.15	0.22	0.79	1.38	1.16	0.16	0.45	0.79	0.79	3.15	1.18
20	8.58	5.53	5.37	2.83	1.69	0.31	6.48	3.54	0.26	0.79	2.17	1.16	0.16	0.75	1.26	1.26	3.15	1.18
35	10.47	6.56	6.14	3.07	1.69	0.33	7.82	4.72	0.28	1.18	2.17	1.18	0.16	0.75	1.26	1.26	3.15	1.18
55	12.28	6.56	7.52	3.76	1.69	0.81	9.55	5.51	0.30	1.18	3.35	1.65	0.16	1.00	1.57	1.57	5.12	1.18

Size	U	V	ØW(UNF)	X	Y	Z	AA	BB	CC	DD	EE
8	0.79	0.47	10-32	0.2	M6	0.5	0.31	NPT 1/4	0.94	0.63	1.26
12	0.79	0.47	10-32	0.2	M6	0.5	0.31	NPT 1/4	0.94	0.63	1.26
20	0.94	0.47	10-32	0.2	M6	0.5	0.31	NPT 1/4	0.94	0.63	1.26
35	1.18	0.47	10-32	0.2	M6	0.5	0.31	NPT 1/4	0.94	0.63	1.26
55	1.38	0.47	10-32	0.2	M6	0.5	0.31	NPT 1/4	0.94	0.63	1.26

**NOTE:** 8-55 units are adaptable for Butterfly Valve direct mount.  
See pages 11 & 12 for body adapter dimensions.

Visit our website for the most current information.

# NDA/NSR 70 to 150 Actuator Detail:



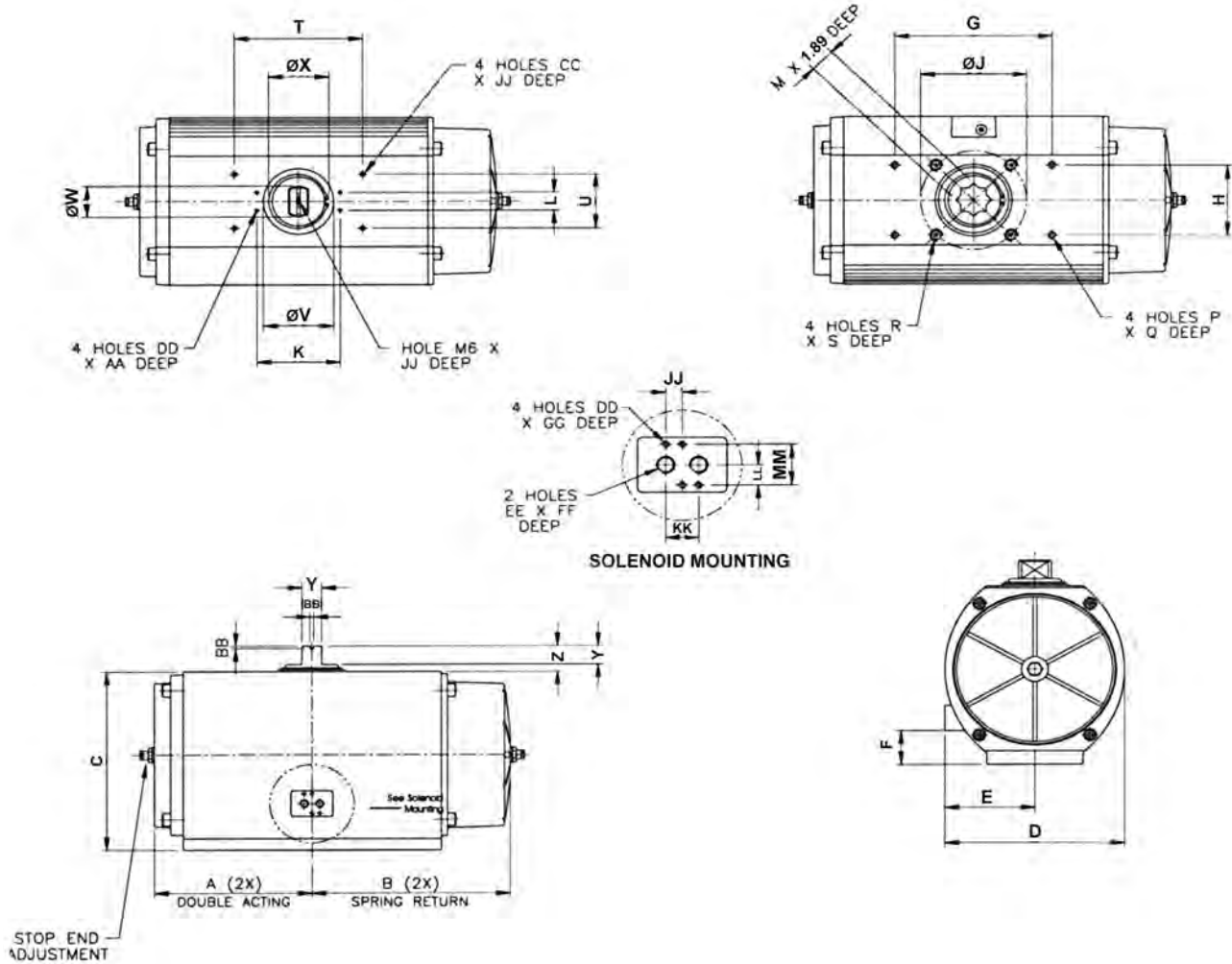
**Dimensions (Inches)**

Size	A	B	C	D	E	F	G	H	ØJ	ØK	L	M	N	P(unc)	Q	R(unc)	S	T
<b>70</b>	13.39	8.17	7.52	3.76	1.69	0.81	8.39	4.02	4.92	3.346	1.65	1.063	1.14	5/16-18	0.47	1/2-13	0.79	5.12
<b>100</b>	14.21	9.84	8.94	4.47	1.69	1.56	8.39	4.02	5.51	3.937	2.40	1.417	1.50	3/8-16	0.59	5/8-11	0.98	5.12
<b>150</b>	15.35	11.81	11.02	5.51	1.69	2.22	9.61	4.61	5.51	3.937	3.07	1.417	1.50	1/2-13	0.87	5/8-11	0.98	5.12

Size	U	ØV	ØW	X	Y	Z	AA	BB	CC(UNF)	DD	EE	FF	GG	HH	JJ	KK	LL	MM
<b>70</b>	1.18	2.83	1.57	1.18	0.28	1.00	0.12	0.16	10-32	M6	NPT 1/4	0.50	0.31	0.20	0.47	0.94	0.63	1.26
<b>100</b>	1.18	3.07	1.57	1.18	0.28	1.00	0.16	0.16	10-32	M6	NPT 1/4	0.50	0.31	0.20	0.47	0.94	0.63	1.26
<b>150</b>	1.18	3.07	1.57	1.18	0.28	1.00	0.16	0.16	10-32	M6	NPT 1/4	0.50	0.31	0.20	0.47	0.94	0.63	1.26

Visit our website for the most current information.

# NDA/NSR 250 Actuator Detail:



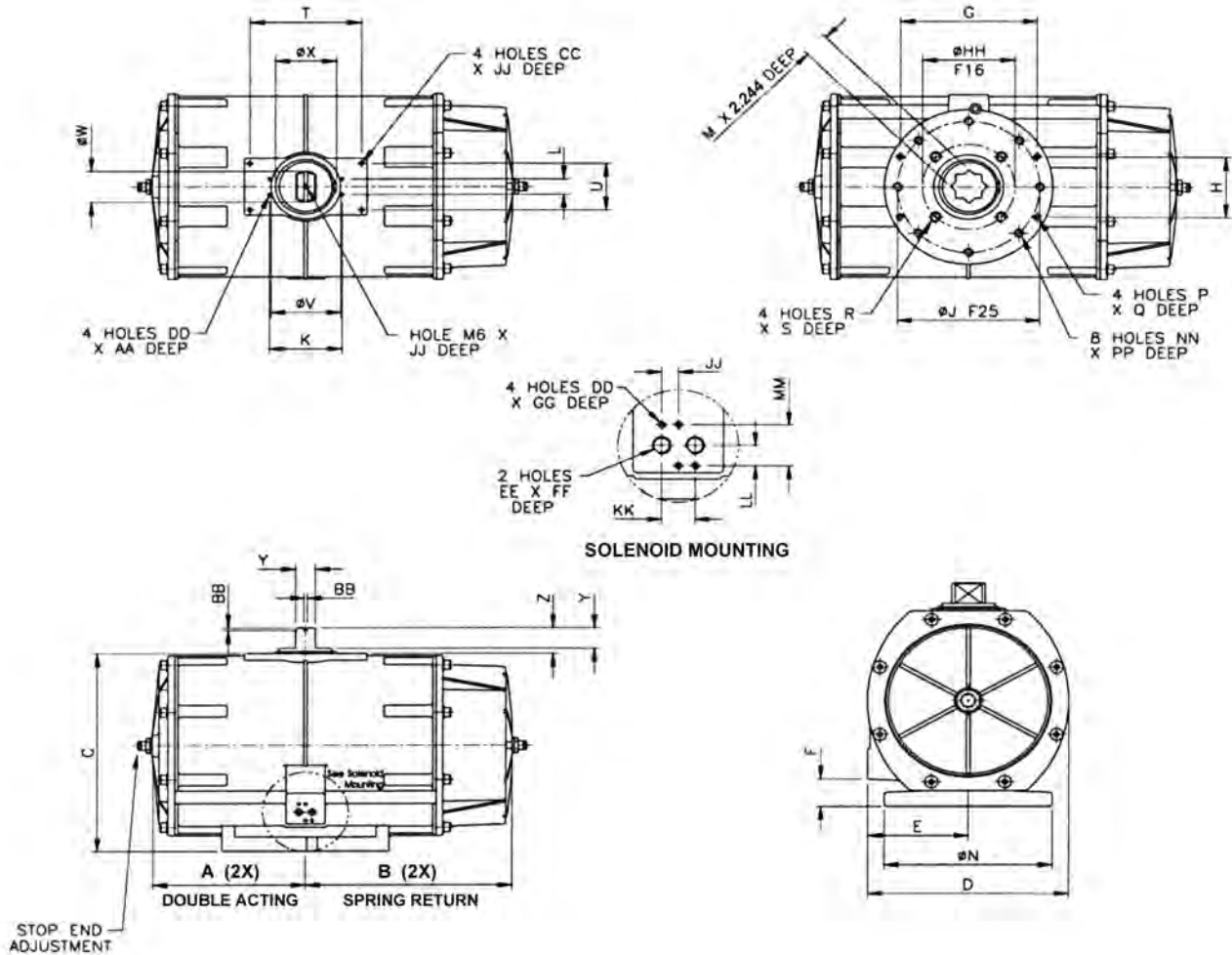
### Dimensions (Inches)

Size	A	B	C	D	E	F	G	H	ØJ	K	L	Ø P(UNC)	Q	R(UNC)	S	T	
250	9.8	13.3	11.81	11.02	5.51	2.2	9.61	4.61	6.5	5.12	1.18	1.81	1/2-13	0.86	3/4-11	1.25	7.87

Size	U	ØV	ØW	ØX	Y	Z	AA	BB	CC(UNC)	DD(UNF)	EE	FF	GG	JJ	KK	LL	MM
250	3.54	4.72	2.36	4.37	1.42	1.97	0.25	0.16	5/16-18	10-32	NPT 1/4	0.5	0.31	0.47	0.94	0.63	1.26

Visit our website for the most current information.

# NDA/NSR 400 Actuator Detail:



## Dimensions (Inches)

Size	A	B	C	D	E	F	G	H	$\varnothing J$	K	L	$\varnothing M$	$\varnothing N$	P(UNC)	Q	R(UNC)	S	T	U	$\varnothing V$
400	11.8	14.6	15.16	14.2	7.1	2.1	9.61	4.61	10	5.12	1.18	2.165	11.81	1/2-13	0.86	3/4-11	1.38	7.87	3.54	4.72

Size	$\varnothing W$	$\varnothing X$	Y	Z	AA	BB	CC(UNC)	DD(UNF)	EE	FF	GG	$\varnothing HH$	JJ	KK	LL	MM	NN(UNC)	PP	QQ
400	2.36	4.37	1.42	1.97	0.35	0.16	5/16-18	10-32	NPT 1/4	0.5	0.31	6.5	0.47	0.94	0.63	1.26	5/8-11	1	1.42

Visit our website for the most current information.