

ACTUATORS & CONTROLS

THE ELECTRIC SOLUTION

NIBCO Series 800 quality line of electric actuators are designed for quarter turn applications — ball, butterfly and plug valves; dampers; vents and similar uses. NIBCO actuators are manufactured in a wide range of output torques and operating speeds to fit your specific requirements.

The Series 800 utilizes a highly effective planetary gearing system and a handwheel manual override to produce maximum torques in a compact package.

STANDARD FEATURES

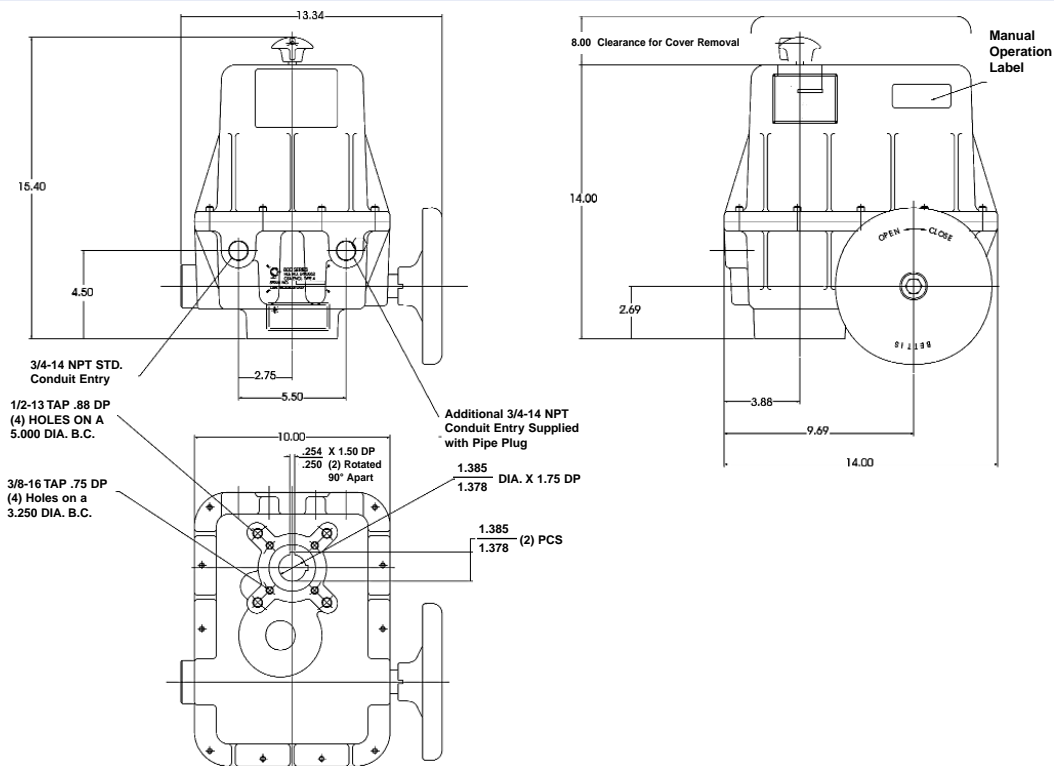
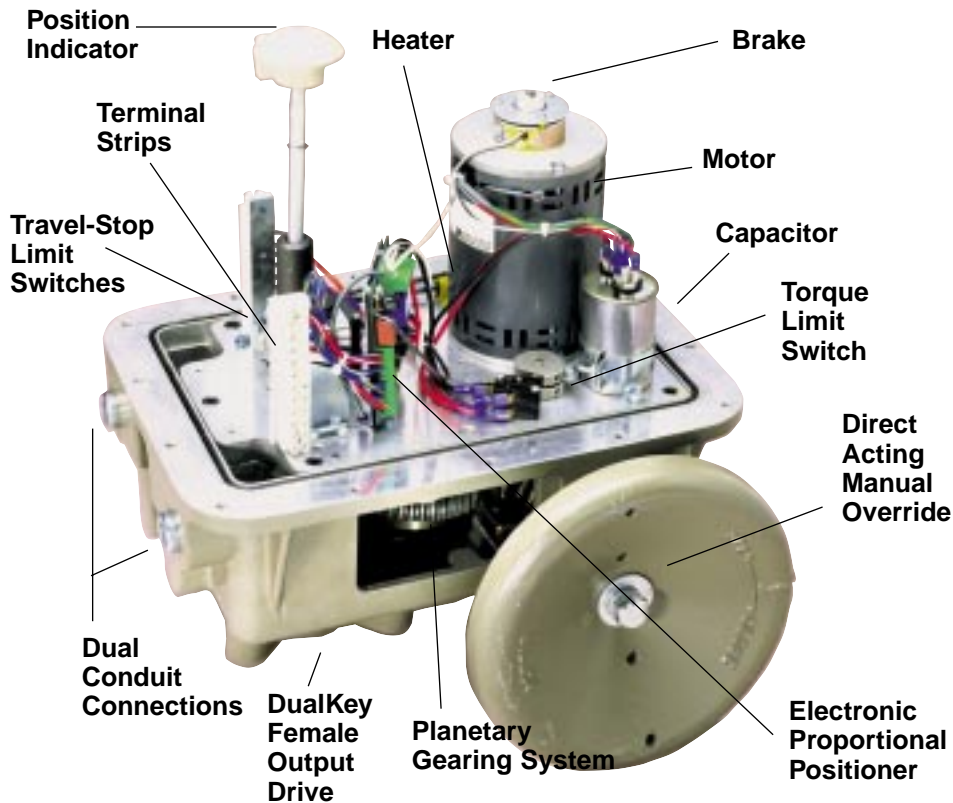
- Heater and thermostat installed in all actuators
- Case hardened steel spur gear train is permanently lubricated
- Operating temperatures:
-40° F, with standard heater activated, to +140° F
- Single phase capacitor run motor with thermal overload protection
- Aluminum enclosure certified to NEMA 4
- Handwheel manual operation
- Captive slotted hex bolts on enclosure
- Dual machined conduit entrances
- Two single pole double throw travel-stop limit switches with adjustable cams and 2 aux S.P.D.T. – standard
- Female drive shaft
- Weight: 65-70 lbs (NEMA 4), 150-160 lbs (NEMA 7)

OPTIONAL FEATURES

- Dual purpose CSA certified NEMA 4 and 7 enclosures (NEMA 7 - Ductile Iron)
- Standard 1K potentiometer, other ranges provided upon request
- Electronic proportional positioner for 4-20mA, 1-5V, or 0-10V
- Two wire control relay
- Optional voltage – 220 VAC 50/60 Hz, single phase
- Four single pole double throw auxiliary micro switches with adjustable cams
- Electro mechanical brake



SERIES 800						
TORQUE		SPEED 90°	MODEL	LOCKED ROTOR AMP		MOTOR DUTY CYCLE
IN/IB	NM			110VAC	220VAC	
3000	338	12 SEC	820-12-4	3.15	1.25	Extended
6000	678	30 SEC	820-30-4	3.15	1.25	Extended
10000	1130	30 SEC	830-30-4	5.97	2.53	Extended



NIBCO
AHEAD OF THE FLOW®

NIBCO INC.
WORLD HEADQUARTERS
WEB: www.nibco.com

1516 MIDDLEBURY STREET
ELKHART, IN 46516-4740
USA

DOMESTIC CUSTOMER SERVICE
PHONE: 800.234.0227
FAX: 800.234.0557

TECHNICAL SERVICE
PHONE: 888.446.4226
FAX: 888.336.4226

INTERNATIONAL OFFICE
PHONE: +1/574.295.3221
FAX: +1/574.295.3455