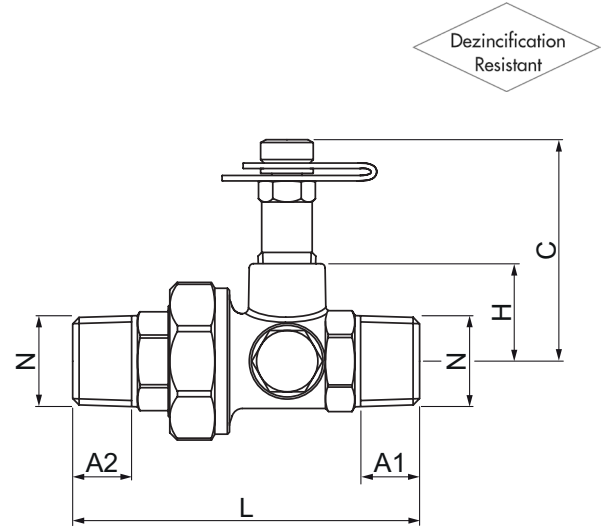


# MT-1800 DZR Brass Union with Test Point NPT Male Threaded Ends - 1/2" to 2"

MATERIAL LIST	
PART	SPECIFICATION
Body	Brass - UNS C35330 (DZR)
Union Nut	Brass - UNS C35330 (DZR)
Connector	Brass - UNS C35330 (DZR)
O-ring	EPDM
Test Point	Brass - UNS C35330 (DZR)
Plug (2)	Brass - UNS C35330 (DZR)

DIMENSIONS - In.							
Size	L	A1	A2	H	C	N	Weight Lbs.
1/2"	3.25	0.55	0.55	0.91	2.11	1/2" - 14 NPT	0.54
3/4"	3.31	0.55	0.55	1.02	2.20	3/4" - 14 NPT	0.67
1"	3.65	0.67	0.67	1.14	2.32	1" - 11.5 NPT	0.94
1 1/4"	3.89	0.69	0.69	1.32	2.50	1 1/4" - 11.5 NPT	1.38
1 1/2"	4.07	0.69	0.69	1.44	2.61	1 1/2" - 11.5 NPT	1.66
2"	4.28	0.71	0.71	1.67	2.85	2" - 11.5 NPT	2.37



**600 PSI Non-Shock Cold Working Pressure at 100°F**  
**Maximum Temperature 250°F at 200 PSI**

Project: \_\_\_\_\_

Contractor: \_\_\_\_\_

PO/Job No.: \_\_\_\_\_

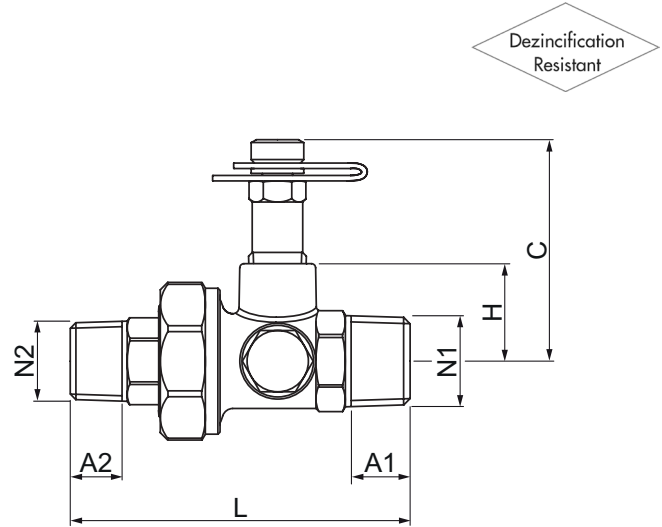
Engineer: \_\_\_\_\_

Representative: \_\_\_\_\_

Date: \_\_\_\_\_

# MT-1800R DZR Brass Union with Test Point NPT Male Threaded Ends - 1/2" to 2"

MATERIAL LIST	
PART	SPECIFICATION
Body	Brass - UNS C35330 (DZR)
Union Nut	Brass - UNS C35330 (DZR)
Connector	Brass - UNS C35330 (DZR)
O-ring	EPDM
Test Point	Brass - UNS C35330 (DZR)
Plug (2)	Brass - UNS C35330 (DZR)



DIMENSIONS - In.								
Size	L	A1	A2	H	C	N1 - Thread	N2 - Thread	Weight Lbs.
3/4" x 1/2"	3.29	0.55	0.55	1.02	2.20	3/4" - 14 NPT	1/2" - 14 NPT	0.65
1" x 1/2"	3.50	0.67	0.55	1.14	2.32	1" - 11.5 NPT	1/2" - 14 NPT	0.84
1" x 3/4"	3.50	0.67	0.55	1.14	2.32	1" - 11.5 NPT	3/4" - 14 NPT	0.88
1 1/4" x 3/4"	3.68	0.69	0.55	1.32	2.50	1 1/4" - 11.5 NPT	3/4" - 14 NPT	1.24
1 1/4" x 1"	3.83	0.69	0.67	1.32	2.50	1 1/4" - 11.5 NPT	1" - 11.5 NPT	1.31
1 1/2" x 1"	3.97	0.69	0.67	1.44	2.61	1 1/2" - 11.5 NPT	1" - 11.5 NPT	1.59
1 1/2" x 1 1/4"	4.03	0.69	0.69	1.44	2.61	1 1/2" - 11.5 NPT	1 1/4" - 11.5 NPT	1.65
2" x 1 1/4"	4.19	0.71	0.69	1.67	2.85	2" - 11.5 NPT	1 1/4" - 11.5 NPT	2.26
2" x 1 1/2"	4.22	0.71	0.69	1.67	2.85	2" - 11.5 NPT	1 1/2" - 11.5 NPT	2.25

**600 PSI Non-Shock Cold Working Pressure at 100°F**  
**Maximum Temperature 250°F at 200 PSI**

Project: \_\_\_\_\_  
 Contractor: \_\_\_\_\_  
 PO/Job No.: \_\_\_\_\_  
 Engineer: \_\_\_\_\_  
 Representative: \_\_\_\_\_  
 Date: \_\_\_\_\_