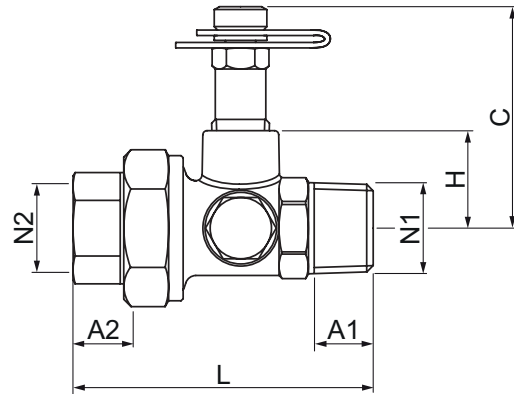


MTT-1800 DZR Brass Union with Test Point

NPT Male Threaded End x NPT Female Threaded End - 1/2" to 2"



| MATERIAL LIST | |
|---------------|--------------------------|
| PART | SPECIFICATION |
| Body | Brass - UNS C35330 (DZR) |
| Union Nut | Brass - UNS C35330 (DZR) |
| Connector | Brass - UNS C35330 (DZR) |
| O-ring | EPDM |
| Test Point | Brass - UNS C35330 (DZR) |
| Plug (2) | Brass - UNS C35330 (DZR) |



| DIMENSIONS - In. | | | | | | | | |
|------------------|------|------|------|------|------|-------------------|-------------------|-------------|
| Size | L | A1 | A2 | H | C | N1 | N2 | Weight Lbs. |
| 1/2" | 2.81 | 0.55 | 0.59 | 0.91 | 2.11 | 1/2" - 14 NPT | 1/2" - 14 NPT | 0.52 |
| 3/4" | 2.85 | 0.55 | 0.59 | 1.02 | 2.20 | 3/4" - 14 NPT | 3/4" - 14 NPT | 0.63 |
| 1" | 3.07 | 0.67 | 0.65 | 1.14 | 2.32 | 1" - 11.5 NPT | 1" - 11.5 NPT | 0.85 |
| 1 1/4" | 3.23 | 0.69 | 0.67 | 1.32 | 2.50 | 1 1/4" - 11.5 NPT | 1 1/4" - 11.5 NPT | 1.23 |
| 1 1/2" | 3.33 | 0.69 | 0.67 | 1.44 | 2.61 | 1 1/2" - 11.5 NPT | 1 1/2" - 11.5 NPT | 1.51 |
| 2" | 3.46 | 0.71 | 0.69 | 1.67 | 2.85 | 2" - 11.5 NPT | 2" - 11.5 NPT | 2.06 |

600 PSI Non-Shock Cold Working Pressure at 100°F
Maximum Temperature 250°F at 200 PSI

Project: _____

Contractor: _____

PO/Job No.: _____

Engineer: _____

Representative: _____

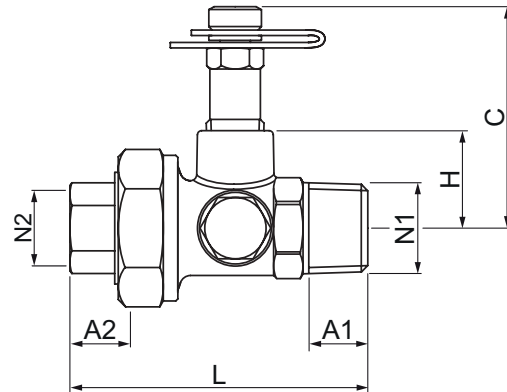
Date: _____

MTT-1800R DZR Brass Union with Test Point

NPT Male Threaded End x NPT Female Threaded End - 1/2" to 2"



| MATERIAL LIST | |
|---------------|--------------------------|
| PART | SPECIFICATION |
| Body | Brass - UNS C35330 (DZR) |
| Union Nut | Brass - UNS C35330 (DZR) |
| Connector | Brass - UNS C35330 (DZR) |
| O-ring | EPDM |
| Test Point | Brass - UNS C35330 (DZR) |
| Plug (2) | Brass - UNS C35330 (DZR) |



| DIMENSIONS - In. | | | | | | | | |
|------------------|------|------|------|------|------|-------------------|-------------------|-------------|
| Size | L | A1 | A2 | H | C | N1 - Thread | N2 - Thread | Weight Lbs. |
| 3/4" x 1/2" | 2.85 | 0.55 | 0.59 | 1.02 | 2.20 | 3/4" - 14 NPT | 1/2" - 14 NPT | 0.64 |
| 1" x 1/2" | 3.01 | 0.67 | 0.59 | 1.14 | 2.32 | 1" - 11.5 NPT | 1/2" - 14 NPT | 0.87 |
| 1" x 3/4" | 3.01 | 0.67 | 0.59 | 1.14 | 2.32 | 1" - 11.5 NPT | 3/4" - 14 NPT | 0.86 |
| 1 1/4" x 3/4" | 3.13 | 0.69 | 0.59 | 1.32 | 2.50 | 1 1/4" - 11.5 NPT | 3/4" - 14 NPT | 1.26 |
| 1 1/4" x 1" | 3.23 | 0.69 | 0.65 | 1.32 | 2.50 | 1 1/4" - 11.5 NPT | 1" - 11.5 NPT | 1.36 |
| 1 1/2" x 1" | 3.33 | 0.69 | 0.65 | 1.44 | 2.61 | 1 1/2" - 11.5 NPT | 1" - 11.5 NPT | 1.57 |
| 1 1/2" x 1 1/4" | 3.33 | 0.69 | 0.67 | 1.44 | 2.61 | 1 1/2" - 11.5 NPT | 1 1/4" - 11.5 NPT | 1.54 |
| 2" x 1 1/4" | 3.43 | 0.71 | 0.67 | 1.67 | 2.85 | 2" - 11.5 NPT | 1 1/4" - 11.5 NPT | 2.21 |
| 2" x 1 1/2" | 3.46 | 0.71 | 0.67 | 1.67 | 2.85 | 2" - 11.5 NPT | 1 1/2" - 11.5 NPT | 2.18 |

600 PSI Non-Shock Cold Working Pressure at 100°F
Maximum Temperature 250°F at 200 PSI

Project: _____

Contractor: _____

PO/Job No.: _____

Engineer: _____

Representative: _____

Date: _____