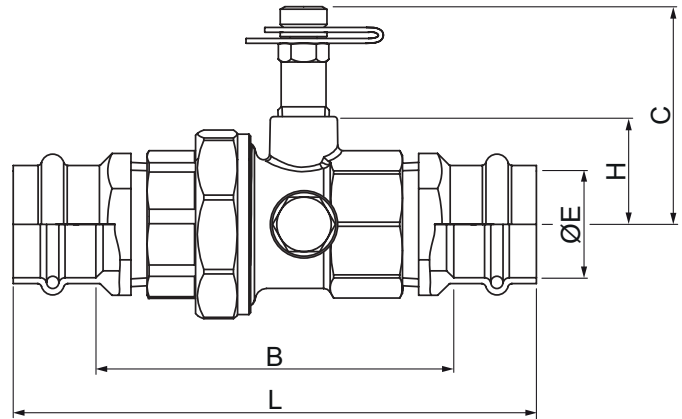


PC-1800 DZR Brass Union with Test Point Press Ends - 1/2" to 2"



MATERIAL LIST	
PART	SPECIFICATION
Body	Brass - UNS C35330 (DZR)
Union Nut	Brass - UNS C35330 (DZR)
Connector	Brass - UNS C35330 (DZR)
O-ring	EPDM
Test Point	Brass - UNS C35330 (DZR)
Plug (2)	Brass - UNS C35330 (DZR)
Press End	Copper - ASTM B75 C12200
Press End O-ring	EPDM



DIMENSIONS - In.						
Size	L	B	C	H	ØE	Weight Lbs.
1/2"	4.72	3.34	2.06	0.86	0.63	0.77
3/4"	5.44	3.68	2.17	0.97	0.88	1.07
1"	5.51	3.76	2.29	1.09	1.13	1.37
1 1/4"	6.49	4.49	2.47	1.17	1.38	2.01
1 1/2"	7.47	4.71	2.59	1.39	1.63	2.84
2"	7.65	4.65	2.82	1.62	2.13	3.75

**200 PSI Non-Shock Cold Working Pressure at 250°F
Maximum Temperature 250°F at 200 PSI**

Project: _____

Contractor: _____

PO/Job No.: _____

Engineer: _____

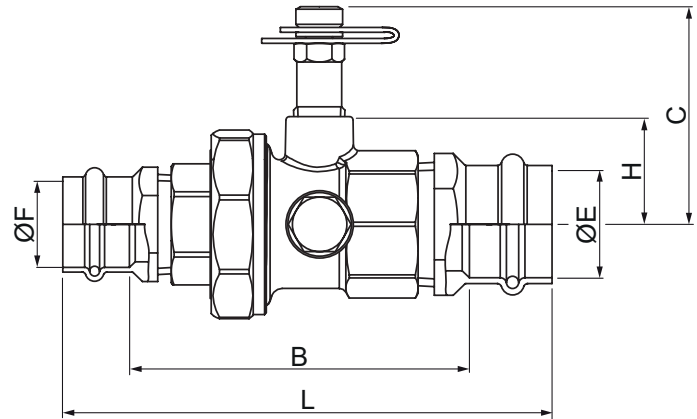
Representative: _____

Date: _____

PC-1800R DZR Brass Union with Test Point Press Ends - 1/2" to 2"



MATERIAL LIST	
PART	SPECIFICATION
Body	Brass - UNS C35330 (DZR)
Union Nut	Brass - UNS C35330 (DZR)
Connector	Brass - UNS C35330 (DZR)
O-ring	EPDM
Test Point	Brass - UNS C35330 (DZR)
Plug (2)	Brass - UNS C35330 (DZR)
Press End	Copper - ASTM B75 C12200
Press End O-ring	EPDM



DIMENSIONS - In.							
Size	L	B	C	H	BODY ØE	TAIL ØF	Weight Lbs.
3/4" x 1/2"	5.08	3.51	2.17	1.02	0.88	0.63	0.96
1" x 1/2"	5.12	3.55	2.29	1.14	1.13	0.63	1.19
1" x 3/4"	5.48	3.72	2.29	1.14	1.13	0.88	1.27
1 1/4" x 3/4"	5.99	4.12	2.47	1.32	1.38	0.88	1.85
1 1/4" x 1"	6.07	4.19	2.47	1.32	1.38	1.13	1.92
1 1/2" x 1"	6.59	4.33	2.59	1.44	1.66	1.13	2.46
1 1/2" x 1 1/4"	7.01	4.63	2.59	1.44	1.66	1.38	2.63
2" x 1 1/4"	7.10	4.60	2.82	1.67	2.13	1.38	3.43
2" x 1 1/2"	7.65	4.72	2.82	1.67	2.13	1.66	3.63

**200 PSI Non-Shock Cold Working Pressure at 250°F
Maximum Temperature 250°F at 200 PSI**

Project: _____

Contractor: _____

PO/Job No.: _____

Engineer: _____

Representative: _____

Date: _____