

NIBCO® FLO-BOSS®

MANUAL VENTURI BALANCING VALVE

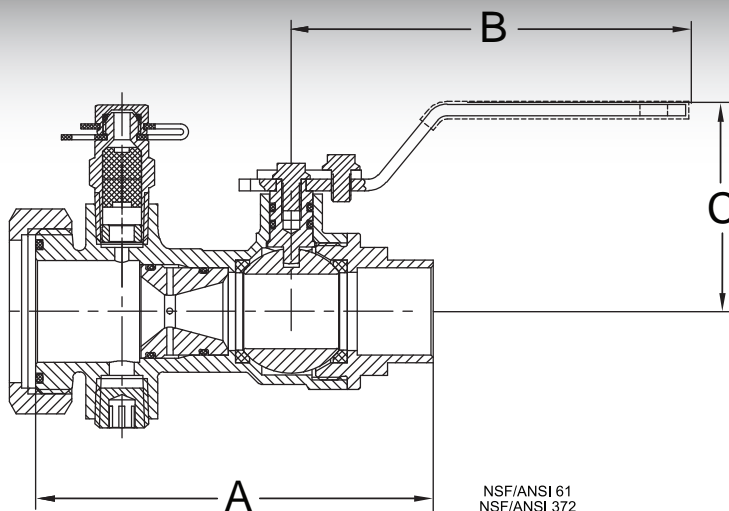


FLO-BOSS® MB
1805-LF SERIES

NSF 61 / NSF 372

FLO-BOSS® MB-1805 Series

Lead-Free* DZR Brass Manual Balancing Valve



NSF/ANSI 61
NSF/ANSI 372

Nominal Dimensions, Weights & Flows

Size		Body	Venturi No.	Flow Range - GPM		A**				Press		B		C		Weight*			
in	mm			Min	Max	FPT	MPT	SWT	in	mm	in	mm	in	mm	in	mm	lbs	kg	
1/2"	12.7	B1	V-1	0.24	1.8	4.29	108.9	4.96	125.9	3.23	82.0	5.07	128.8	3.98	101.1	2.01	51.2	1.31	0.59
3/4"	19.1		V-2	0.8	7.25	5.12	130.0	5.15	130.9	3.14	79.7	6.00	152.4						
3/4" & 1"	19.1	B2	V-3	1.0	7.3	4.69	119.2	5.42	137.8	3.44	87.4	5.28	134.1	3.98	101.1	2.10	53.4	1.77	0.80
			V-4	2.3	15.3														
1"	25.4	B3	V-5	2.2	16.2	6.44	163.6	6.05	153.9	3.59	91.3	7.52	191.0	5.34	135.5	2.24	57.0	2.33	1.06
1 1/4"	31.8	B4	V-6	4.3	33.3	6.39	162.2	7.19	182.6	4.87	126.6	8.07	205.0	5.34	136.3	2.43	61.7	4.43	2.01
1 1/2"	38.1	B5	V-7	4.8	33	8.27	210.1	7.88	200.1	5.34	135.5	10.11	256.8	5.94	151.0	2.87	72.9	7.10	3.22
2"	50.8	B6	V-8	6	75	9.46	240.3	9.01	228.8	6.49	164.8	11.16	283.5	5.94	151.0	3.11	78.9	10.70	4.85

* Weight based on FPT valve, specific valve weights available upon request. ** FPT valve shown

Material List	
Venturi	DZR Brass C46500
Stem	DZR Brass C46500 (Optional Stainless Steel)
Ball	Stainless Steel
Seal	EPDM
Seat	PTFE
Handles	Zinc Plated Steel
PT Ports	DZR Brass
Memory Stop	Zinc Plated Steel
End Connections	Fixed End: SWT, FNPT, & Press
	Union End: SWT, FNPT, MNPT, & Press

Specification	
Ball Valve	100% Positive Shut-off; Full Port SS Ball
Venturi	Permanently Installed
Tailpieces	Interchangeable up to Double Reduction
Temperature	Max 250°F @ 150 PSI
Pressure	600 PSI Non-Shock CWP to 100°F: SWT/FNPT/MNPT 200 PSI Non-Shock CWP to 230°F: Press
Sizes	0.50" to 2.00"
Accuracy	+/- 3% of Flow Rate
Listing	NSF 61 & NSF 372

*Weighted average lead content ≤ 0.25%

FLO-BOSS® MB-1805 Series

Lead-Free* DZR Brass Manual Balancing Valve

BODIES B1 - B3

CONNECTION OPTIONS

Union End - Inlet Connection Tailpiece Options			1/2" & 3/4" B-1 Low Flow Body (.24 to 7.25 GPM)				Body Outlet Connection Options			
Sizes							Sizes			
Sweat		1/2"					Includes Venturi, PT Ports and Memory Stop			Sweat
		3/4"	FPT		3/4"					
		3/4" x 1/2"			Includes Venturi, PT Ports and Memory Stop					PC
FPT		1/2"	Venturis (Choose One)					1/2"		
		3/4"				MPT			3/4"	
		3/4" x 1/2"								3/4"
MPT		1/2"				V-1	V-2			
		3/4"	PC		0.24 Min	1.80 Max	0.80 Min	7.25 Max		
		3/4" x 1/2"								

Union End - Inlet Connection Tailpiece Options			3/4" & 1" B-2 High Flow Body (1.0 to 15.3 GPM)				Body Outlet Connection Options			
Sizes							Sizes			
Sweat		1/2"					Includes Venturi, PT Ports and Memory Stop			Sweat
		3/4"	FPT		3/4" & 1"					
		1"			Includes Venturi, PT Ports and Memory Stop					PC
FPT		1/2"	Venturis (Choose One)					1"		
		3/4"				MPT			3/4"	
		1"								1"
MPT		1/2"				V-3	V-4			
		3/4"	PC		1.00 Min	7.30 Max	2.30 Min	15.30 Max		
		1"								

Union End - Inlet Connection Tailpiece Options			1" B-3 Body (2.2 to 16.2 GPM)				Body Outlet Connection Options			
Sizes							Sizes			
Sweat		1"					Includes Venturi, PT Ports and Memory Stop			Sweat
		1" x 1/2"	FPT		1"					
		1" x 3/4"			Includes Venturi, PT Ports and Memory Stop					PC
FPT		1"	Venturi					1"		
		1" x 1/2"				MPT			1"	
		1" x 3/4"								1"
MPT		1"				V-5				
		1" x 1/2"	PC		2.20 Min	16.20 Max				
		1" x 3/4"								

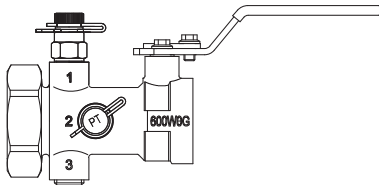
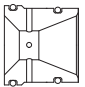
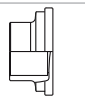
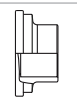
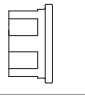
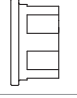

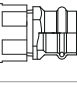
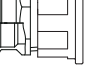
*Weighted average lead content ≤ 0.25%

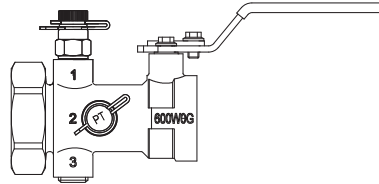
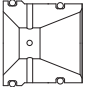
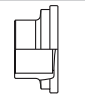
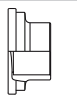
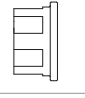
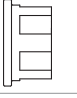

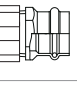
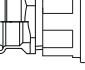
FLO-BOSS® MB-1805 Series

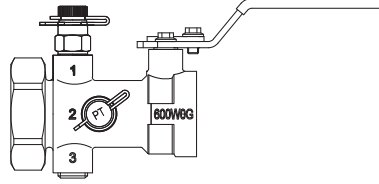
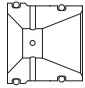
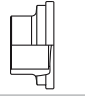
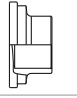
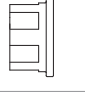
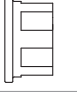

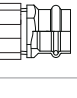
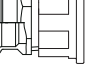
Lead-Free* DZR Brass Manual Balancing Valve

BODIES B 4 - B 6

CONNECTION OPTIONS

Union End - Inlet Connection Tailpiece Options			1 1/4" B-4 Body (4.3 to 33.3 GPM)		Body Outlet Connection Options		
Sizes			 <p>Includes Venturi, PT Ports and Memory Stop</p> <p>Venturi</p>  <p>V-6</p> <p>4.30 Min 33.30 Max</p>		Sizes		
Sweat		1 1/4"			Sweat		1 1/4"
		1 1/4" x 1"					
		1 1/4" x 3/4"					
FPT		1 1/4"			FPT		1 1/4"
		1 1/4" x 1"					
		1 1/4" x 3/4"					
MPT		1 1/4"			PC		1 1/4"
		1 1/4" x 1"					
		1 1/4" x 3/4"					
PC		1 1/4"					
		1 1/4" x 1"					
		1 1/4" x 3/4"					

Union End - Inlet Connection Tailpiece Options			1 1/2" B-5 Body (4.8 to 33 GPM)		Body Outlet Connection Options		
Sizes			 <p>Includes Venturi, PT Ports and Memory Stop</p> <p>Venturi</p>  <p>V-7</p> <p>4.80 Min 33.00 Max</p>		Sizes		
Sweat		1 1/2"			Sweat		1 1/2"
		1 1/2" x 1 1/4"					
		1 1/2" x 1"					
FPT		1 1/2"			FPT		1 1/2"
		1 1/2" x 1 1/4"					
		1 1/2" x 1"					
MPT		1 1/2"			PC		1 1/2"
		1 1/2" x 1 1/4"					
		1 1/2" x 1"					
PC		1 1/2"					
		1 1/2" x 1 1/4"					
		1 1/2" x 1"					

Union End - Inlet Connection Tailpiece Options			2" B-6 Body (6.0 to 75 GPM)		Body Outlet Connection Options		
Sizes			 <p>Includes Venturi, PT Ports and Memory Stop</p> <p>Venturi</p>  <p>V-8</p> <p>6.00 Min 75.00 Max</p>		Sizes		
Sweat		2"			Sweat		2"
		2" x 1 1/2"					
		2" x 1 1/4"					
FPT		2"			FPT		2"
		2" x 1 1/2"					
		2" x 1 1/4"					
MPT		2"			PC		2"
		2" x 1 1/2"					
		2" x 1 1/4"					
PC		2"					
		2" x 1 1/2"					
		2" x 1 1/4"					

*Weighted average lead content ≤ 0.25%