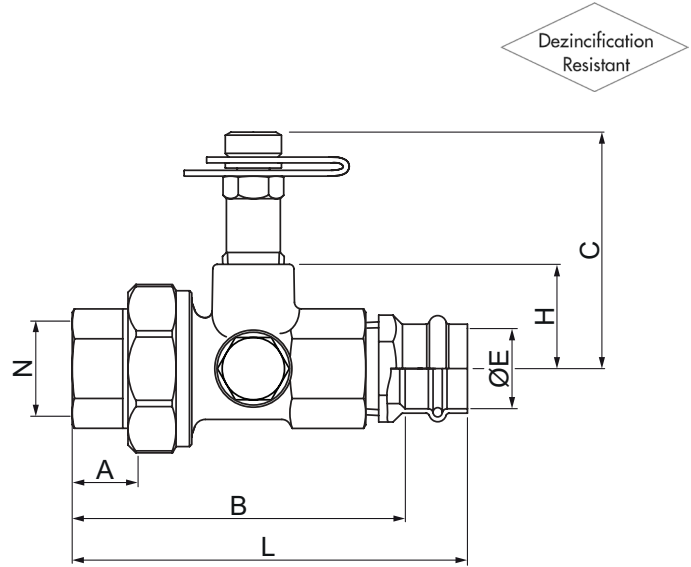


# PCT-1800 DZR Brass Union with Test Point

## Press End x NPT Threaded End - 1/2" to 2"

MATERIAL LIST	
PART	SPECIFICATION
Body	Brass - UNS C35330 (DZR)
Union Nut	Brass - UNS C35330 (DZR)
Connector	Brass - UNS C35330 (DZR)
O-ring	EPDM
Test Point	Brass - UNS C35330 (DZR)
Plug (2)	Brass - UNS C35330 (DZR)
Press End	Copper - ASTM B75 C12200
Press End O-ring	EPDM



DIMENSIONS - In.								
Size	L	A	B	H	C	E	N	Weight Lbs.
1/2"	3.64	0.59	2.95	0.93	2.06	0.63	1/2" - 14 NPT	0.66
3/4"	4.00	0.59	3.12	1.02	2.17	0.88	3/4" - 14 NPT	0.87
1"	4.09	0.65	3.22	1.14	2.29	1.13	1" - 11.5 NPT	1.10
1 1/4"	4.65	0.67	3.65	1.32	2.47	1.38	1 1/4" - 11.5 NPT	1.64
1 1/2"	5.17	0.67	3.79	1.44	2.59	1.63	1 1/2" - 11.5 NPT	2.14
2"	5.30	0.69	3.80	1.67	2.82	2.13	2" - 11.5 NPT	2.82

**200 PSI Non-Shock Cold Working Pressure at 250°F**  
**Maximum Temperature 250°F at 200 PSI**

Project: \_\_\_\_\_

Contractor: \_\_\_\_\_

PO/Job No.: \_\_\_\_\_

Engineer: \_\_\_\_\_

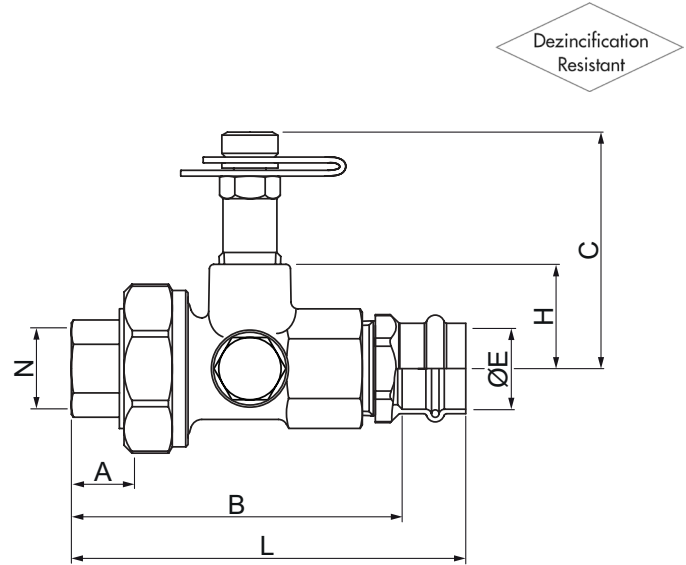
Representative: \_\_\_\_\_

Date: \_\_\_\_\_

# PCT-1800R DZR Brass Union with Test Point

## Press End x NPT Threaded End - 1/2" to 2"

MATERIAL LIST	
PART	SPECIFICATION
Body	Brass - UNS C35330 (DZR)
Union Nut	Brass - UNS C35330 (DZR)
Connector	Brass - UNS C35330 (DZR)
O-ring	EPDM
Test Point	Brass - UNS C35330 (DZR)
Plug (2)	Brass - UNS C35330 (DZR)
Press End	Copper - ASTM B75 C12200
Press End O-ring	EPDM



DIMENSIONS - In.								
Size	L	A	B	C	H	E	N - Thread	Weight Lbs.
3/4" x 1/2"	4.00	0.59	3.31	2.17	1.02	0.88	1/2" - 14 NPT	0.85
1" x 1/2"	4.06	0.59	3.18	2.29	1.14	1.13	3/4" - 14 NPT	1.08
1" x 3/4"	4.06	0.59	3.18	2.29	1.14	1.13	3/4" - 14 NPT	1.07
1 1/4" x 3/4"	4.16	0.59	3.28	2.47	1.32	1.38	1" - 11.5 NPT	1.65
1 1/4" x 1"	4.23	0.65	3.36	2.47	1.32	1.38	1" - 11.5 NPT	1.65
1 1/2" x 1"	4.29	0.65	3.42	2.59	1.44	1.66	1 1/4" - 11.5 NPT	2.19
1 1/2" x 1 1/4"	4.71	0.67	3.71	2.59	1.44	1.66	1 1/4" - 11.5 NPT	2.16
2" x 1 1/4"	4.75	0.67	3.75	2.82	1.67	1.38	1 1/2" - 11.5 NPT	2.96

**200 PSI Non-Shock Cold Working Pressure at 250°F**  
**Maximum Temperature 250°F at 200 PSI**

Project: \_\_\_\_\_  
 Contractor: \_\_\_\_\_  
 PO/Job No.: \_\_\_\_\_  
 Engineer: \_\_\_\_\_  
 Representative: \_\_\_\_\_  
 Date: \_\_\_\_\_