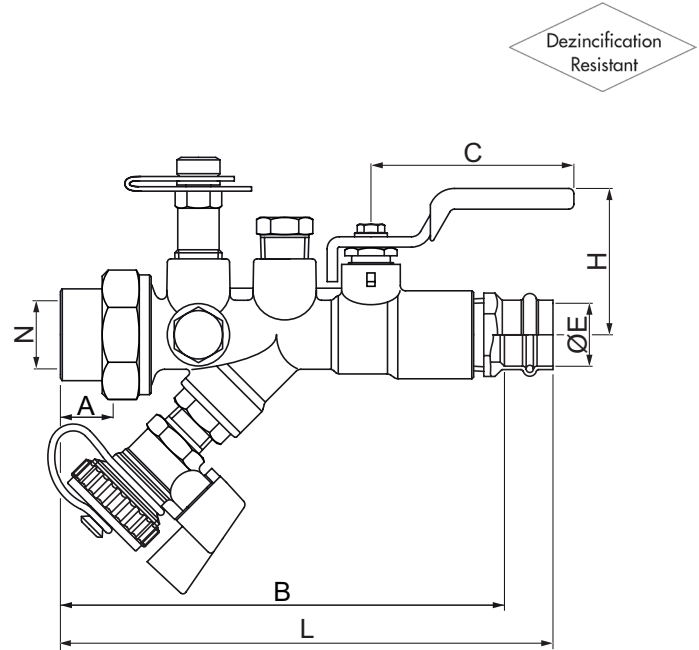


PCT-1820 DZR Brass Combination Ball Valve with Integral Strainer, Test Point and Drain Valve Press End x NPT Threaded End - 1/2" to 2"

MATERIAL LIST	
PART	SPECIFICATION
Body	Brass - Brass - UNS C35330 (DZR)
Seat Retainer	Brass - UNS C37700
Ball	Brass - UNS C37700 - Chrome Plated
Inner Seat Ring	PTFE
Stem	Brass - UNS C37700
Stem Seal	PTFE
Lever	Steel - Zinc Plated
Gland Nut	Brass - UNS C37700
O-ring	EPDM
Union Nut	Brass - UNS C37700
Filter	Stainless Steel 304
Cap	Brass - UNS C35330 (DZR)
Outer Seat Ring	PTFE
Test Point	Brass - UNS C35330 (DZR)
Connector	Brass - UNS C35330 (DZR)
Plug	Brass - UNS C37700
Press End	Copper - ASTM B75 C12200
Press End O-ring	EPDM



Cv Values						
Size	1/2"	3/4"	1"	1 1/4"	1 1/2"	2"
Cv	5.75	8.23	8.87	26.7	28.3	33.5

DIMENSIONS - In.								
Size	L	B	A	H	C	E	T - Thread	Weight Lbs.
1/2"	5.79	5.11	0.59	1.67	2.31	0.63	1/2" - 14 NPT	1.20
3/4"	6.11	5.23	0.59	1.89	3.78	0.88	3/4" - 14 NPT	1.50
1"	6.37	5.49	0.65	2.02	4.05	1.13	1" - 11.5 NPT	2.01
1 1/4"	7.63	6.63	0.67	2.52	4.74	1.38	1 1/4" - 11.5 NPT	3.19
1 1/2"	8.68	7.30	0.67	2.61	4.74	1.63	1 1/2" - 11.5 NPT	4.14
2"	9.73	8.23	0.69	3.46	5.57	2.13	2" - 11.5 NPT	6.52

Strainer filter

20 Mesh

200 PSI Non-Shock Cold Working Pressure
Maximum Temperature 250°F at 200 PSI

Project: _____

Contractor: _____

PO/Job No.: _____

Engineer: _____

Representative: _____

Date: _____

Cv = flow co-efficient = flow in gpm to give a pressure loss of 1 psi