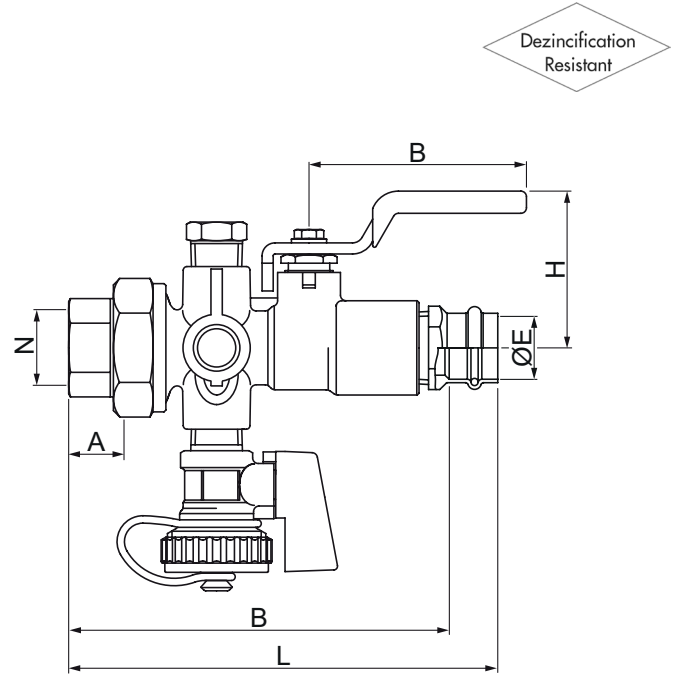


# PCT-1830 DZR Brass Combination Ball Valve with Test Point and Drain Valve Press End x NPT Threaded End - 1/2" to 2"

MATERIAL LIST	
PART	SPECIFICATION
Body	Brass - UNS C35330 (DZR)
Seat Retainer	Brass - UNS C37700
Ball	Brass - UNS C37700 - Chrome Plated
Inner Seat Ring	PTFE
Stem	Brass - UNS C37700
Stem Seal	PTFE
Lever	Steel - Zinc Plated
Gland Nut	Brass - UNS C37700
O-ring	EPDM
Union Nut	Brass - UNS C37700
Outer Seat Ring	PTFE
Drain Valve	Brass
Test Point	Brass - UNS C35330 (DZR)
Connector	Brass - UNS C35330 (DZR)
Plug	Brass - UNS C37700
Press End	Copper - ASTM B75 C12200
Press End O-ring	EPDM



DIMENSIONS - In.									
Size	Cv	L	B	A	H	C	E	T - Thread	Weight Lbs.
1/2"	5.373	4.81	4.12	0.59	1.67	2.31	0.63	1/2" - 14 NPT	1.08
3/4"	10.53	5.13	4.25	0.59	1.89	3.78	0.88	3/4" - 14 NPT	1.33
1"	18.37	5.36	4.49	0.65	2.02	4.05	1.13	1" - 11.5 NPT	1.65
1 1/4"	28.63	6.22	5.22	0.67	2.52	4.74	1.38	1 1/4" - 11.5 NPT	2.68
1 1/2"	31.23	7.10	5.73	0.67	2.61	4.74	1.63	1 1/2" - 11.5 NPT	3.50
2"	62.14	7.59	6.09	0.69	3.46	5.57	2.13	2" - 11.5 NPT	5.26

**200 PSI Non-Shock Cold Working Pressure  
Maximum Temperature 250°F @ 200 PSI**

Project: \_\_\_\_\_  
 Contractor: \_\_\_\_\_  
 PO/Job No.: \_\_\_\_\_  
 Engineer: \_\_\_\_\_  
 Representative: \_\_\_\_\_  
 Date: \_\_\_\_\_