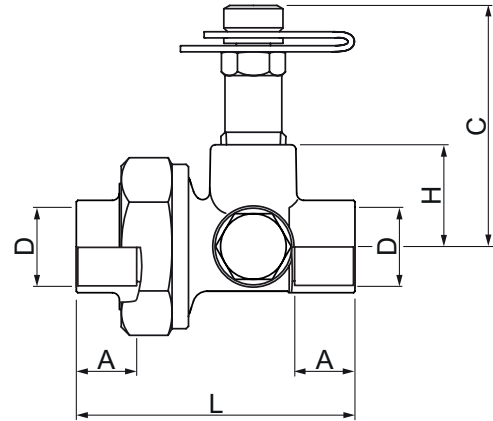


# S-1800 DZR Brass Union with Test Point Solder Ends ASME B16.22 - 1/2" to 2"

Dezincification  
Resistant

| MATERIAL LIST |                          |
|---------------|--------------------------|
| PART          | SPECIFICATION            |
| Body          | Brass - UNS C35330 (DZR) |
| Union Nut     | Brass - UNS C35330 (DZR) |
| Connector     | Brass - UNS C35330 (DZR) |
| O-ring        | EPDM                     |
| Test Point    | Brass - UNS C35330 (DZR) |
| Plug (2)      | Brass - UNS C37700       |

| DIMENSIONS - In. |      |      |      |      |      |             |
|------------------|------|------|------|------|------|-------------|
| Size             | L    | A    | H    | C    | ØD   | Weight Lbs. |
| 1/2"             | 2.30 | 0.50 | 0.85 | 2.03 | 0.63 | 0.49        |
| 3/4"             | 2.80 | 0.75 | 0.98 | 2.14 | 0.88 | 0.60        |
| 1"               | 3.12 | 0.91 | 1.10 | 2.28 | 1.13 | 0.79        |
| 1 1/4"           | 3.31 | 0.97 | 1.22 | 2.40 | 1.38 | 1.11        |
| 1 1/2"           | 3.64 | 1.10 | 1.35 | 2.53 | 1.63 | 1.41        |
| 2"               | 4.13 | 1.34 | 1.59 | 2.77 | 2.13 | 2.01        |



**600 PSI Non-Shock Cold Working Pressure at 100°F**  
**Maximum Temperature 250°F at 200 PSI**

Project: \_\_\_\_\_

Contractor: \_\_\_\_\_

PO/Job No.: \_\_\_\_\_

Engineer: \_\_\_\_\_

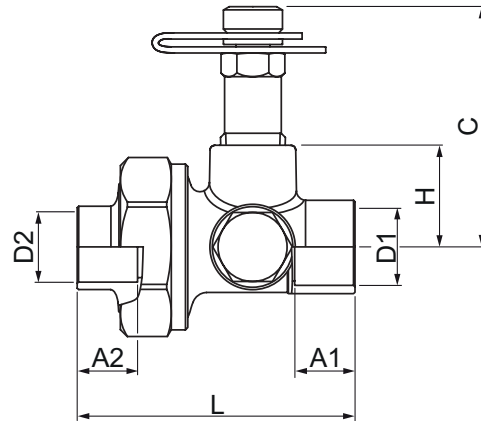
Representative: \_\_\_\_\_

Date: \_\_\_\_\_

# S-1800R DZR Brass Union with Test Point Solder Ends ASME B16.22 - 1/2" to 2"



| MATERIAL LIST |                          |
|---------------|--------------------------|
| PART          | SPECIFICATION            |
| Body          | Brass - UNS C35330 (DZR) |
| Union Nut     | Brass - UNS C35330 (DZR) |
| Connector     | Brass - UNS C35330 (DZR) |
| O-ring        | EPDM                     |
| Test Point    | Brass - UNS C35330 (DZR) |
| Plug (2)      | Brass - UNS C35330 (DZR) |



| DIMENSIONS - In. |      |      |      |      |      |      |      |             |
|------------------|------|------|------|------|------|------|------|-------------|
| Size             | L    | A1   | A2   | H    | C    | ØD1  | ØD2  | Weight Lbs. |
| 3/4" x 1/2"      | 2.55 | 0.75 | 0.50 | 0.98 | 2.14 | 0.88 | 0.63 | 0.58        |
| 1" x 1/2"        | 2.71 | 0.91 | 0.50 | 1.10 | 2.28 | 1.13 | 0.63 | 0.76        |
| 1" x 3/4"        | 2.96 | 0.91 | 0.75 | 1.10 | 2.28 | 1.13 | 0.88 | 0.76        |
| 1 1/4" x 3/4"    | 3.08 | 0.97 | 0.75 | 1.22 | 2.40 | 1.38 | 0.88 | 1.10        |
| 1 1/4" x 1"      | 3.25 | 0.97 | 0.91 | 1.22 | 2.40 | 1.38 | 1.13 | 1.10        |
| 1 1/2" x 1"      | 3.44 | 1.10 | 0.91 | 1.35 | 2.55 | 1.63 | 1.13 | 1.42        |
| 1 1/2" x 1 1/4"  | 3.50 | 1.10 | 0.96 | 1.35 | 2.55 | 1.63 | 1.38 | 1.41        |
| 2" x 1 1/4"      | 3.74 | 1.34 | 0.96 | 1.60 | 2.77 | 2.13 | 1.38 | 2.06        |
| 2" x 1 1/2"      | 3.87 | 1.34 | 1.10 | 1.60 | 2.77 | 2.13 | 1.63 | 2.03        |

**600 PSI Non-Shock Cold Working Pressure at 100°F**  
**Maximum Temperature 250°F at 200 PSI**

Project: \_\_\_\_\_

Contractor: \_\_\_\_\_

PO/Job No.: \_\_\_\_\_

Engineer: \_\_\_\_\_

Representative: \_\_\_\_\_

Date: \_\_\_\_\_