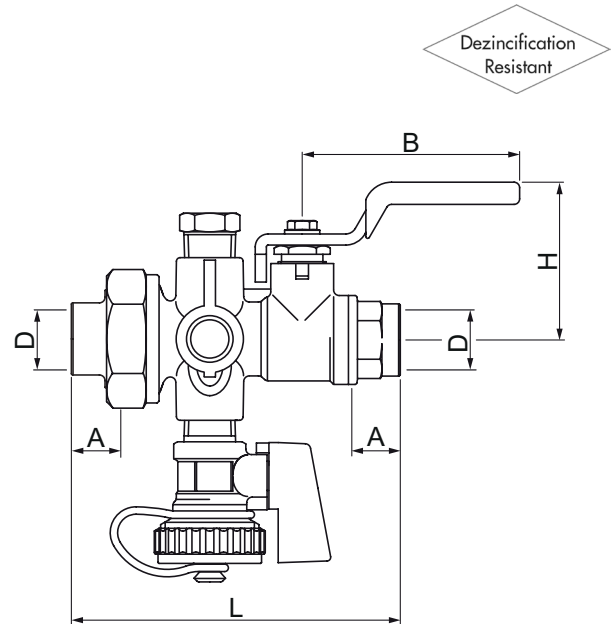


S-1830 DZR Brass Combination Ball Valve with Test Point and Drain Valve Solder Ends ANSI B16.22 - 1/2" to 2"

DIMENSIONS - In.							
Size	Cv	L	A	H	B	ØD	Weight Lbs.
1/2"	5.371	3.50	0.50	1.67	2.31	0.63	0.90
3/4"	10.51	4.06	0.75	1.89	3.78	0.88	1.09
1"	18.36	4.50	0.91	2.02	4.05	1.13	1.47
1 1/4"	28.63	5.03	0.96	2.52	4.74	1.38	2.13
1 1/2"	31.22	5.69	1.10	2.61	4.74	1.63	2.82
2"	62.13	6.53	1.34	3.46	5.57	2.13	4.54

MATERIAL LIST	
PART	SPECIFICATION
Body	Brass - CW602N (DZR)
Body End	Brass - CW602N (DZR)
Ball	Brass - UNS C37700 - Chrome Plated
Inner Seat Ring	PTFE
Stem	Brass - UNS C37700
Stem Seal	PTFE
Lever	Steel - Zinc Plated
Gland Nut	Brass - UNS C37700
O-ring	EPDM
Union Nut	Brass - UNS C37700
Outer Seat Ring	PTFE
Drain Valve	Brass
Test Point	Brass UNS C35330 (DZR)
Connector	Brass CW602N (DZR)
Plug	Brass - UNS C37700



**125 PSI Non-Shock Cold Working Pressure to 175°F
Maximum Temperature 250°F @ 85 PSI**

Project: _____

Contractor: _____

PO/Job No.: _____

Engineer: _____

Representative: _____

Date: _____