

T-1820 DZR Brass Combination Ball Valve with Integral Strainer, Test Point and Drain Valve NPT Threaded Ends - 1/2" to 2"

DIMENSIONS - In.						
Size	L	A	H	B	T - Thread	Weight Lbs.
1/2"	4.71	0.59	1.67	2.31	1/2" - 14 NPT	1.09
3/4"	4.67	0.59	1.89	3.78	3/4" - 14 NPT	1.30
1"	4.95	0.65	2.02	4.05	1" - 11.5 NPT	1.74
1 1/4"	5.79	0.67	2.52	4.74	1 1/4" - 11.5 NPT	2.72
1 1/2"	6.38	0.67	2.61	4.74	1 1/2" - 11.5 NPT	3.44
2"	7.38	0.69	3.46	5.57	2" - 11.5 NPT	5.59

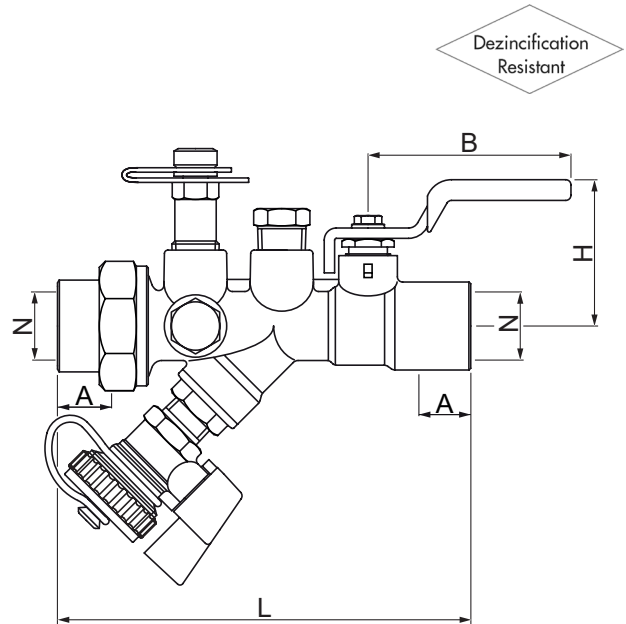
MATERIAL LIST	
PART	SPECIFICATION
Body	Brass - CW602N (DZR)
Seat Retainer	Brass - UNS C37700
Ball	Brass - UNS C37700 - Chrome Plated
Inner Seat Ring	PTFE
Stem	Brass - UNS C37700
Stem Seal	PTFE
Lever	Steel - Zinc Plated
Gland Nut	Brass - UNS C37700
O-ring	EPDM
Union Nut	Brass - UNS C37700
Filter	Stainless Steel 304
Cap	Brass CW602N (DZR)
Outer Seat Ring	PTFE
Test Point	Brass UNS C35330 (DZR)
Connector	Brass CW602N (DZR)
Plug	Brass - UNS C37700

Strainer filter

20 Mesh

**400 PSI Non-Shock Cold Working Pressure to 160°F
Maximum Temperature 260°F @ 150 PSI**

Cv = flow co-efficient = flow in gpm to give a pressure loss of 1 psi



Cv Values						
Size	1/2"	3/4"	1"	1 1/4"	1 1/2"	2"
Cv	5.75	8.23	8.87	26.7	28.3	33.5

Project: _____

Contractor: _____

PO/Job No.: _____

Engineer: _____

Representative: _____

Date: _____