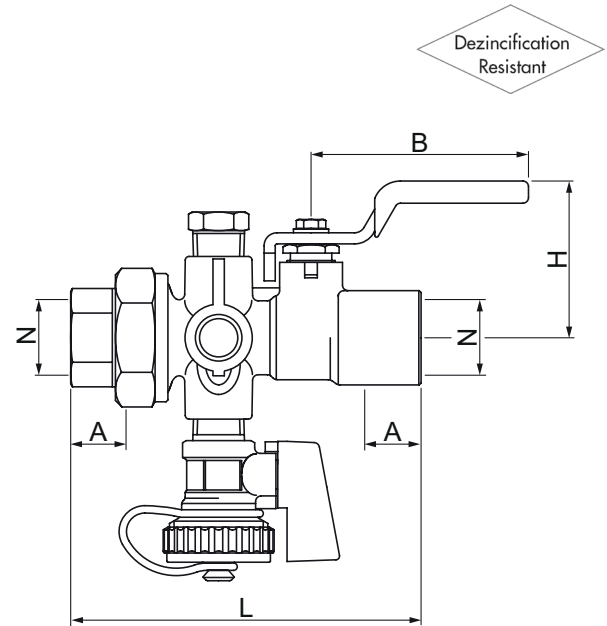


T-1830 DZR Brass Combination Ball Valve with Test Point and Drain Valve NPT Threaded Ends - 1/2" to 2"

DIMENSIONS - In.							
Size	Cv	L	A	H	B	T - Thread	Weight Lbs.
1/2"	5.373	3.73	0.59	1.67	2.31	1/2" - 14 NPT	0.97
3/4"	10.53	3.69	0.59	1.89	3.78	3/4" - 14 NPT	1.13
1"	18.37	3.95	0.65	2.02	4.05	1" - 11.5 NPT	1.48
1 1/4"	28.63	4.38	0.67	2.52	4.74	1 1/4" - 11.5 NPT	2.21
1 1/2"	31.23	4.80	0.67	2.61	4.74	1 1/2" - 11.5 NPT	2.80
2"	62.14	5.24	0.69	3.46	5.57	2" - 11.5 NPT	4.33

MATERIAL LIST	
PART	SPECIFICATION
Body	Brass - CW602N (DZR)
Seat Retainer	Brass - UNS C37700
Ball	Brass - UNS C37700 - Chrome Plated
Inner Seat Ring	PTFE
Stem	Brass - UNS C37700
Stem Seal	PTFE
Lever	Steel - Zinc Plated
Gland Nut	Brass - UNS C37700
O-ring	EPDM
Union Nut	Brass - UNS C37700
Outer Seat Ring	PTFE
Drain Valve	Brass
Test Point	Brass UNS C35330 (DZR)
Connector	Brass CW602N (DZR)
Plug	Brass - UNS C37700



**600 PSI Non-Shock Cold Working Pressure to 160°F
Maximum Temperature 260°F @ 150 PSI**

Project: _____

Contractor: _____

PO/Job No.: _____

Engineer: _____

Representative: _____

Date: _____