

NEW NIBCO® 585HP Lead-Free Bronze Ball Valves

Features: Silicon Performance Bronze® Alloy • Laser-Welded Cast Body • Triple-Sealed Stem • Reversible Handle • Easily Adjustable Packing Nut • Blowout-Proof Stem • Press Ends Leak Detection

Approvals: MSS-SP110/145 • IAPMO/ANSI Z1157 • NSF/ANSI/CAN 61-8 Commercial Hot 180° F • NSF/ANSI 372 • ICC-ES PMG-1558 • ASME A112.4.14/CSA B125.14

Size range: ½" - 2"

Pressure rating: 250 psi non-shock cold working pressure*

Body design pressure: 1,000 psi non-shock cold working pressure

Maximum pressure / temperature: 225 psi at 250° F*

Lead-free markings: Double oval in body casting, white handle and blue hang tag

United States Patent No. 10,234,043 & United States Patent No. 11,131,403



MATERIAL LIST

PART	SPECIFICATION
1. Handle Nut	Carbon Steel, GEOMET® Coated
2. Handle Stop	ASTM A276 S31600 Stainless Steel
3. Stem	ASTM C69300 Lead-free Silicon Bronze
4. Packing	PTFE
5. Packing Nut	ASTM B16 C36000 Brass
6. Stem O-ring (2)	Omonix® EPDM
7. O-ring (2)	EPDM - Leak Detection
8. Boss Seal O-ring (2)	EPDM
9. Body	ASTM B584 C87500 DZR Lead-free Silicon Bronze Casting
10. Seats (2)	Reinforced PTFE
11. Ball	ASTM B584 C46500 DZR Lead-free Brass (½" - 1") ASTM A276 S31600 or A351 CF8M Stainless Steel (1¼" - 2")
12. Body End Piece	ASTM B584 C87500 DZR Lead-free Silicon Bronze Casting
13. Press End Adapter (2)	ASTM B75 Alloy C12200 Wrot Copper
14. Handle	Carbon Steel, GEOMET® Coated, Plastisol Grip

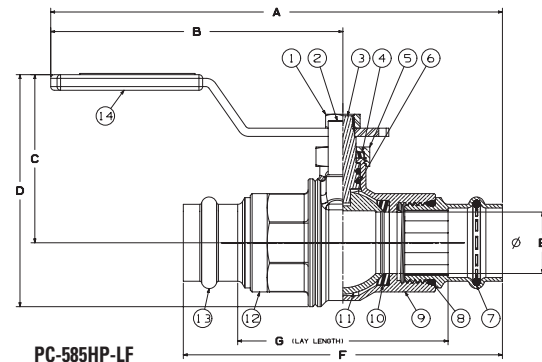


PC-585HP-LF
Press

PC-585HP-66-LF with stainless steel trim also available.

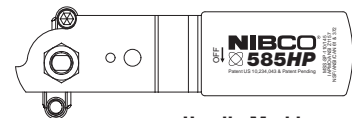
Handle Options:

- NIB-Seal®
- NIB-Seal® Locking Lever
- Locking Lever
- Stainless Steel Locking Lever
- Extended Lever w/ Memory Stop



DIMENSIONS - WEIGHTS

Size	A		B		C		D		E		F		G		Weights	
In.	In.	mm.	In.	mm.	In.	mm.	In.	mm.	In.	mm.	In.	mm.	In.	mm.	lbs.	kg
½"	5.93	151	4.04	103	2.03	52	2.66	68	0.50	13	3.77	96	2.37	60	0.80	0.36
¾"	6.65	169	4.18	106	2.31	59	3.17	81	0.75	19	4.93	125	3.01	76	1.21	0.55
1"	7.35	187	4.75	121	2.74	70	3.78	96	1.00	25	5.19	132	3.42	87	1.58	0.72
1¼"	7.95	202	5.06	129	2.92	74	4.12	105	1.25	32	5.78	147	3.76	96	2.27	1.03
1½"	10.25	260	6.75	171	3.22	82	4.64	118	1.50	38	7.01	178	4.24	108	3.55	1.61
2"	11.03	280	7.12	181	3.68	93	5.46	139	2.00	51	7.80	198	4.78	121	6.26	2.84



Handle Markings

*NIBCO® Press System ball valves are designed to meet MSS SP-110 with the exception of the end connection. Ball valves are down-rated from 1000 psi CWP to 250 psi CWP to match the Press System.

GEOMET® is a registered trademark of NOF Metal Coatings, Inc.

OMONIX® is a trademark of Quadion LLC

WARNING: This product can expose you to chemicals including lead, which is known to the State of California to cause cancer and birth defects or other reproductive harm. For more information go to www.P65Warnings.ca.gov.

LEAD-FREE: Weighted average lead content ≤ 0.25%