

Bronze Ball Valves for System Controls Applications

Two-Piece Body • Full Port • 316SS Trim • Blowout-Proof Stem •
Pre-Assembled with NIBCO Series 2000 Thermoplastic Housed Pneumatic Actuator

600 PSI/41.4 bar non-shock cold working pressure

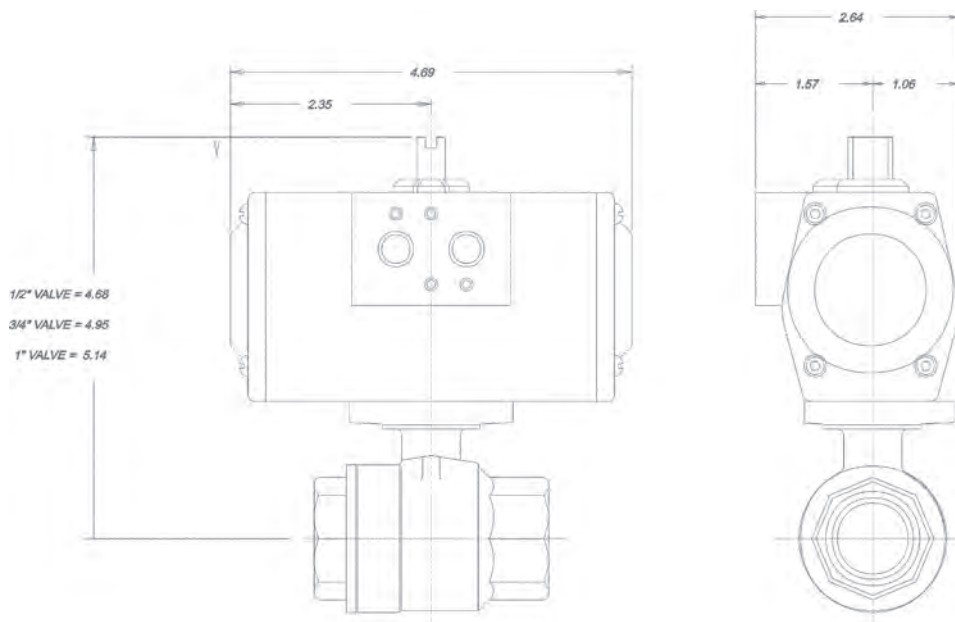
CONFORMS TO MSS SP-110,
ACTUATOR MOUNT PER ISO 5211

MATERIAL LIST

PART	SPECIFICATION
1. Stem	Stainless Steel ASTM A 276 Type 316
2. O-Ring	Fluoroelastomer
3. Thrust Washer	Reinforced PTFE
4. Seat Ring (2)	Carbon Filled PTFE
5. Ball (Vented)	Stainless Steel ASTM A 276 Type 316 or ASTM A 351 Type CF8M
6. Body	Bronze ASTM B 584 Alloy C84400
7. Body End Piece	Bronze ASTM B 584 Alloy C84400
8. Actuator	Glass Reinforced Polyacrylamide



TM-585-70-66-AP



Size	Pressure	Figure Number	Double Acting Actuator	Mount Kit	Figure Number	Spring Return Actuator	Mount Kit
1/2"	100PSI	TM-585-70-66-AP-NDA	NDA2011F03	T117042	TM-585-70-66-AP-NSR	NSR2011F03 3+3	T117042
1/2"	600PSI	TM-585-70-66-AP-NDA	NDA2011F03	T117042	TM-585-70-66-AP-NSR	NSR2011F03 3+3	T117042
3/4"	100PSI	TM-585-70-66-AP-NDA	NDA2011F03	T117042	TM-585-70-66-AP-NSR	NSR2011F03 3+3	T117042
3/4"	600PSI	TM-585-70-66-AP-NDA	NDA2011F03	T117042	TM-585-70-66-AP-NSR	NSR2011F03 3+3	T117042
1"	100PSI	TM-585-70-66-AP-NDA	NDA2011F04	T117043	TM-585-70-66-AP-NSR	NSR2011F04 3+3	T117043
1"	600PSI	TM-585-70-66-AP-NDA	NDA2011F04	T117043	TM-585-70-66-AP-NSR	NSR2011F04 3+3	T117043

Note:

1. Spring return actuators are set for 80PSI air supply standard.
2. Spring return actuators are set for fail to close as standard.
3. Specify size and figure number when ordering.

WARNING: This product can expose you to chemicals including lead, which is known to the State of California to cause cancer and birth defects or other reproductive harm. For more information go to www.P65Warnings.ca.gov.

Visit our website for the most current information.