

Carbon Steel Ball Valves

One-Piece Body • Reduced Port • Blowout-Proof Stem •
CS Trim • Vented Ball • Fire Safe

2000 PSI/138 bar non-shock cold working pressure*

CONFORMS TO API-607 FOURTH EDITION FIRE SAFE
• MSS SP-110

MATERIAL LIST

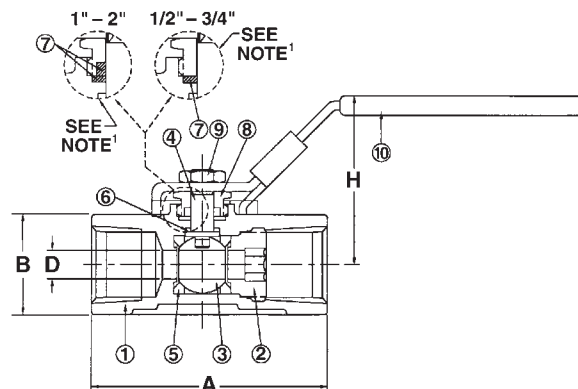
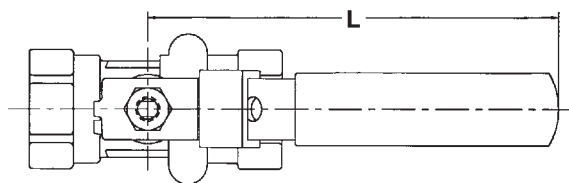
PART	SPECIFICATION
1. Body	Carbon Steel ASTM A 216 Grade WCB
2. Body Insert	Carbon Steel ASTM A 216 Grade WCB
3. Ball (Vented)	Stainless Steel ASTM A 276 or ASTM A 351 Type CF8
4. Stem	Carbon Steel ASTM A 108 Type 1045
5. Seat	Reinforced PTFE
6. Thrust Washer	Carbon Filled PTFE
7. ¹ Stem Packing	Graphoil
8. Threaded Pack Gland	Carbon Steel ASTM A 108 Type 1045
9. Handle Nut	Carbon Steel ASTM A 283
10. Handle	Carbon Steel ASTM A 283

¹ 1/2"-3/4" one each, 1"-2" two each.

NOTE: valves are static grounded by thrust washer and packing.



T-560-CS-R-25-FS-LL
Threaded



T-560-CS-R-25-FS-LL
NPT x NPT

DIMENSIONS—WEIGHTS—QUANTITIES

Size	Dimensions						T-560-CS-R-25-FS-LL		Master Ctn. Qty.
	A	B	D	L	H	Lbs.	Kg.		
In. mm.	In. mm.	In. mm.	In. mm.	In. mm.	In. mm.				
1/2	15 2.60	66 1.10	28 .31	8 4.29	109 1.97	50 .66	.30	50	
3/4	20 2.83	72 1.34	34 .47	12 4.29	109 2.20	56 .93	.42	50	
1	25 3.23	82 1.61	41 .62	16 5.75	146 2.56	65 1.59	.72	40	
1 1/4	32 3.54	90 1.97	50 .81	21 5.75	146 2.76	70 2.22	1.01	20	
1 1/2	40 3.86	98 2.24	57 1.00	25 7.40	188 3.29	84 3.22	1.46	20	
2	50 4.33	110 2.76	70 1.25	32 7.40	188 3.49	89 4.65	2.11	10	

◆ For detailed operating pressure, refer to pressure temperature chart on pages 71 and 72.

Visit our website for the most current information.