

# PVC Ball Valves

One-Piece Molded PVC Body • Threaded or Socket Ends  
Schedule 80

**150 PSI/10.3 Bar Non-Shock Cold Working Pressure to 73° F/23° C**  
**NSF Listed to NSF/ANSI 14 ½"- 2" Sizes**  
**NSF/ANSI/CAN 61 All Sizes**  
**NSF/ANSI/CAN 372 All Sizes**

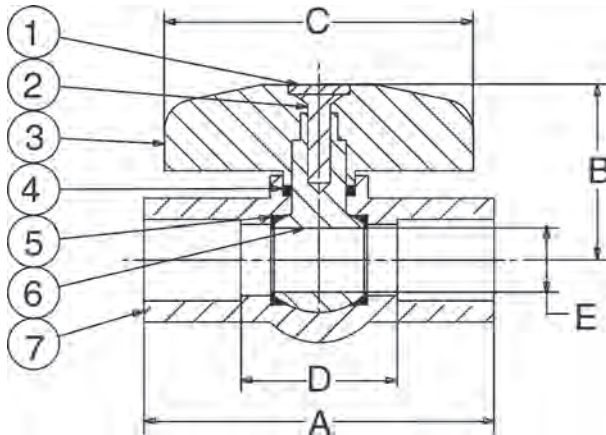


**4660-S**  
Socket Weld

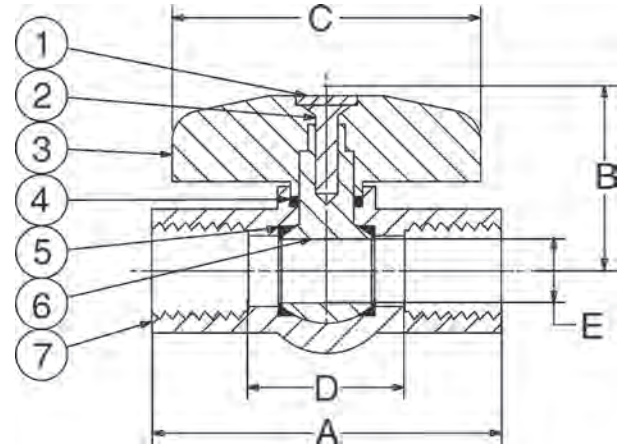
**4660-T**  
Threaded  
(not shown)

## MATERIAL LIST

PART	SPECIFICATION
1. Handle Cap	ABS
2. Screw	Zinc Plated Steel
3. Handle	ABS
4. O-Ring	EPDM
5. Seat Seal (2)	EPDM
6. Ball	PVC ½"- 2" Sizes PP 2 ½"- 4" Sizes
7. Body	PVC



**4660-S**  
Socket x Socket



**4660-T**  
Threaded x Threaded

## DIMENSIONS—WEIGHTS

Size	Dimensions										Weight		Master Ctn. Qty	
	A		B		C		D		E		Lbs.	Kg.		
In.	mm.	In.	mm.	In.	mm.	In.	mm.	In.	mm.	In.	mm.			
½	15	3.27	83	1.77	45	2.76	70	1.52	39	0.55	14	0.18	0.08	100
¾	20	3.74	95	2.13	54	3.46	88	1.74	44	0.79	20	0.31	0.14	100
1	25	4.17	106	2.56	65	3.94	100	1.92	49	0.98	25	0.49	0.22	100
1¼	32	4.49	114	2.64	67	3.94	100	1.99	51	1.18	30	0.57	0.26	100
1½	40	5.12	130	2.99	76	4.29	109	2.37	60	1.42	36	0.88	0.40	48
2	50	5.79	147	3.50	89	5.28	134	2.79	71	1.83	46.5	1.50	0.68	48
2½	65	8.03	204	4.13	105	7.01	178	4.53	115	2.28	58	2.73	1.24	12
3	80	9.02	229	4.88	124	8.82	224	5.27	134	3.03	77	4.01	1.82	12
4	100	11.81	300	5.83	148	10.87	276	7.31	186	3.86	98	8.29	3.77	6

Note: Socket ends per ASTM D 2467  
Thread ends per ASME B1.20.1

**WARNING:** This product can expose you to chemicals including styrene, which is known to the State of California to cause cancer. For more information go to [www.P65Warnings.ca.gov](http://www.P65Warnings.ca.gov).

**\* DO NOT USE OR TEST THE PLASTIC VALVES LISTED IN THIS CATALOG WITH COMPRESSED AIR OR OTHER GASSES.**