

200 PSI Butterfly Valves

Cast Iron Body • Extended Neck • Geometric Drive • Molded-In Seat Liner • Lug and Wafer Style

Sizes 2" through 12"

Install between Std. ASME Class 125 flanges†.

Lug Style 200 PSI bi-directional dead end service rating without a downstream flange required.

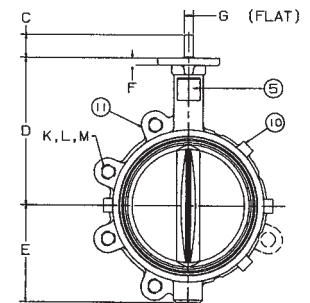
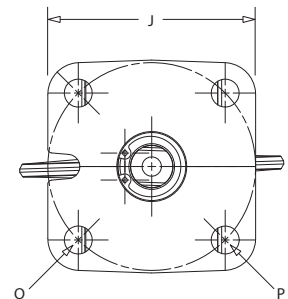
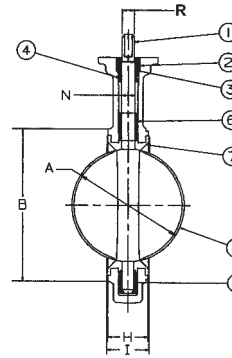
THIRD PARTY CERTIFIED BY QAI TO MEET MSS SP-67 STANDARD • US COAST GUARD "CATEGORY A" • CERTIFIED LEAD-FREE* BY TRUESDAIL LABS TO NSF/ANSI 61-8 COMMERCIAL HOT 180°F AND NSF/ANSI 61 AND 372



WC-2000
Wafer Style
EPDM Liner
and Aluminum
Bronze Disc



LC-2000
Lug Style
EPDM Liner
and Aluminum
Bronze Disc



MATERIAL LIST

PART	SPECIFICATION
1. Stem	Stainless Steel ASTM A582 Type 416
2. Collar Bushing	Brass ASTM B16
3. Stem Seal	EPDM Rubber
4. Body Seal	EPDM Rubber
5. Nameplate	Aluminum
6. Upper Bushing	Copper CDA 122
7. Liner	EPDM Rubber
8. Disc	Alum. Brz. ASTM B148 Alloy 955
9. Lower Bushing	Copper CDA 122
10. Body Wafer	Cast Iron
11. Body Lug	Cast Iron

DIMENSIONS — WEIGHTS

Size	G						Metal		Rubber	J		N
In. mm.	A	B	C	D	E	F	Flat	H	I	Square	Dia.	
2 50	2.53	4.00	1.25	5.38	2.88	.38	.312	1.688	1.812	3.25	.500	
2 1/2 65	2.90	4.69	1.25	5.88	3.27	.38	.370	1.812	1.938	3.25	.562	
3 80	3.15	5.12	1.25	6.12	3.40	.38	.370	1.812	1.938	3.25	.562	
4 100	4.09	6.12	1.25	6.88	4.00	.38	.403	2.062	2.188	3.25	.625	
5 125	5.13	7.25	1.25	7.38	4.75	.38	.496	2.188	2.312	3.25	.750	
6 150	6.13	8.25	1.25	8.00	5.29	.38	.496	2.188	2.312	3.25	.750	
8 200	8.13	10.41	1.25	9.25	6.50	.50	.560	2.375	2.500	3.25	.875	
10 250	10.13	12.52	1.25	10.50	8.00	.50	.686	2.688	2.812	4.75	1.125	
12 300	12.13	15.00	1.25	12.00	9.25	.50	.748	3.000	3.125	4.75	1.250	

Size	Capscrew/Stud Data						Wafer Length	Lug Length	M B.C.	Lug Weight		Wafer Weight	
	O In. mm.	P B.C.	R Dia.	K No.	L Dia.	Length				Lbs.	Kg.	Lbs.	Kg.
2	50	3.25	.437	.437	4	5/8-11unc	Refer to butterfly valve technical information for bolt lengths	4 3/4	7	3.2	5.5	2.5	
2 1/2	65	3.25	.437	.500	4	5/8-11unc		5 1/2	9	4.1	7.5	3.4	
3	80	3.25	.437	.500	4	5/8-11unc		6	9.5	4.3	8	3.6	
4	100	3.25	.437	.562	8	5/8-11unc		7 1/2	15	6.8	11	5.0	
5	125	3.25	.437	.656	8	3/4-10unc		8 1/2	21	9.5	15	6.8	
6	150	3.25	.437	.656	8	3/4-10unc		9 1/2	24	10.9	18	8.2	
8	200	3.25	.437	.781	8	3/4-10unc		11 3/4	34	15.4	28	12.7	
10	250	5.00	.562	1.000	12	7/8-9unc		14 1/4	62	28.1	45.5	20.7	
12	300	5.00	.562	1.062	12	7/8-9unc		17	90	40.9	70	31.8	

†NOTE: lug style valves - extra care should be used when installing with raised face flanges. Overtightening can result in broken lugs.

WARNING: This product can expose you to chemicals including lead, which is known to the State of California to cause cancer and birth defects or other reproductive harm. For more information go to www.P65Warnings.ca.gov.

NOT RECOMMENDED FOR STEAM SERVICE

Visit our website for the most current information.

*Weighted average lead content ≤ 0.25%