

200 PSI Butterfly Valves

Cast Iron Body • Extended Neck • Cartridge Seat Liner* • Wafer Style

Sizes 2" through 12"

Install between Std. ASME Class 125 flanges.

THIRD PARTY CERTIFIED BY QAI TO MEET
MSS SP-67 STANDARD

MATERIAL LIST

PART	SPECIFICATION
1. Body	Cast Iron, Epoxy coated ASTM A126 CL.B
2. Body Bushing	Bronze ASTM B584 Grade C83600
3. Liner	EPDM Rubber w/Phenolic Backing Buna-N Rubber Nitrile w/Phenolic Backing
4. Stem	Stainless Steel ASTM A582 Type 416
5. Disc	Alum. Brz. ASTM B148 Alloy C95400 Ductile Iron ASTM A536 Grade 65-45-12 (plated)
6. Taper Pin (2 pin 6" - 12")	Stainless Steel ASTM A582 Type 416
7. Name Plate	Aluminum
8. Shaft Bushing	Bronze ASTM B584 Grade C83600
9. Stem Seal	Buna-N Rubber Nitrile
10. Retainer Plate	ASTM A570 GR33 Galvanized
11. Bolts M6	ASTM A570 GR33 Galvanized

DIMENSIONS — WEIGHTS

Size	A	Min.	B	C	E	F	G	H	I
In. mm.	Pipe I.D.	Dia.	Dia.	D			Body	Seat	Dia.
2 50	2.08 1.38	3.00 3.94	6.34 1.26	10.75 1.655	1.81 0.496				
2 1/2 65	2.54 1.95	3.50 4.72	6.89 1.26	11.65 1.759	1.93 0.496				
3 80	3.10 2.66	4.09 5.00	7.13 1.26	12.12 1.780	1.93 0.496				
4 100	4.10 3.67	5.32 6.14	7.87 1.26	13.62 2.050	2.18 0.621				
5 125	4.85 4.48	6.26 7.48	8.39 1.26	14.65 2.140	2.31 0.745				
6 150	6.12 5.84	7.42 8.35	8.90 1.26	15.62 2.195	2.33 0.745				
8 200	7.97 7.85	9.38 10.55	10.24 1.77	18.90 2.385	2.52 0.870				
10 250	9.86 9.76	11.51 12.79	11.50 1.77	21.26 2.584	2.83 1.120				
12 300	11.87 11.72	13.55 15.87	13.27 1.77	24.57 3.029	3.19 1.244				

Size	J	B.C.	L	M	R	Q	T	Lug Weight
In. mm.	Dia.	Dia.	Dia.	Dia.	Dia.	Dia.	Flats	Lbs. Kg.
2 50	3.00 2.25	0.28 0.75	4.75 4	5/8-11UNC .350	5.7 2.6			
2 1/2 65	3.03 2.25	0.28 0.75	5.50 4	5/8-11UNC .350	7.5 3.9			
3 80	3.03 2.25	0.28 0.75	6.00 4	5/8-11UNC .350	8.4 3.8			
4 100	3.62 2.75	0.39 0.75	7.50 8	5/8-11UNC .437	12.3 5.6			
5 125	3.62 2.75	0.39 0.88	8.50 8	3/4-10UNC .500	17.2 7.8			
6 150	3.62 2.75	0.39 0.88	9.50 8	3/4-10UNC .500	19.6 8.9			
8 200	4.50 3.50	0.47 0.88	11.75 8	3/4-10UNC .625	29.7 13.5			
10 250	4.50 3.50	0.47 1.00	14.25 12	7/8-9UNC .812	44.0 20.0			
12 300	5.50 4.25	0.47 1.00	17.00 12	7/8-9UNC .875	65.8 29.9			

*Note: refer to NIBCO O & M manual for specified installation instructions for optimal performance of cartridge seat valves

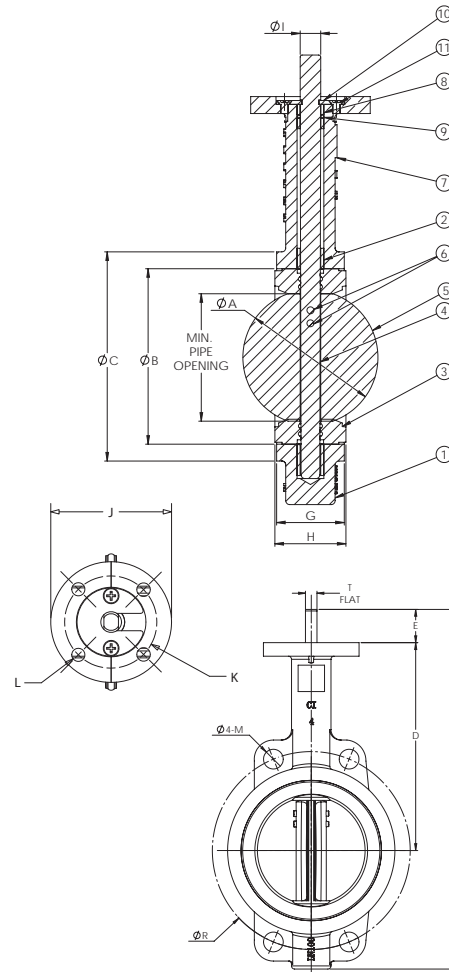


N-200135
Wafer Style
EPDM Liner
Aluminum Bronze Disc

N-200136
Wafer Style
EPDM Liner
Ductile Iron Disc

N-200145
Wafer Style
Buna Liner
Aluminum Bronze Disc

N-200146
Wafer Style
Buna Liner
Ductile Iron Disc



WARNING: This product can expose you to chemicals including lead, which is known to the State of California to cause cancer and birth defects or other reproductive harm. For more information go to www.P65Warnings.ca.gov.

NOT RECOMMENDED
FOR STEAM SERVICE

Visit our website for the most current information.