



PC-FP485-LF PRESS BALL & CHECK VALVE

This innovative press ball and check valve combines a ball valve and an inline check valve (ring check) in one item. The valve is ideal for space-restricted installation (reducing the total lay-length) and for faster installation because it requires no extra fittings or valve components. The ball and check valve is constructed of dezincification-resistant lead-free brass.

BALL VALVES

APPLICATIONS

- Drinking Water
- Domestic Hot and Cold Water
- HVAC (condensers, chilled water, and hot water heating)
- Isolation and Throttling (half-open to full-open only)
- Connect to Rigid Copper Tubing Manufactured per ASTM B88, Condition H (hard drawn)

MATERIALS & CONSTRUCTION

- Lead-free Brass Dezincification Resistant (DZR)
- Press End Leak Detection
- 250 psi CWP
- 150 psi at 250° F
- Two-piece Body
- Full Port
- Blowout-proof Stem
- PTFE Seats

DESIGN CRITERIA

- Size Range: 1/2" - 1 1/2"
- Certified to:
 - IAPMO/ANSI Z1157
 - NSF/ANSI-61 & 372
 - MSS SP-145

LEAD-FREE: Weighted average lead content ≤ 0.25%



NEW

AHEAD OF THE FLOW®

NIBCO INC.
WORLD HEADQUARTERS
WEB: www.nibco.com

1516 MIDDLEBURY STREET
ELKHART, IN 46516-4740
USA

DOMESTIC CUSTOMER SERVICE
PHONE: 800.234.0227
FAX: 800.234.0557

INTERNATIONAL OFFICE
PHONE: +1/574.295.3327
FAX: +1/574.295.3455

NIBCO® Press System Lead-Free Brass Ball & Check Valves

Features: All-in-one Ball and Inline Check Valve • Press Ends Leak Detection • Double Stem Seal • Two-Piece Body • PTFE Seats • Full Port • Blowout-Proof Stem

Approvals: MSS SP-110/145 • IAPMO/ANSI Z1157 • NSF/ANSI 61/372 • Conforms to ASME B16.51†

Size range: 1/2" - 1½"

Pressure rating: 250 psi non-shock cold working pressure

Maximum pressure / temperature: 150 psi at 250° F

Lead-free markings: White handle and blue hang tag

Applications: Drinking Water • Domestic Hot & Cold Water • HVAC (condensors, chilled water, hot water heating) • Isolation and Throttling (half-open to full-open only) • Connect to Rigid Copper Tubing Manufactured per ASTM B88, Condition H (hard drawn)

Reference Press System catalog for updated Approved Tool and Jaw Compatibility Matrix list.

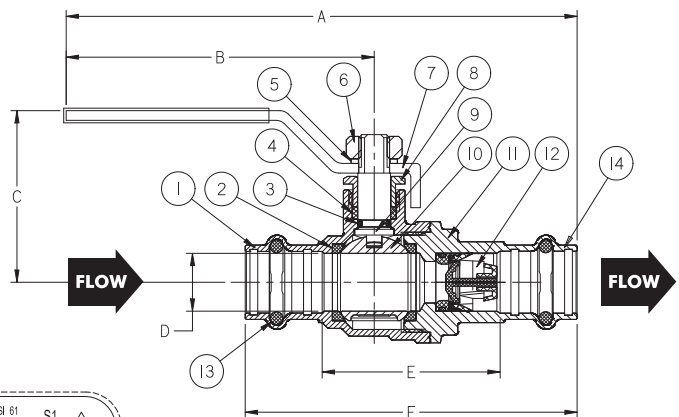
Not intended for steam or gas usage.



PC-FP-485-LF

Press x Press
1/2" - 1½"

(Patent US 10,240,698; sizes 1¼"-1½")



PC-FP-485-LF
Press x Press
1/2" - 1½"

MATERIAL LIST

PART	SPECIFICATION
1. Body	Forged DZR Copper Alloy - C46500
2. Seat Seal (2)	PTFE
3. O-ring	EPDM - ASTM D2000
4. Packing	PTFE
5. Washer	Stainless Steel ASTM 321
6. Lock Nut	Stainless Steel 304
7. Handle	Steel, Plated
8. Nut	Brass
9. Stem	Brass
10. Ball	Chrome Plated Brass - C46500 (½"-1") Stainless Steel 316 (1¼"-1½")
11. End Cap	Forged DZR Copper Alloy - C46500
12. Check Valve	OV25-HT Cartridge
13. O-ring (2)	EPDM - ASTM D2000 (Leak Detect)
14. Metal Ring (2)	Stainless Steel (1¼"-1½")

Options:

- Extended lever
- EPDM Seal for Press Ends
- Wing Handle
- Mini Flat



Handle Markings

DIMENSIONS—WEIGHTS—QUANTITIES

SIZE	A		B		C		D		E		F		Weight	
	In.	mm.	In.	mm.	In.	mm.	In.	mm.	In.	mm.	In.	mm.	Lbs.	Kg.
1/2"	5.87	149.00	3.78	96.00	1.83	46.50	0.631	16.03	1.82	46.20	3.39	86.20	0.50	0.23
3/4"	6.58	167.20	3.98	101.00	2.11	53.50	0.883	22.43	2.39	60.70	4.20	106.70	0.88	0.40
1"	7.36	187.00	4.37	111.00	2.58	65.50	1.140	28.96	2.90	73.70	4.71	119.70	1.42	0.65
1¼"	8.82	224.00	5.04	128.00	2.70	68.50	1.386	35.20	3.62	91.90	5.86	148.90	2.16	0.98
1½"	10.69	271.50	6.22	158.00	3.16	80.20	1.636	41.56	4.22	107.20	7.00	177.70	3.12	1.42

IAPMO/ANSI Z1157: in addition to meeting ICG-157 test requirements, the IAPMO/ANSI Z1157 also requires Press ends to be fully tested to IAPMO PS-117 performance requirements which includes the following additional tests:

†Tested to the performance criteria of ASME B16.51
‡ Patent US 10,240,698

- | | | | |
|--|--|-------------------------|--|
| 1. Unrestrained Hydrostatic Pressure Test at 20 °C (68°F) | 4. Bending Test | 7. Vibration Test | 9. Alternate Thermal Cycling Test |
| 2. Unrestrained Hydrostatic Pressure Test at 93 °C (200°F) | 5. Vacuum Test | 8. Thermal Cycling Test | 10. Dynamic Torsion Test for Press Connections |
| 3. Static Torsion Test for Press Connections | 6. Hydraulic Shock (Water Hammer) Test | | |

WARNING: This product can expose you to chemicals including lead, which is known to the State of California to cause cancer and birth defects or other reproductive harm. For more information go to www.P65Warnings.ca.gov.

Visit our website for the most current information.