

# Lead-Free Bronze Ring Check® Valves

**Features:** Silicon Performance Bronze® Alloy • Inline Lift Type • Resilient Discs • Spring Actuated

**Approvals:** Conforms to MSS SP-139 • NSF/ANSI-61-8 Commercial Hot 180°F (includes annex F and G) and NSF/ANSI-372

**Size range:** 1/2" - 2"

**Pressure rating:** 250 PSI non-shock cold working pressure

**Maximum pressure / temperature:** 100 PSI at 300° F

Lead-free marking: Double oval in body casting



NSF/ANSI 61  
NSF/ANSI 372



## MATERIAL LIST

PART	SPECIFICATION
1. Body	Silicon Bronze ASTM B584 Alloy C87600
2. Stem	Stainless Steel ASTM A582 Alloy S30300
3. Spring	Stainless Steel S31600
4. Disc Holder	Stainless Steel 18-8
5. Disc	PTFE
6. Seat Screw	Stainless Steel 18-8
7. Body End	Silicon Bronze ASTM B584 Alloy C87600



**T-480-Y-LF**  
Threaded

**S-480-Y-LF**  
Solder

## DIMENSIONS—WEIGHTS—QUANTITIES

SIZE	A		B		C		T-480-Y-LF		Master	
In. mm.	In.	mm.	In.	mm.	In.	mm.	Lbs.	Kg.	Ctn Qty.	
1/2	15	2.09	53	1.48	38	1.02	26	0.36	0.16	100
3/4	20	2.18	55	1.74	44	1.07	27	0.48	0.22	100
1	25	2.59	66	2.24	57	1.27	32	0.77	0.35	50
1 1/4	32	2.83	72	2.56	65	1.46	37	1.14	0.51	30
1 1/2	40	3.15	80	2.94	75	1.78	45	1.63	0.74	30
2	50	3.71	94	3.60	91	2.32	59	2.27	1.03	10

SIZE	A		B		C		S-480-Y-LF		Master	
In. mm.	In.	mm.	In.	mm.	In.	mm.	Lbs.	Kg.	Ctn Qty.	
1/2	15	2.05	52	1.48	38	1.05	27	0.4	0.18	100
3/4	20	2.62	67	1.74	44	1.13	29	0.52	0.24	100
1	25	3.26	83	2.24	57	1.44	37	0.85	0.39	50
1 1/4	32	3.51	89	2.56	65	1.57	40	1.28	0.58	30
1 1/2	40	4.08	104	2.94	75	1.90	48	1.75	0.79	30
2	50	4.90	124	3.60	91	2.22	56	2.7	1.23	10

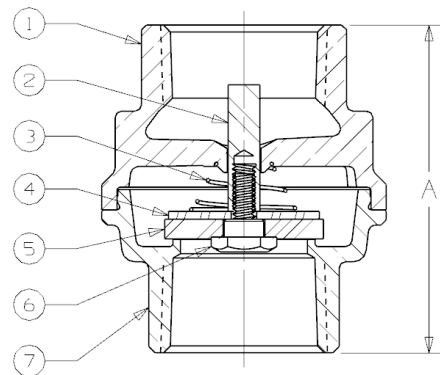
Sizes 1/2" thru 2" require 1/2 pound pressure to open.

NIBCO check valves may be installed in both horizontal and vertical lines with upward flow or in any intermediate position. They will operate satisfactorily in a declining plane (no more than 15°). Install check valves as far from pump discharge or line direction change as possible and at a minimum length of 5 times the pipe diameter.

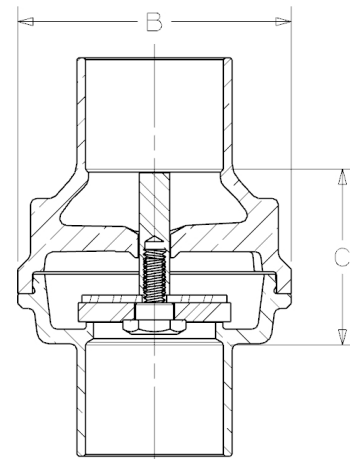
Do not use for reciprocating air compressor service.

**WARNING:** This product can expose you to chemicals including lead, which is known to the State of California to cause cancer and birth defects or other reproductive harm. For more information go to [www.P65Warnings.ca.gov](http://www.P65Warnings.ca.gov).

LEAD-FREE: Weighted average lead content ≤ 0.25%



**T-480-Y-LF**  
NPT x NPT



**S-480-Y-LF**  
C x C