

Lead-Free* 250 PSI WWP Iron Body Check Valves

Fire Protection Valve • UL listed FM Approved
 Double-Door • Wafer Style • Rubber Seat • Spring Actuated

CERTIFIED LEAD-FREE* BY WQA TO NSF/ANSI 372
 UL/ULC LISTED • FM APPROVED*

MATERIAL LIST

PART	SPECIFICATION
1. Body	Ductile Iron ASTM A536, Grade 65-45-12 - 2½" thru 12" 14" thru 16" Cast Iron ASTM 126, Class B w/ Buna-N (Nitrile) resilient seat molded to body
2. Disc	Bronze ASTM B584 Alloy C87600 (2½" - 12") Aluminum Bronze ASTM B148, C95200 (14"-16")
3. Torsion Spring	Stainless Steel UNS 31600 ASTM A313
4. Hinge Pin	Stainless Steel UNS 31600 ASTM A276
5. Stop Pin	Stainless Steel UNS 31600 ASTM A276
6. Thrust Bearing	Stainless Steel UNS 31600 ASTM A240
7. Hinge Pin Retainer	Stainless Steel UNS 31600
8. Stop Pin Retainer	Stainless Steel UNS 31600
9. Stabilization Sphere	Buna-N
10. Spacer	Stainless Steel UNS S31600 ASTM A276



KW-900-W-LF
 Wafer Style
 2½" - 12"
 (excluding 5" & 6")

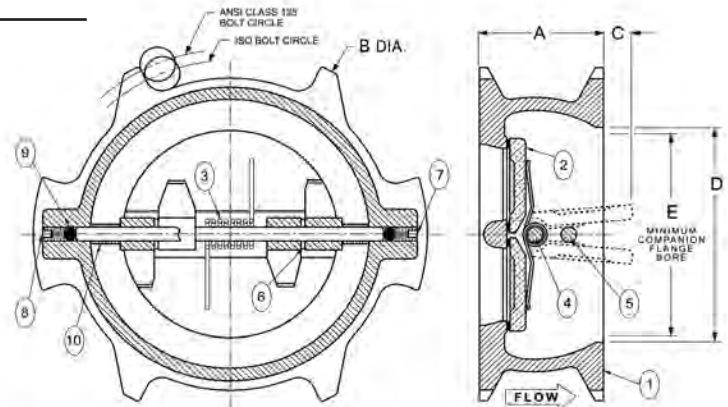


C USA
COMPONENT LEAD-FREE

C UL US LISTED
 sizes
 2-1/2" - 12" only



- NOTE:** Twin Disc Check Valves can be installed horizontally or in the vertical position with flow up.
- CAUTION:** For horizontal flow applications, the valve must be installed with disc hinge pin in the vertical position to insure proper operation.
- WARNING:**
- These are not to be used as steam valves
 - Valves are not to be used near a reciprocating air compressor
 - Install 5 pipe diameters minimum downstream from pump discharge or elbows to avoid flow turbulence. Flow straighteners may be required in extreme cases.
- NOTE:** On pump discharge, the preferred check valves are in-line spring loaded.



Drawing for sizes 2½" thru 12"

KW-900-W-LF
 Wafer



KW-900-W-LF

Wafer Style
 Body Style 5", 6", 14" & 16"

DIMENSIONS—WEIGHTS—QUANTITIES

Size	Dimensions										Weight	
	A		B		C		D		E		C/V	Lbs.
In. mm.	In. mm.	In. mm.	In. mm.	In. mm.	In. mm.	In. mm.	In. mm.	In. mm.	In. mm.			
2½ 65	2.38 60	6.00 152	.125 3	3.50 89	1.313 33	108	4.3	1.95				
3 80	2.63 67	5.63 143	.188 5	3.875 98	1.688 43	178	6.1	2.77				
4 100	2.63 67	7.75 197	.625 16	4.75 121	3.063 78	440	8.8	3.99				
5 125	3.25 83	7.56 192	.813 21	5.50 140	3.625 92	560	13.0	5.90				
6 150	3.75 95	8.63 219	.813 21	6.25 159	4.250 108	840	18.0	8.16				
8 200	5.00 127	12.25 311	1.000 25	8.00 203	5.500 140	1600	37.0	16.78				
10 250	5.50 140	14.75 375	2.060 54	10.25 257	8.500 216	2700	65.0	29.48				
12 300	7.13 181	17.38 441	1.938 49	12.00 305	9.250 235	4700	94.0	42.64				
14 350	7.25 184	17.75 451	3.250 83	14.38 —	12.500 330	5200	200.0	90.75				
16 400	7.50 191	20.25 514	4.500 114	16.38 —	15.000 381	7200	285.0	129.28				

*Note: 14" and 16" sizes, 150 PSI WWP, FM approved only – P.O.A.

Features

- Spring loaded for fast closure, eliminating reverse flow slam and water hammer.
- Easily installed, with gasket, between standard class 125 flanges.
- Only one set of flange studs is needed.
- May be installed in both horizontal and vertical lines with upward flow.

*Lead Free refers to the wetted surface of pipe, fittings and fixtures in potable water systems that have a weighted average lead content ≤ 0.25% per the Safe Drinking Water Act (Sec. 1417) amended 1-4-2011 and other equivalent state regulations.

WARNING: This product can expose you to chemicals including lead, which is known to the State of California to cause cancer and birth defects or other reproductive harm. For more information go to www.P65Warnings.ca.gov.

Visit our website for the most current information.