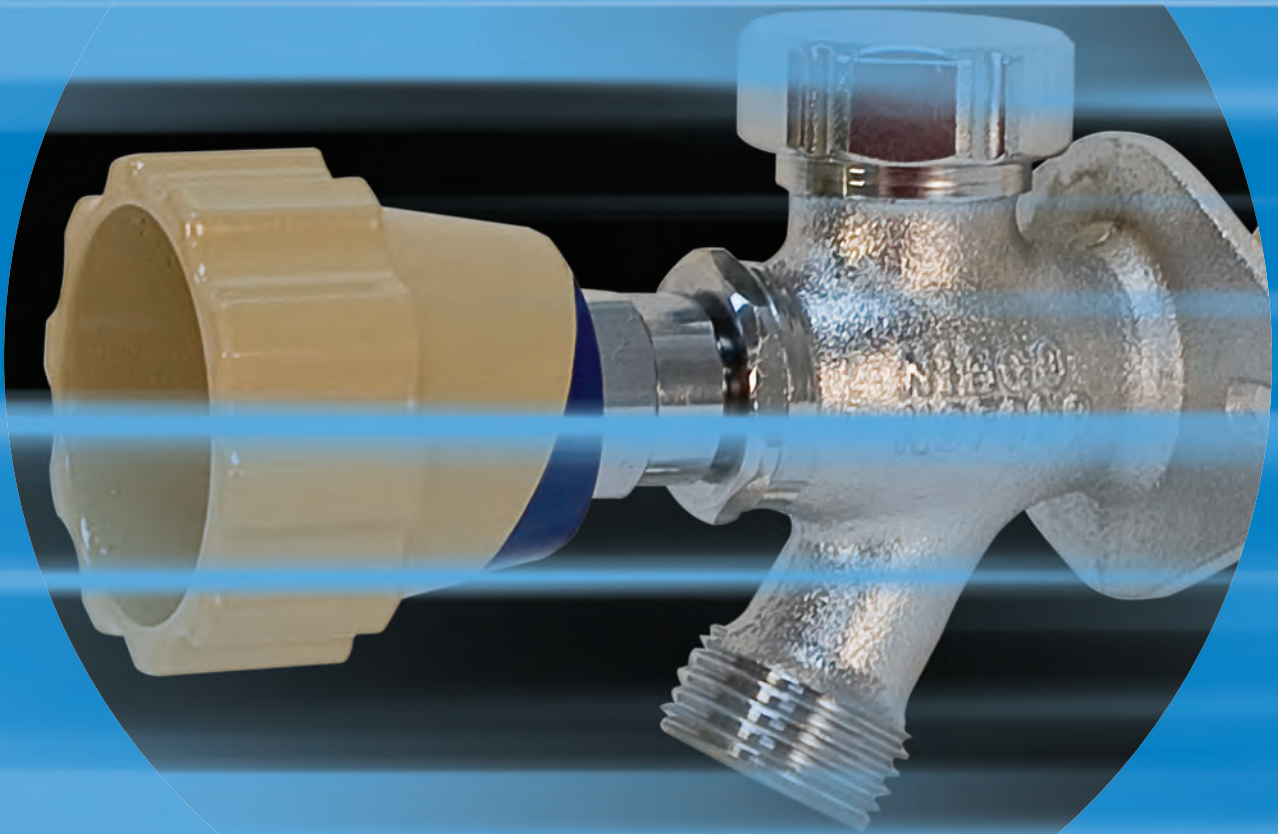


C-SVP-1018

NIBCO®

AHEAD OF THE FLOW®



Specialty Valve Products

Business-to-Business Solutions

Look to NIBCO for technology leadership.

The velocity with which e-business evolves demands that new products and services be continuously developed and introduced to keep our customers at the center of our business efforts. NIBCO provides an entire suite of business-to-business solutions that is changing the way we interact with customers.



NIBCOpartner.comSM is an exclusive set of secure web applications that allow quick access to customer-specific information and online order processing. This self-service approach gives you 24/7 access to your order status putting you in total control of your business.

Real time information includes:

- Online order entry
- Viewable invoices & reports
- Inventory availability
- Current price checks
- Order status
- Online library of price sheets, catalogs & submittals



Electronic Data Interchange (EDI) makes it possible to trade business documents at the speed of light. This technology cuts the cost of each transaction by eliminating the manual labor and paperwork involved in traditional order taking. This amounts to cost-savings, increased accuracy and better use of resources.

With EDI, you can trade:

- Purchase orders
- PO Acknowledgements
- Invoices
- Product activity data
- Advanced ship notices
- Remittance advice



Vendor Managed Inventory (VMI), a sophisticated service for automated inventory management, reduces your overhead by transferring inventory management, order entry and forecasting to NIBCO. This is an on-going, interactive partnership with NIBCO.

Through automation, VMI brings results:

- Improves customer service
- Optimum inventory efficiencies
- Better forecasting
- Cuts transaction costs
- Peace of mind
- Relief from day-to-day management





Table of Contents

Visit our website for the most current information .

	Page
Two Piece Ball Valves	
T/S-580-A	4
T/S-FP-600-A	5
S-FP-600-AD	6
Gas Ball Valves	
GB1A	7
GB2A	7
GBVA38M/GBVA12M	8
GBVA	8
GBVA38FL/GBVA12FL	8
Boiler Drains	
QT73X	9
QT74X	9
72	10
73-CL	10
74-CL	10
74-2	10
4464	10
Hose Bibbs	
QT54X	11
QT55X	11
QT56X	11
QT57X	11
Garden Valves	
61	12
Sillcocks	
95C	13
QT63X	14
QT763X	14
QT763IX	14
Bronze & Brass Gate and Check Valves	
T/S-29	15
TI/SI-8	16
T/S-480	17
TI/SI-3	18
Washer Box Valves	
64L	19
Plastic Valves	
4660-S/T	20
4770	21
FaucetLock™	22
Low Pressure Valve Handwheel Options	23
Metal Connections	24-25
Frostproof Sillcock Maintenance & Installation	26
Figure Number Comparisons	27-28
Warranty	30

Visit our website for the most current information.

Consult the NIBCO® Lead Free Valves Catalog for the following products:



- **Lead-Free* PRO-Stop® Supply Stops**



- **Lead-Free* Ball Valves**



- **Lead-Free* Stop & Waste Valves**

*Weighted average lead content ≤ 0.25%

Brass Ball Valves

Two-Piece Body • Standard Port • Blowout-Proof Stem • PTFE Seats

400 PSI/28 Bar Non-Shock Cold Working Pressure

MATERIAL LIST

PART	SPECIFICATION
1 Body	Forged Brass ¹ CU > 57%
2 End Cap	Forged Brass ¹ CU > 57%
3 Ball Seat	PTFE
4 Ball	Brass, Chrome Plated
5 Stem	Brass
6 O-Ring	Fluorocarbon (FKM)
7 Stem Packing	PTFE
8 Packing Nut	Brass
9 Lever Handle	Steel, Plated
10 Lock Washer	Stainless Steel
11 Stem Nut	Stainless Steel

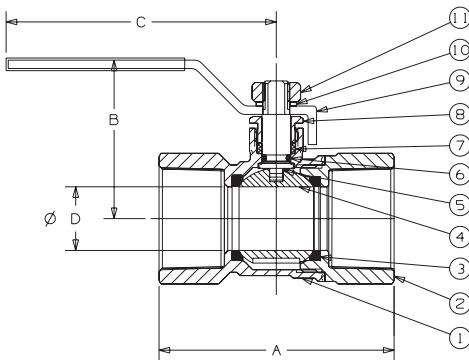
Note: ¹ For Material Certification, contact NIBCO Technical Services.



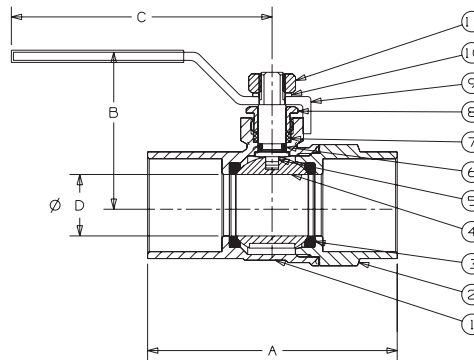
T-580-A
Threaded



S-580-A
Solder



T-580-A
NPT x NPT



S-580-A
C x C

DIMENSIONS—WEIGHTS—QUANTITIES

Size	Dimensions										T-580-A Wt.		S-580-A Wt.		Ctn. Qty	
	A	A	B	C	D Port	T-580-A	S-580-A	Lbs.	Kg.	Lbs.	Kg.					
1/2	15	2.16	55	1.95	50	1.58	40	3.74	95	0.39	10	0.36	0.16	0.29	0.13	16
3/4	20	2.19	56	2.50	64	1.79	45	3.74	95	0.59	15	0.48	0.22	0.44	0.20	12
1	25	2.76	70	3.04	77	2.06	52	3.94	100	0.75	19	0.85	0.39	0.71	0.32	6
1 1/4	32	3.13	80	3.49	89	2.54	65	4.50	114	0.98	25	1.14	0.52	1.07	0.49	4
1 1/2	40	3.40	86	3.98	101	2.59	66	5.00	127	1.18	30	1.71	0.78	1.48	0.67	2
2	50	3.73	95	4.76	121	2.95	75	6.18	157	1.46	37	2.41	1.09	2.41	1.09	2

Note: S-580-A series to be soft soldered into lines using solder with the melting point not exceeding 470° F. Use of higher temperature solders may damage the seat material.



WARNING: This product can expose you to chemicals including lead, which is known to the State of California to cause cancer and birth defects or other reproductive harm. For more information go to www.P65Warnings.ca.gov.

NOT FOR USE WITH POTABLE DRINKING WATER APPLICATIONS AFTER JANUARY 3, 2014.

Brass Ball Valves

Two-Piece Body • Full Port • Blowout-Proof Stem • PTFE Seats
1/4"-2" 600 PSI/41.4 Bar Non-Shock Cold Working Pressure
2 1/2"-4" 400 PSI/27.6 Bar Non-Shock Cold Working Pressure

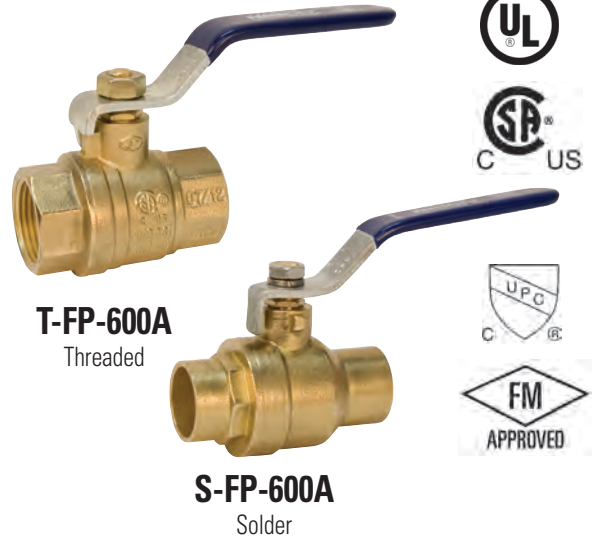
CSA CERTIFIED TO ASME B16.44 AND CR91-002 (THREADED 1/4"-4")
 • UL LISTED (THREADED 1/4"-4") • FM APPROVED (THREADED 1/4"-2")
 • CRN: 0C19353.5XX*

Threaded
 CSA (1/4" - 4"):
 • CR91-002: 1/2 psig, 2 psig, and 5 psig (these are specific approved categories)
 • ASME B16.33: 125 psig (maximum)
 • Temperature is -4° F to 194° F

Threaded
 FM (1/4" - 2"):
 • 175wvp Threaded

UL, Gas and Oil (1/4" - 4"):
 • YQNZ, Compressed Gas Shutoff Valves: 250 psi
 • YRBX, Flammable Liquid Shutoff Valves: 250 psi
 • YRPV, Gas Shutoff Valves: 250 psi
 • YSDT, LP-Gas Shutoff Valves: 250 psi
 • MHKZ, Manual Valves: 250 psi

*Please contact Technical Customer Service for the CRN Jurisdictions/Provinces list



MATERIAL LIST

PART	SPECIFICATION
1. Body	Forged Brass ² CU > 57%
2. End Cap	Forged Brass ² CU > 57%
3. Ball Seat	PTFE
4. Ball	Chrome Plated Brass - C46500 (1/4"-1"), Stainless Steel 316 (1 1/4"-4")
5. Stem	Brass
6. O-Ring (Stem Seal)*	Fluorocarbon (FKM)
7. Stem Packing	PTFE
8. Packing Nut	Brass
9. Lever Handle ¹	Steel, Plated
10. Lock Washer*	Stainless Steel
11. Handle Nut ¹	Stainless Steel

Note: * Parts 6 and 10 are applicable of S-FP-600A only.
¹ Due to Standard Approvals, Lever Handles and Nuts are not interchangeable between Solder and Threaded.
² For Material Certification, contact NIBCO Technical Services.

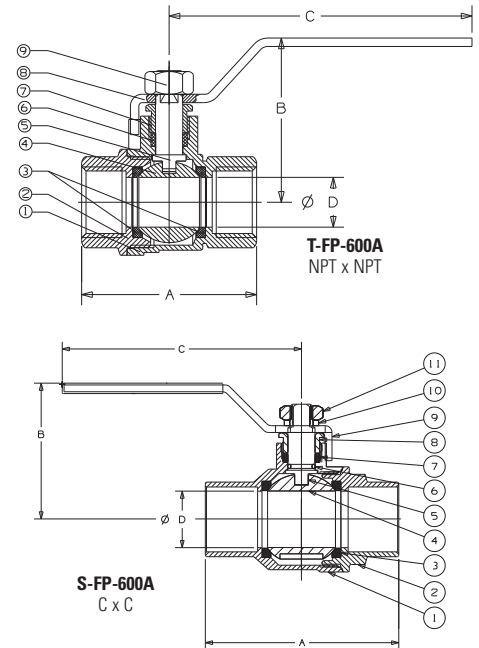
DIMENSIONS—WEIGHTS—QUANTITIES

Dimensions

Size	T-FP-600A		S-FP-600A		T-FP-600A		S-FP-600A		T-FP-600A		S-FP-600A		Port		T-FP-600A		S-FP-600A		T-FP-600A		S-FP-600A	
	A	A	B	B	C	C	D	D	Lbs.	Kg.	Lbs.	Kg.	Ctn. Qty.	Ctn. Qty.	Lbs.	Kg.	Lbs.	Kg.	Ctn. Qty.	Ctn. Qty.		
1/4	8	1.76	45	—	—	1.73	44	—	—	3.54	90	—	—	.39	10	.33	.15	—	—	18	—	
3/8	10	1.76	45	1.75	44	1.73	44	1.58	40	3.54	90	3.78	96	.39	10	.30	.14	.38	.17	18	18	
1/2	15	2.05	52	2.01	51	1.92	49	1.78	45	3.54	90	3.78	96	.59	15	.44	.20	.40	.18	18	18	
3/4	20	2.36	60	2.74	70	2.09	53	2.13	54	3.78	96	3.98	101	.75	19	.66	.30	.67	.30	12	12	
1	25	2.76	70	3.35	85	2.56	65	2.52	64	4.53	115	4.41	112	.98	25	1.10	.50	1.12	.51	6	6	
1 1/4	32	3.31	84	3.78	96	2.95	75	2.65	67	4.53	115	5.04	128	1.26	32	1.57	.71	1.49	.67	4	4	
1 1/2	40	3.66	93	4.42	112	3.35	85	3.12	79	5.51	140	6.22	158	1.57	40	2.40	1.09	2.38	1.08	2	2	
2	50	4.18	106	5.34	136	3.68	93	3.41	87	5.51	140	6.22	158	1.97	50	3.37	1.53	3.62	1.64	2	2	
2 1/2	65	5.38	137	6.28	160	4.76	121	4.76	121	8.66	220	8.66	220	2.56	65	7.60	3.45	6.36	2.88	3	3	
3	75	6.04	153	7.15	182	5.08	129	5.08	129	8.66	220	8.66	220	2.95	75	9.36	4.24	8.32	3.77	2	2	
4	100	7.39	188	—	—	5.87	149	—	—	9.61	244	—	—	3.89	99	16.85	7.64	—	—	1	—	

NOT FOR USE WITH POTABLE DRINKING WATER APPLICATIONS AFTER JANUARY 3, 2014.

WARNING: This product can expose you to chemicals including lead, which is known to the State of California to cause cancer and birth defects or other reproductive harm. For more information go to www.P65Warnings.ca.gov.



Brass Ball Valves

Two-Piece Body • Full Port • Blowout-Proof Stem • PTFE Seats • w/ Drain

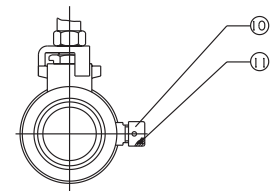
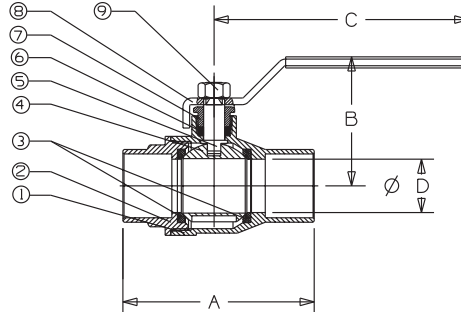
600 PSI/41.4 Bar Non-Shock Cold Working Pressure



S-FP-600-AD
Solder

MATERIAL LIST	
PART	SPECIFICATION
1. Body	Forged Brass ¹ CU > 57%
2. End Cap	Forged Brass ¹ CU > 57%
3. Ball Seat	PTFE
4. Ball	Brass, Chrome Plated
5. Stem	Brass
6. Stem Packing	PTFE
7. Packing Nut	Brass
8. Lever Handle	Steel, Plated
9. Handle Nut	Stainless Steel
10. Drainable Cap	Brass
11. Rubber Seat	Silicone

Note: ¹ For Material Certification, contact NIBCO Technical Services.



S-FP-600-AD
C x C

DIMENSIONS—WEIGHTS—QUANTITIES

Size	Dimensions								Weight			
	A		B		C		D		Lbs.	Kg.	Ctn Qty.	
In. mm.	In.	mm.	In.	mm.	In.	mm.	In.	mm.				
½	15	2.16	55	1.67	42	3.54	90	.58	15	.54	.24	20
¾	20	2.85	72	2.03	52	4.47	114	.75	19	.76	.34	12
1	25	3.38	86	2.24	57	4.47	114	.95	24	1.07	.49	6

WARNING: This product can expose you to chemicals including lead, which is known to the State of California to cause cancer and birth defects or other reproductive harm. For more information go to www.P65Warnings.ca.gov.

NOT FOR USE WITH POTABLE DRINKING WATER APPLICATIONS AFTER JANUARY 3, 2014.

Gas Ball Valve

GB10*/GB1A Female x Female, Lever Handle

- CSA Certified to ½ PSI for indoor appliance connections per ANSI Z21.15/CSA 9.1
- 5 PSI for indoor shutoff per CGA CR91-002 and ASME B16.44
- 600 PSI CWP Rated

MATERIAL LIST

PART	SPECIFICATION
1. Body	Forged Brass ¹ CU>57%
2. End Piece	Forged Brass ¹ CU>57%
3. Seat	PTFE, Glass Reinforced
4. Ball	Brass, Chrome Plated
5. Stem	Brass
6. O-Ring	Nitrile
7. Handle	Aluminum, Painted Red
8. Nut	Steel, Plated
9. ID Plate	Aluminum

DIMENSIONS—WEIGHT

Size (In.)	A	B	C	D	E	Wt. (lbs)
¾	1.91	1.14	1.19	0.39	0.51	.31
½	2.21	1.19	1.19	0.47	0.61	.36
¾	2.45	1.26	1.19	0.59	0.67	.47
1	2.76	1.36	1.19	0.75	0.71	.91

*GB10, 3/8" not CSA certified

¹ For material certification, contact NIBCO Technical Services

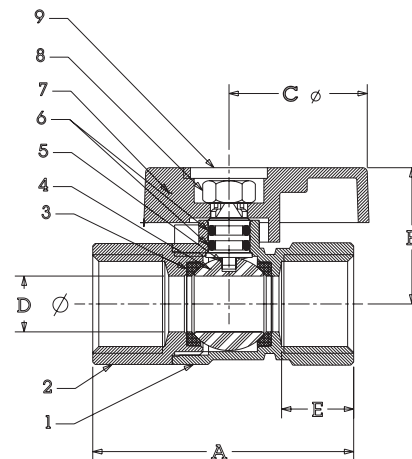
NOT FOR USE WITH POTABLE DRINKING WATER APPLICATIONS AFTER JANUARY 3, 2014.



WARNING: This product can expose you to chemicals including lead, which is known to the State of California to cause cancer and birth defects or other reproductive harm. For more information go to www.P65Warnings.ca.gov.



GB1A



GB2A Female x Female, Square Head

- CSA Certified to ½ PSI for indoor appliance connections per ANSI Z21.15/CSA 9.1
- 5 PSI for indoor shutoff per CGA CR91-002 and ASME B16.44
- 600 PSI CWP Rated

MATERIAL LIST

PART	SPECIFICATION
1. Body	Forged Brass ¹ CU>57%
2. End Piece	Forged Brass ¹ CU>55%
3. Seat	PTFE, Glass Reinforced
4. Ball	Brass, Chrome Plated
5. Stem	Brass
6. O-Ring	Nitrile
7. Handle	Copper Alloy Painted Red
8. Screw	Steel, plated

DIMENSIONS—WEIGHT

Size (In.)	A	B	C	D	E	Wt. (lbs)
½	2.21	1.44	.95	.47	.61	.34
¾	2.45	1.56	.95	.59	.67	.45

Note: ¹ For Material Certification, contact NIBCO Technical Services.

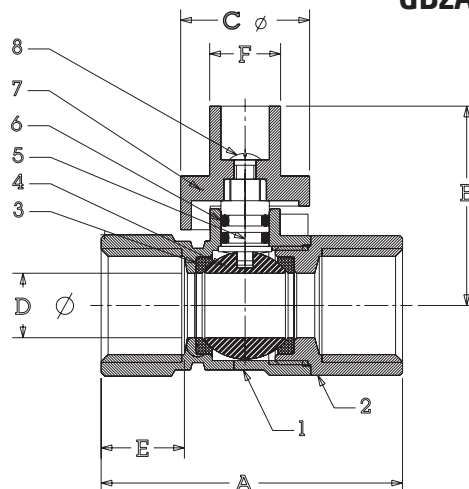


WARNING: This product can expose you to chemicals including lead, which is known to the State of California to cause cancer and birth defects or other reproductive harm. For more information go to www.P65Warnings.ca.gov.

NOT FOR USE WITH POTABLE DRINKING WATER APPLICATIONS AFTER JANUARY 3, 2014.



GB2A



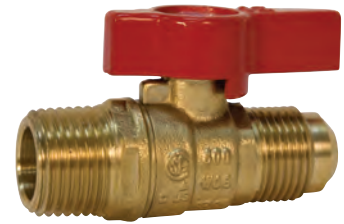
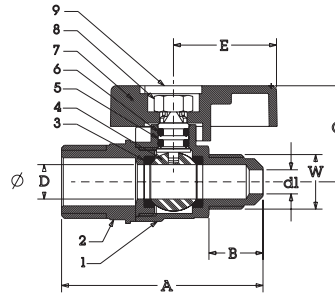
Gas Ball Valve

GBV38M*/GBVA12M — Flare x MPT, Lever Handle

- CSA Certified to ½ PSI for indoor appliance connections per ANSI Z21.15/CSA 9.1
- 5 PSI for indoor shut-off per ASME B16.44 and CGA CR91-002

MATERIAL LIST

PART	SPECIFICATION
1. Body	Forged Brass ¹ CU>57%
2. End Piece	Forged Brass ¹ CU>57%
3. Seat	PTFE, Glass Reinforced
4. Ball	Brass, Chrome Plated
5. Stem	Brass
6. O-Ring	Nitrile
7. Handle	Aluminum, Painted Red
8. Nut	Steel, Plated
9. ID Plate	Aluminum



DIMENSIONS—WEIGHT

Size (In.)	A	B	C	d ¹	D	E	W	Wgt
3/8	2.35	.62	1.14	.28	.39	1.19	5/8-18 UNF	.34
1/2	2.47	.75	1.14	.39	.39	1.19	3/4-16 UNF	.36

* GBV3/8 and GBV12FL not CSA certified

Note: ¹ For Material Certification, contact NIBCO Technical Services.

NOT FOR USE WITH POTABLE DRINKING WATER APPLICATIONS AFTER JANUARY 3, 2014.



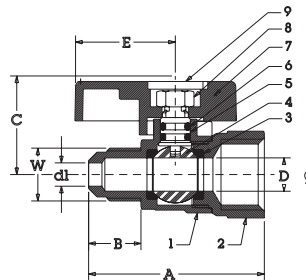
WARNING: This product can expose you to chemicals including lead, which is known to the State of California to cause cancer and birth defects or other reproductive harm. For more information go to www.P65Warnings.ca.gov.

GBVA — Flare x FPT, Lever Handle

- CSA Certified to ½ PSI for indoor appliance connections per ANSI Z21.15/CSA 9.1
- 5 PSI for indoor shut-off per ASME B16.44 and CGA CR91-002

MATERIAL LIST

PART	SPECIFICATION
1. Body	Forged Brass ¹ CU>57%
2. End Piece	Forged Brass ¹ CU>57%
3. Seat	PTFE, Glass Reinforced
4. Ball	Brass, Chrome Plated
5. Stem	Brass
6. O-Ring	Nitrile
7. Handle	Aluminum, Painted Red
8. Ball Seat	PTFE
9. Nut	Steel, Plated
10. ID Plate	Aluminum



DIMENSIONS—WEIGHT

Size (In.)	A	B	C	d ¹	D	E	W	Wgt
3/8	2.13	.62	1.14	.28	.39	1.19	5/8-18 UNF	.35
1/2	2.25	.75	1.14	.39	.39	1.19	3/4-16 UNF	.44

Note: ¹ For Material Certification, contact NIBCO Technical Services.

NOT FOR USE WITH POTABLE DRINKING WATER APPLICATIONS AFTER JANUARY 3, 2014.



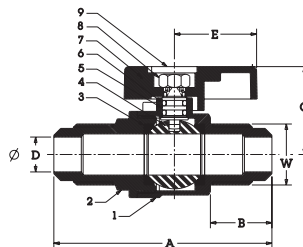
WARNING: This product can expose you to chemicals including lead, which is known to the State of California to cause cancer and birth defects or other reproductive harm. For more information go to www.P65Warnings.ca.gov.

GBVA38FL/GBV12FL* — Flare x Flare, Lever Handle

- CSA Certified to ½ PSI for indoor appliance connections per ANSI Z21.15/CSA 9.1
- 5 PSI for indoor shut-off per ASME B16.44 and CGA CR91-002

MATERIAL LIST

PART	SPECIFICATION
1. Body	Forged Brass ¹ CU>57%
2. End Piece	Forged Brass ¹ CU>57%
3. Seat	PTFE, Glass Reinforced
4. Ball	Brass, Chrome Plated
5. Stem	Brass
6. O-Ring	Nitrile
7. Handle	Aluminum, Painted Red
8. Ball Seat	PTFE
9. Nut	Steel, Plated
10. ID Plate	Aluminum



DIMENSIONS—WEIGHT

Size (In.)	A	B	C	D	E	W	Wgt
3/8	2.37	.62	1.14	.28	1.19	5/8-18 UNF	.36
1/2	2.62	.75	1.14	.39	1.19	3/4-16 UNF	.47

* GBV3/8 and GBV12FL not CSA certified

Note: ¹ For Material Certification, contact NIBCO Technical Services.

NOT FOR USE WITH POTABLE DRINKING WATER APPLICATIONS AFTER JANUARY 3, 2014.



WARNING: This product can expose you to chemicals including lead, which is known to the State of California to cause cancer and birth defects or other reproductive harm. For more information go to www.P65Warnings.ca.gov.

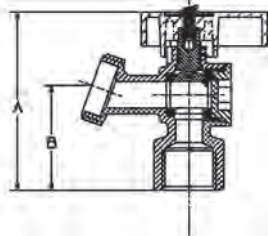
Quarter-Turn Boiler Drains

125 lb. CWP to 100°F

Maximum Temperature 180°F

QUARTER-TURN BOILER DRAINS MATERIAL LIST

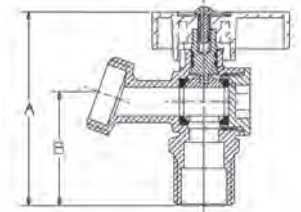
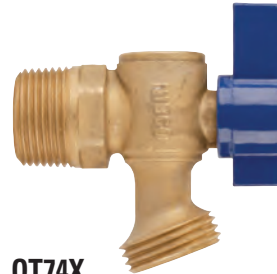
PART	SPECIFICATION
Screw	Steel
I.D. Tag	Aluminum
Handle	Zinc
Stem	Brass ASTM B 16 UNS C36000
O-Ring	Nitrile
Seat	PTFE
Ball	Brass ASTM B 16 UNS C36000
Adapter	Brass ASTM B 283 UNS C37700
Body	Brass ASTM B 283 UNS C37700



QT73X

DESCRIPTION	NOM. SIZE	DIMENSIONS		APPROX. NET WT.
		A	B	
BOILER DRAIN FIP to Hose	1/2	2.64"	1.57"	.42 lb
	3/4	2.72"	1.65"	.46 lb

IAPMO Listed to cUPC®



QT74X

DESCRIPTION	NOM. SIZE	DIMENSIONS		APPROX. NET WT.
		A	B	
BOILER DRAIN Cup or MIP Threads to Hose	1/2"	2.64"	1.57"	.40 lb
	3/4"*	2.72"	1.65"	.42 lb

IAPMO Listed to cUPC®

* 3/4" furnished in male threads only



WARNING: This product can expose you to chemicals including lead, which is known to the State of California to cause cancer and birth defects or other reproductive harm. For more information go to www.P65Warnings.ca.gov.

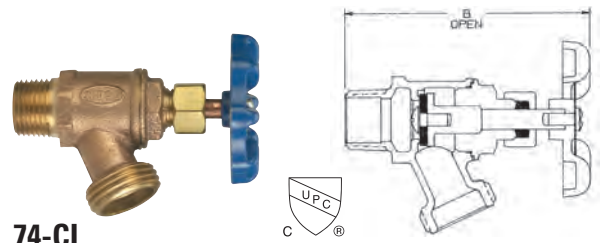
NOT FOR USE WITH POTABLE DRINKING WATER APPLICATIONS AFTER JANUARY 3, 2014.

Multi-Turn Boiler Drains

125 lb. CWP to 100°F
Maximum Temperature 180°F

MULTI-TURN MATERIALS LIST

PART	SPECIFICATION
Body	Cast Copper - Based Alloy C84400
Bonnet	Cast Copper - Based Alloy C84400
Stem	Cold-formed Copper Alloy
Seat Disc	Buna-N
Seat Disc Screw	Stainless Steel, Type 410
Packing Nut	Free Cutting Brass - ASTM B 16
Packing	Graphite Impregnated, Asbestos-Free
Handwheel	Epoxy Coated Zinc Alloy
Handwheel Screw	Carbon Steel - Clear Chromate Finish

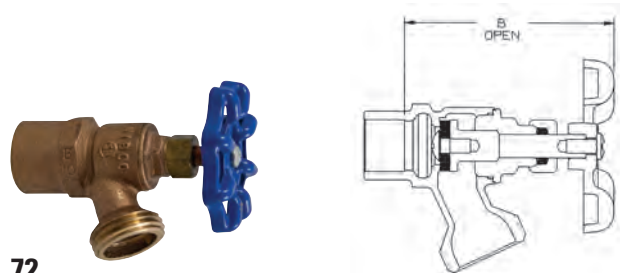


74-CL

DESCRIPTION	NOM. SIZE	DIMENSIONS	APPROX. NET WT.
		B	
Boiler Drain Copper or Male Threads to Hose	1/2"	3 11/16"	.4 lb
	3/4"*	3 3/4"	.45 lb

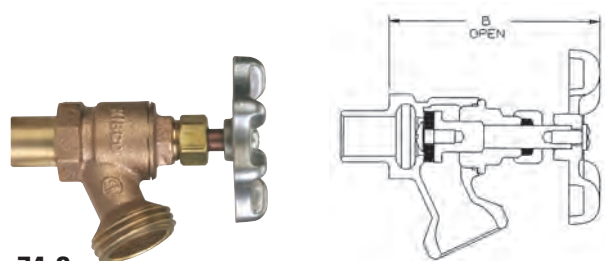
IAPMO Listed to cUPC®

* 3/4" furnished in male threads only



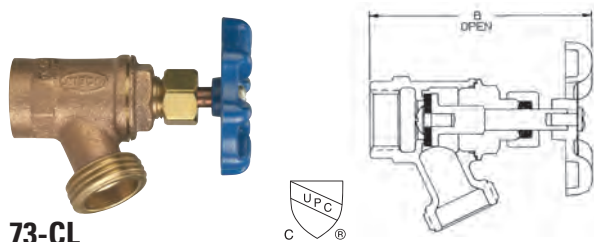
72

DESCRIPTION	NOM. SIZE	DIMENSIONS	APPROX. NET WT.
		B	
Boiler Drain Cup to Hose	1/2"	3 1/16"	.40 lb
	3/4"*	2 13/16"	.40 lb



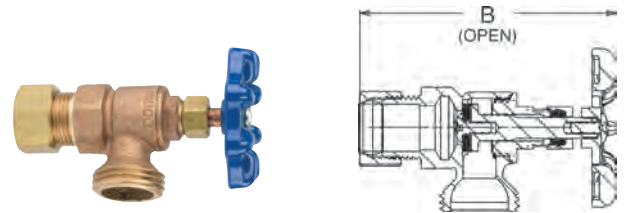
74-2

DESCRIPTION	NOM. SIZE	DIMENSIONS	APPROX. NET WT.
		B	
Boiler Drain Fit to Hose	1/2"	3 3/8"	.40 lb



73-CL

DESCRIPTION	NOM. SIZE	DIMENSIONS	APPROX. NET WT.
		B	
Boiler Drain Threaded to Hose	1/2"	3 1/4"	.50 lb
	3/4"	3 5/16"	.60 lb



4464

DESCRIPTION	NOM. SIZE	DIMENSIONS	APPROX. NET WT.
		B	
Boiler Drain Compression to Hose	1/2"	3 1/4"	.50 lb

WARNING: This product can expose you to chemicals including lead, which is known to the State of California to cause cancer and birth defects or other reproductive harm. For more information go to www.P65Warnings.ca.gov.

NOT FOR USE WITH POTABLE DRINKING WATER APPLICATIONS AFTER JANUARY 3, 2014.

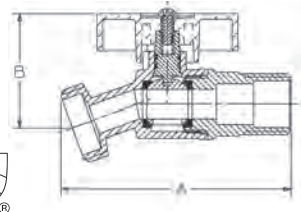
Hose Bibbs

125 lb. CWP to 100°F

Maximum Temperature 180°F

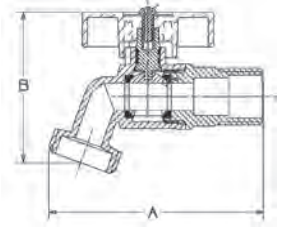
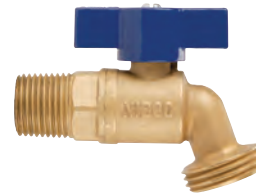
QUARTER TURN HOSE BIBBS MATERIALS LIST

PART	SPECIFICATION
Screw	Steel
I.D. Tag	Aluminum
Handle	Zinc
Stem	Brass ASTM B 16 UNS C36000
O-Ring	Nitrile
Seat	PTFE
Ball	Brass ASTM B 16 UNS C36000
Adapter	Brass ASTM B 283 UNS C37700
Body	Brass ASTM B 283 UNS C37700



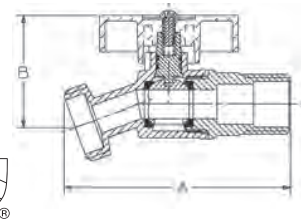
QT54X

DESCRIPTION	Nom. Size	DIMENSIONS		APPROX. NET WT.
		A	B	
NO-KINK HOSE BIBB Male or Cup to Hose	1/2	3.15"	1.54"	.40 lb
	3/4	3.15"	1.54"	.42 lb



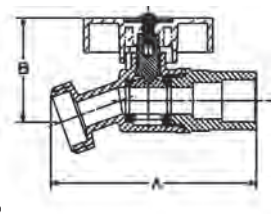
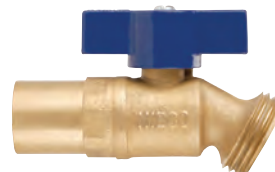
QT56X

DESCRIPTION	Nom. Size	DIMENSIONS		APPROX. NET WT.
		A	B	
HOSE BIBB Cup or Male to Hose Male Thread to Hose	1/2	3.15"	2.17"	.40 lb
	3/4	3.15"	2.14"	.42 lb



QT55X

DESCRIPTION	Nom. Size	DIMENSIONS		APPROX. NET WT.
		A	B	
NO-KINK HOSE BIBB FIP to Hose	1/2	2.87"	1.54"	.40 lb
	3/4	3.15"	1.54"	.45 lb



QT57X

DESCRIPTION	Nom. Size	DIMENSIONS		APPROX. NET WT.
		A	B	
NO-KINK HOSE BIBB 1/2 Cup or 3/4 Ftg. to Hose	1/2" or 3/4"	3.11"	1.54"	.42 lb

WARNING: This product can expose you to chemicals including lead, which is known to the State of California to cause cancer and birth defects or other reproductive harm. For more information go to www.P65Warnings.ca.gov.

NOT FOR USE WITH POTABLE DRINKING WATER APPLICATIONS AFTER JANUARY 3, 2014.

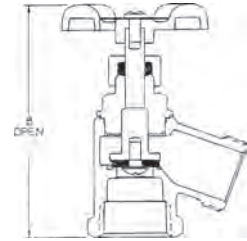
Garden Valves

125 lb. CWP to 100°F

Maximum Temperature 180°F

GARDEN VALVE MATERIALS LIST

PART	SPECIFICATION
Body	Cast Copper - Based Alloy C84400
Bonnet	Cast Copper - Based Alloy C84400
Stem	Cold-formed Copper Alloy
Seat Disc	Buna-N
Seat Disc Screw	Stainless Steel, Type 410
Packing Nut	Free Cutting Brass - ASTM B 16
Packing	Graphite Impregnated, Asbestos-Free
Handwheel	Epoxy Coated Zinc Alloy
Handwheel Screw	Carbon Steel - Clear Chromate Finish



61

DESCRIPTION	Nom. Size	DIMENSIONS	APPROX. NET WT.
		B	
Bent Nose Hose Bibb FIP to Hose	1/2"	3 5/8"	.60 lb
	3/4"	3 3/4"	.70 lb

WARNING: This product can expose you to chemicals including lead, which is known to the State of California to cause cancer and birth defects or other reproductive harm. For more information go to www.P65Warnings.ca.gov.

NOT FOR USE WITH POTABLE DRINKING WATER APPLICATIONS AFTER JANUARY 3, 2014.

Fig. 95C Frostproof Sillcock

Chrome Plated Brass Body • 180° Turn • Ceramic Seats • Built in Lockshield • Flow Indicator on Metal Handwheel

ASSE 1019-C

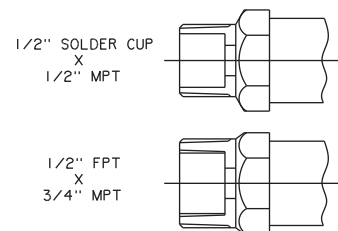
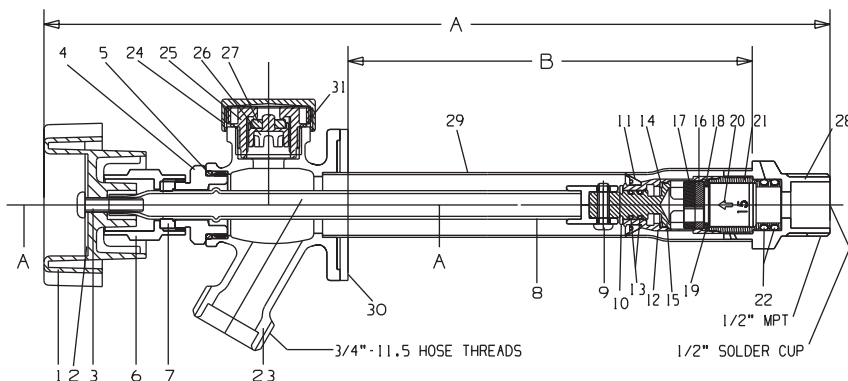
MATERIAL LIST

PART	SPECIFICATION
1. Handwheel	Aluminum B85 Epoxy Coated
2. ID Plate	Aluminum
3. Screw	Brass B16 C36000
4. Bonnet	Brass B16 C36000
5. O-Ring	NBR
6. Lockshield	Brass B16 C36000
7. Washer Seal	NBR
8. Stem	Brass B135 C33000
9. Screw	304 SS
10. V-Clip	304 SS
11. V-Cup Seal	NBR
12. Housing	Brass B16 C36000
13. O-Ring	NBR
14. Seal Washer	PTFE
15. Inner Stem	Brass B16 C36000
16. Seat 180°	Ceramic
17. Movement 180°	Ceramic
18. Washer	Silicon Rubber
19. Washer	Brass B16 C36000
20. Spring Check Valve	304 SS
21. Valve Base	Brass B16 C36000
22. O-Ring	FKM
23. Cast Body	Brass B584 C85700
24. Vent Cap	POM - Chrome Plated
25. Vent Body	POM
26. Poppet	POM
27. Vent Seat	NBR
28. Inlet End	Brass B16 C36000
29. Body Tube	Brass B135 C33000
30. Siding Plate	Plastic
31. O-Ring	NBR



DIMENSIONS — WEIGHTS

Size (In.)	A	B	Wt. Lbs.	Size (In.)	A	B	Wt. Lbs.
1/2 x 4	9 3/4	4	1.28	3/4 x 4	9 3/4	4	1.31
1/2 x 6	11 3/4	6	1.37	3/4 x 6	11 3/4	6	1.40
1/2 x 8	13 3/4	8	1.44	3/4 x 8	13 3/4	8	1.47
1/2 x 10	15 3/4	10	1.49	3/4 x 12	17 3/4	12	1.62
1/2 x 12	17 3/4	12	1.54				
1/2 x 14	19 3/4	14	1.60				



WARNING: This product can expose you to chemicals including lead, which is known to the State of California to cause cancer and birth defects or other reproductive harm. For more information go to www.P65Warnings.ca.gov.

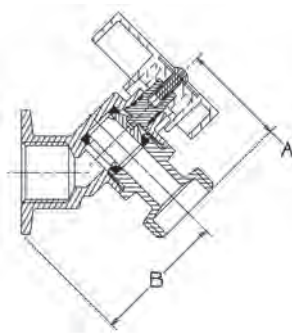
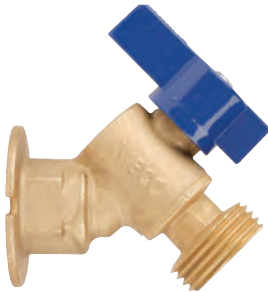
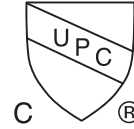
NOT FOR USE WITH POTABLE DRINKING WATER APPLICATIONS AFTER JANUARY 3, 2014.

QTX Series Quarter-Turn Low Pressure Sillcocks

- IAPMO Listed to cUPC®

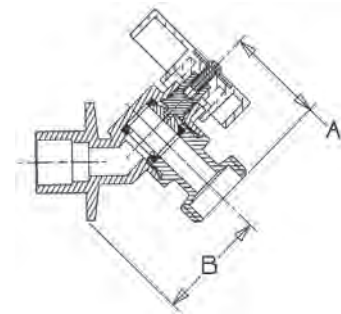
MATERIAL LIST

PART	SPECIFICATION
Screw	Steel
I.D. Tag	Aluminum
Handle	Zinc
Stem	Brass ASTM B 16 UNS C36000
O-Ring	Nitrile
Seat	PTFE
Ball	Brass ASTM B 16 UNS C36000
Adapter	Brass ASTM B 283 UNS C37700
Body	Brass ASTM B 283 UNS C37700



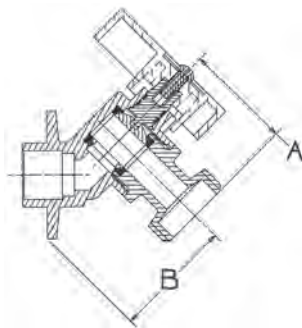
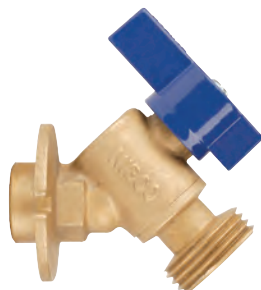
QT63X

DESCRIPTION	Nom. Size	DIMENSIONS		APPROX. NET WT.
		A	B	
ANGLE SILLCOCK Threaded to Hose	1/2	1.38"	1.77"	.44 lb
	3/4	1.38"	1.85"	.48 lb



QT763IX

DESCRIPTION	Nom. Size	DIMENSIONS		APPROX. NET WT.
		A	B	
ANGLE SILLCOCK 1/2 Cup or 3/4 Ftg. to Hose	1/2 or 3/4	1.38"	1.57"	.50 lb



QT763X

DESCRIPTION	Nom. Size	DIMENSIONS		APPROX. NET WT.
		A	B	
ANGLE SILLCOCK Solder to Hose	1/2	1.38"	1.54"	.43 lb
	3/4	1.38"	1.69"	.48 lb

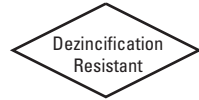
WARNING: This product can expose you to chemicals including lead, which is known to the State of California to cause cancer and birth defects or other reproductive harm. For more information go to www.P65Warnings.ca.gov.

NOT FOR USE WITH POTABLE DRINKING WATER APPLICATIONS AFTER JANUARY 3, 2014.

200 PSI CWP Bronze Gate Valves

Bronze Body • Screw-in Bonnet • Non-Rising Stem • Solid Wedge • Compact Design • Full Port

200 PSI/14 Bar Non-Shock Cold Working Pressure



MATERIAL LIST

PART	SPECIFICATION
1. Handwheel Screw	Stainless Steel, Type 430
2. Handwheel	Aluminum
3. Stem	Bronze ASTM B 99 Alloy C65100 H04
4. Stem O-Ring	EPDM
5. Bonnet	Cast Brass ASTM B 584 Alloy C84400
6. Wedge	Cast Brass ASTM B 584 Alloy C84400
7. Body	Cast Brass ASTM B 584 Alloy C84400



T-29

Threaded

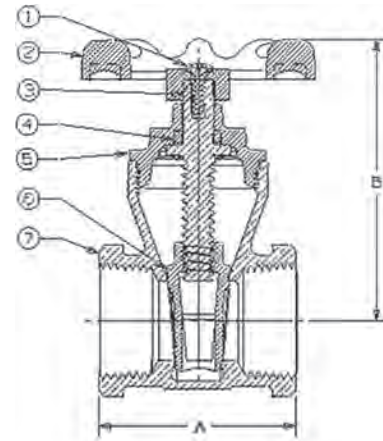


S-29

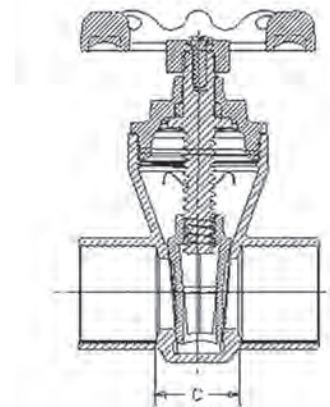
Solder

DIMENSIONS — WEIGHTS

Size		A		B		C		Wt. Lbs.	
In.	mm.	In.	mm.	In.	mm.	In.	mm.	T-29	S-29
1/2	15	1.89	48	2.28	58	0.85	22	0.48	0.42
3/4	20	2.04	52	2.75	70	0.88	22	0.75	0.65
1	25	2.31	59	3.23	82	0.97	25	1.22	1.11
1 1/4	32	2.62	67	3.61	92	1.06	27	1.62	1.38
1 1/2	40	2.81	71	4.14	105	1.20	30	2.12	1.98
2	50	2.86	73	4.97	126	1.32	34	3.29	3.23



T-29
NPT x NPT



S-29
Cup x Cup



WARNING: This product can expose you to chemicals including lead, which is known to the State of California to cause cancer and birth defects or other reproductive harm. For more information go to www.P65Warnings.ca.gov.

NOT FOR USE WITH POTABLE DRINKING WATER APPLICATIONS AFTER JANUARY 3, 2014.

Brass Gate Valve

Brass Body • Non-Rising Stem • Full Port

200 PSI/14 Bar Non-Shock Cold Working Pressure

MATERIAL LIST

PART	SPECIFICATION
1. Nut	Steel plated ASTM A 108 Alloy G10100
2. Name Plate	Aluminum ASTM B 209 Alloy 1100
3. Handwheel	Cast Iron ASTM A 48 Class No. 35
4. Stem	Brass ASTM B 16 Alloy C36000
5. Packing Nut	Brass ASTM B 16 Alloy C36000 or B 584 Alloy C85700
*6. Gland	Brass ASTM B 16 Alloy C36000
7. Packing	Graphite/Rubber Non-Asbestos
8. Bonnet	Brass ASTM B 584 Alloy C85700
9. Lock Nut	Brass ASTM B 16 Alloy C 36000
10. Wedge	Brass ASTM B 584 Alloy C85700
11. Body	Brass ASTM B 584 Alloy C85700

* Packing gland only for valves 1½" and larger.

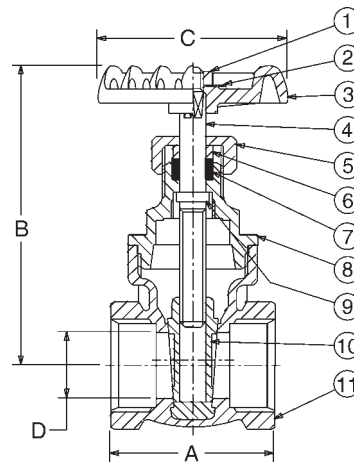
† Available with Drain in sizes ½" and ¾" for TI-8. Specify TI-8D on order.



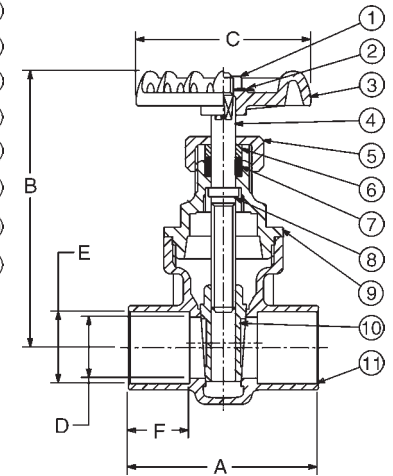
TI-8
Threaded



SI-8
Solder



TI-8
NPT x NPT



SI-8
Cup x Cup

DIMENSIONS—WEIGHTS

Size	Dimensions																		WEIGHT						
	TI-8		SI-8		TI-8		SI-8		TI-8		SI-8		TI-8		SI-8		SI-8		TI-8		SI-8				
	A	A	B	B	C	C	D	D	E	F															
In.	mm.	In.	mm.	In.	mm.	In.	mm.	In.	mm.	In.	mm.	In.	mm.	In.	mm.	In.	mm.	In.	mm.	Lbs.	Kg.	Lbs.	Kg.		
¼	8	1.61	41	—	—	2.76	70	—	—	2.13	54	—	—	0.39	10	—	—	—	—	—	—	0.55	0.25	—	—
⅜	10	1.61	41	—	—	2.76	70	—	—	2.13	54	—	—	0.39	10	—	—	—	—	—	—	0.55	0.25	—	—
½	15	1.69	43	1.77	45	2.83	72	2.83	72	2.13	54	2.13	54	0.50	12	0.50	13	.63	16	0.50	13	0.59	0.27	0.59	0.27
¾	20	1.85	47	2.32	59	3.31	84	3.31	84	2.13	54	2.13	54	0.75	19	0.75	19	.88	22	0.75	19	0.77	0.35	0.77	.035
1	25	2.13	54	2.76	70	3.86	98	3.86	98	2.40	61	2.40	61	0.94	24	0.94	24	1.13	29	0.91	23	1.06	0.48	1.06	0.48
1¼	32	2.40	61	2.87	73	4.57	116	4.57	116	3.03	77	3.03	77	1.25	32	1.25	32	1.38	35	0.97	25	1.54	0.70	1.54	0.70
1½	40	2.56	65	3.19	81	4.92	125	4.92	125	3.03	77	3.03	77	1.48	38	1.48	38	1.63	41	1.09	28	2.11	0.96	2.11	0.96
2	50	2.83	72	3.90	99	6.02	153	6.02	153	3.27	83	3.27	83	1.94	49	1.94	49	2.13	54	1.34	34	3.17	1.44	3.17	1.44
*2½	65	3.50	89	4.61	117	7.32	186	7.32	186	4.13	105	4.13	105	2.48	63	2.48	63	2.63	67	1.47	37	3.79	2.63	5.79	2.63
*3	80	3.98	101	5.20	132	8.70	221	8.70	221	4.41	112	4.41	112	2.95	75	2.95	75	3.13	80	1.66	42	8.10	3.68	8.10	3.68
*4	100	4.57	116	—	—	10.16	258	—	—	6.67	172	—	—	3.62	92	—	—	—	—	—	—	20.94	9.52	—	—

*Conventional Port only

WARNING: This product can expose you to chemicals including lead, which is known to the State of California to cause cancer and birth defects or other reproductive harm. For more information go to www.P65Warnings.ca.gov.

NOT FOR USE WITH POTABLE DRINKING WATER APPLICATIONS AFTER JANUARY 3, 2014.

Bronze Ring Check® Valve

Inline Lift Type • Resilient Discs • Spring Actuated



125 PSI/9 Bar Saturated Steam (PTFE Disc only)
200 PSI/14 Bar Non-Shock Cold Working Pressure

MATERIAL LIST

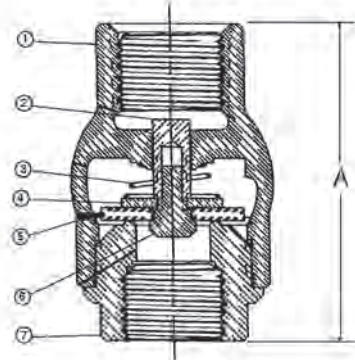
PART	SPECIFICATION
1. Body	Bronze ASTM B 584 Alloy C84400
2. Stem	Stainless Steel ASTM A 582 Alloy C30300
3. Spring	316 Stainless Steel
4. Disc Holder	Stainless Steel Type 301
5. Disc	Buna-N
6. Seat Screw	Stainless Steel ASTM A 276 Alloy S43000
7. Body End	Bronze ASTM B 584 Alloy C84400



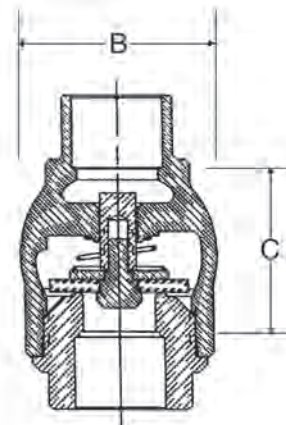
T-480
Threaded



S-480
Solder



T-480
NPT x NPT



S-480
Cup x Cup

DIMENSIONS—WEIGHTS

Size	Dimensions						T-480		S-480		
	In.	mm.	In.	mm.	In.	mm.	In.	mm.	Lbs.	Kg.	
3/8	10	2.00	51	1.38	35	1.44	37	0.41	10	0.44	0.20
1/2	15	2.06	52	1.38	35	1.19	30	0.36	9	0.40	0.18
3/4	20	2.25	57	1.63	41	1.31	33	0.48	12	0.52	0.24
1	25	2.63	67	2.00	51	1.50	38	0.77	29	0.85	0.39
1 1/4	32	2.94	75	2.38	60	1.69	43	1.14	25	1.28	0.58
1 1/2	40	3.31	84	2.75	70	2.00	51	1.63	41	1.75	0.79
2	50	3.69	94	3.38	86	2.31	59	2.27	58	2.70	1.23

Ordering: The T-480 and S-480 both have standard Buna-N Discs.
Also available with PTFE (Y) Discs; specify T-480-Y or S-480-Y.
Note: 3/8" thru 2" require 1/2 pound pressure to open.

WARNING: This product can expose you to chemicals including lead, which is known to the State of California to cause cancer and birth defects or other reproductive harm. For more information go to www.P65Warnings.ca.gov.

NOT FOR USE WITH POTABLE DRINKING WATER APPLICATIONS AFTER JANUARY 3, 2014.

Brass Check Valves

Brass Body • Swing Type Check

200 PSI/14 Bar Non-Shock Cold Working Pressure

MATERIAL LIST

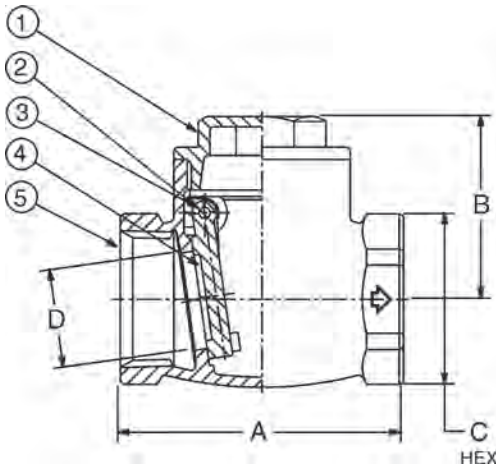
PART	SPECIFICATION
1. Bonnet	Bronze ASTM B 584 Alloy C85700
2. Plug	Bronze ASTM B 16 Alloy C36000
3. Pin	Brass ASTM B 16 Alloy C37700
4. Disc	Brass ASTM B 124 Alloy C37700
5. Body	Brass ASTM B 584 Alloy C85700 or Alloy C83600



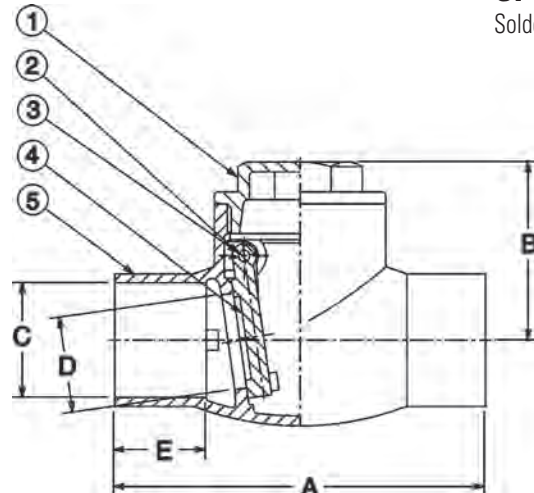
TI-3
Threaded



SI-3
Solder



TI-3
NPT to NPT



SI-3
Cup x Cup

DIMENSIONS—WEIGHTS

Size	Dimensions																		WEIGHT				
	TI-3		SI-3		TI-3		SI-3		TI-3		SI-3		TI-3		SI-3		SI-3		TI-3		SI-3		
	A	A	B	B	C	C	D	D	E	A	A	B	B	C	C	D	D	E	Lbs.	Kg.	Lbs.	Kg.	
1/2	15	2.05	52	2.13	54	1.50	38	1.50	38	1.00	25	0.63	16	0.52	13	0.52	13	0.50	13	0.46	0.21	0.46	0.21
3/4	20	2.32	59	2.99	76	1.57	40	1.57	40	1.22	31	0.88	22	0.70	18	0.70	18	0.75	19	0.66	0.30	0.66	0.30
1	25	2.72	69	3.66	93	1.77	45	1.77	45	1.50	38	1.13	29	0.94	24	0.94	24	0.91	23	0.92	0.42	0.92	0.42
1 1/4	32	3.11	79	4.09	104	2.01	51	2.01	51	1.85	47	1.38	35	1.24	32	1.24	32	0.97	25	1.60	0.73	1.60	0.73
1 1/2	40	3.50	89	4.57	116	2.17	55	2.17	55	2.11	54	1.63	41	1.42	36	1.42	36	1.09	28	1.79	0.81	1.79	0.81
2	50	4.29	109	5.51	140	2.64	67	2.64	67	2.60	66	2.13	54	1.81	46	1.81	46	1.34	34	2.87	1.30	2.87	1.30
2 1/2	65	5.31	135	—	—	3.31	84	—	—	3.23	82	—	—	2.26	57	—	—	—	—	5.29	2.40	—	—
3	80	6.30	160	—	—	3.78	96	—	—	3.78	96	—	—	2.70	69	—	—	—	—	8.82	4.01	—	—
4	100	7.38	190	—	—	4.45	113	—	—	4.80	122	—	—	3.78	96	—	—	—	—	13.23	6.01	—	—

WARNING: This product can expose you to chemicals including lead, which is known to the State of California to cause cancer and birth defects or other reproductive harm. For more information go to www.P65Warnings.ca.gov.

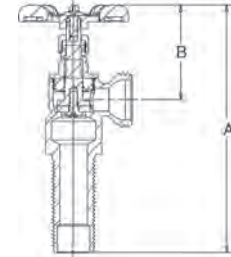
NOT FOR USE WITH POTABLE DRINKING WATER APPLICATIONS AFTER JANUARY 3, 2014.

Washer Box Valves

125 lb. CWP to 100°F • Maximum Temperature 180°F

MATERIAL LIST

PART	SPECIFICATION
1. Handle Screw	Carbon Steel
2. Handle	Aluminum
3. Packing Nut	Brass ASTM B 16
4. Packing	Graphite Impregnated Fibers
5. Bonnet	Brass ASTM B 584 Alloy C84400
6. Body	Brass ASTM B 584 Alloy C84400
7. Stem	Copper Alloy C10200
8. Seat	Buna-N
9. Seat Screw	Stainless Steel, Type 430
10. Wing Nut	Polypropylene



64L 1-pc Bronze Long Shank Washer Box Valve

DESCRIPTION	Size	DIMENSIONS		APPROX. NET WT.
		A	B	
Cup or NPSL/NPT to Hose	1/2	5.0"	1.82"	.54 lb

WARNING: This product can expose you to chemicals including lead, which is known to the State of California to cause cancer and birth defects or other reproductive harm. For more information go to www.P65Warnings.ca.gov.

NOT FOR USE WITH POTABLE DRINKING WATER APPLICATIONS AFTER JANUARY 3, 2014.

PVC Ball Valves

One-Piece Molded PVC Body • Threaded or Socket Ends
Schedule 80

150 PSI/10.3 Bar Non-Shock Cold Working Pressure to 73° F/23° C

NSF Listed to NSF/ANSI 14 ½"- 2" Sizes

NSF/ANSI/CAN 61 All Sizes

NSF/ANSI/CAN 372 All Sizes

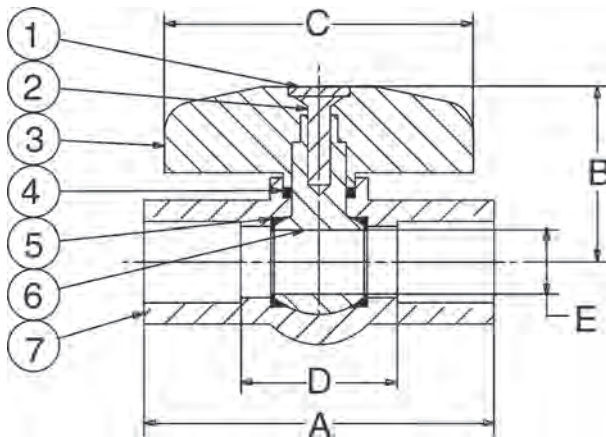


4660-S
Socket Weld

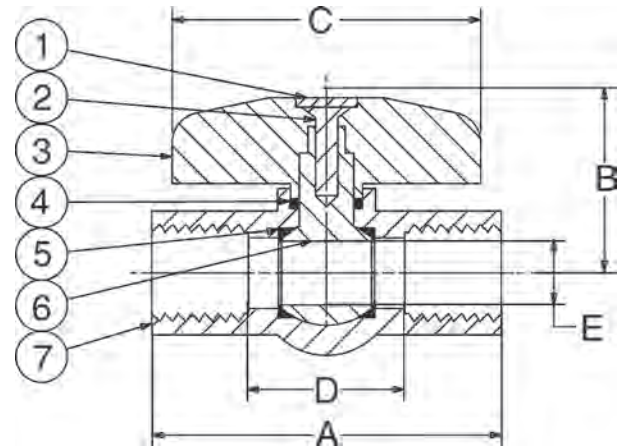
4660-T
Threaded
(not shown)

MATERIAL LIST

PART	SPECIFICATION
1. Handle Cap	ABS
2. Screw	Zinc Plated Steel
3. Handle	ABS
4. O-Ring	EPDM
5. Seat Seal (2)	EPDM
6. Ball	PVC ½"- 2" Sizes PP 2 ½"- 4" Sizes
7. Body	PVC



4660-S
Socket x Socket



4660-T
Threaded x Threaded

DIMENSIONS—WEIGHTS

Size	Dimensions										Weight		Master Ctn. Qty	
	A		B		C		D		E		Lbs.	Kg.		
In.	mm.	In.	mm.	In.	mm.	In.	mm.	In.	mm.	In.	mm.			
½	15	3.27	83	1.77	45	2.76	70	1.52	39	0.55	14	0.18	0.08	100
¾	20	3.74	95	2.13	54	3.46	88	1.74	44	0.79	20	0.31	0.14	100
1	25	4.17	106	2.56	65	3.94	100	1.92	49	0.98	25	0.49	0.22	100
1¼	32	4.49	114	2.64	67	3.94	100	1.99	51	1.18	30	0.57	0.26	100
1½	40	5.12	130	2.99	76	4.29	109	2.37	60	1.42	36	0.88	0.40	48
2	50	5.79	147	3.50	89	5.28	134	2.79	71	1.83	46.5	1.50	0.68	48
2½	65	8.03	204	4.13	105	7.01	178	4.53	115	2.28	58	2.73	1.24	12
3	80	9.02	229	4.88	124	8.82	224	5.27	134	3.03	77	4.01	1.82	12
4	100	11.81	300	5.83	148	10.87	276	7.31	186	3.86	98	8.29	3.77	6

Note: Socket ends per ASTM D 2467
Thread ends per ASME B1.20.1

WARNING: This product can expose you to chemicals including styrene, which is known to the State of California to cause cancer. For more information go to www.P65Warnings.ca.gov.

*** DO NOT USE OR TEST THE PLASTIC VALVES LISTED IN THIS CATALOG WITH COMPRESSED AIR OR OTHER GASSES.**

CPVC-CTS Ball Valve

One-Piece Molded CPVC Body • Socket Ends

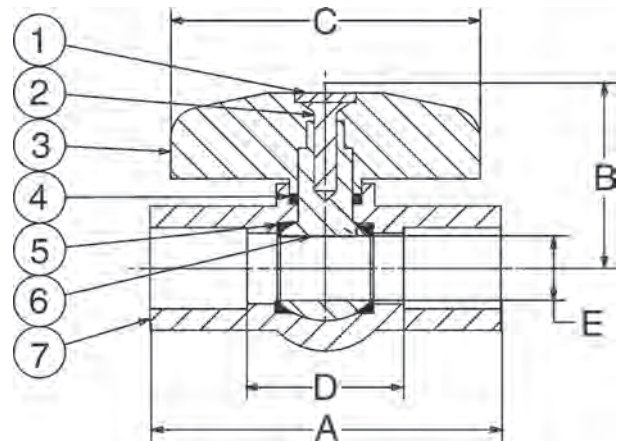
150 PSI/10.3 Bar Non-Shock Cold Working Pressure to 73° F/23° C
NSF Listed to NSF/ANSI/CAN 61
NSF/ANSI/CAN 372



4770
Socket Weld

MATERIAL LIST

PART	SPECIFICATION
1. Handle Cap	ABS
2. Screw	Zinc Plated Steel
3. Handle	ABS
4. O-Ring	EPDM
5. Seat (2)	PTFE
6. Ball	CPVC
7. Body	CPVC



4770
Socket x Socket

DIMENSIONS—WEIGHTS

Size	Dimensions										Weight		Master Ctn. Qty	
	A		B		C		D		E		Lbs.	Kg.		
In.	mm.	In.	mm.	In.	mm.	In.	mm.	In.	mm.	In.	mm.			
½	15	2.68	68	1.42	36	2.36	60	1.68	43	0.47	12	0.19	0.09	100
¾	20	3.27	83	1.77	45	2.76	70	1.87	47	0.71	18	0.35	0.16	100
1	25	3.74	95	2.13	54	3.46	88	1.94	49	0.94	24	0.54	0.25	100
1¼	32	4.17	106	2.56	65	3.94	100	1.97	50	0.98	25	0.70	0.32	100
1½	40	4.49	114	2.64	67	3.94	100	1.89	48	1.18	30	1.06	0.48	48
2	50	5.71	145	2.99	76	4.29	109	2.29	58	1.42	36	1.73	0.79	48

Note: Socket ends per ASTM D 2846.

WARNING: This product can expose you to chemicals including styrene, which is known to the State of California to cause cancer. For more information go to www.P65Warnings.ca.gov.

*** DO NOT USE OR TEST THE PLASTIC VALVES LISTED IN THIS CATALOG WITH COMPRESSED AIR OR OTHER GASSES.**

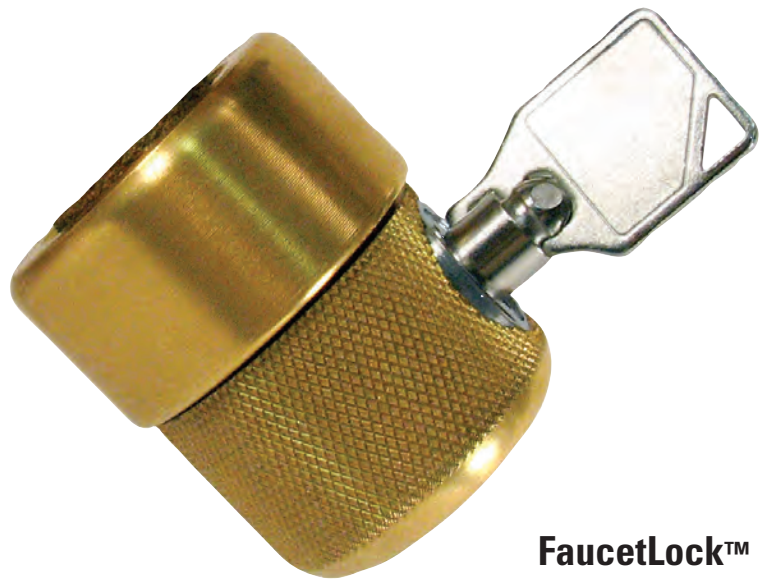
FAUCETLOCK™

Protect Your Water Supply

Perfect for use in your:

- Front & Backyard,
- Vacation Home, Condo,
- Apartment House,
- Dock, Campsite,
- Storefront, School,
- Trailer Park,
- Parking Lot,
- Gas Station...

Save Water ... Save Money



FaucetLock™

Fits standard 3/4" hose thread

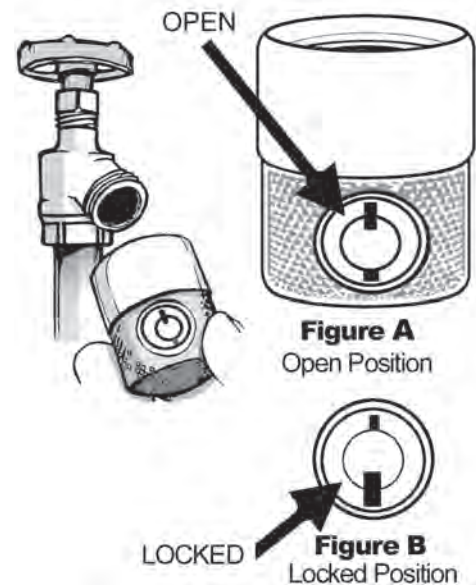


Extra Key Included
No Tools Required
Twist On & Lock
PATENT PENDING











Installation Instructions

1. Inspect FaucetLock's threads for dirt and debris, and clean if necessary.
2. View lock, make sure key notches are in aligned (OPEN) position. (See Figure A)
3. Hold lock by its textured ring and screw onto hose bibb in a clockwise direction until tight.
4. Insert key and turn clockwise half a turn then remove key. FaucetLock is now in its secured and locked position. (See Figure B) (FaucetLock is secured on hose bibb if the textured ring spins freely)
5. To remove FaucetLock, insert key and rotate half a turn counterclockwise. Remove key. Hold textured ring and turn counterclockwise until FaucetLock screws off the hose bibb.
6. While FaucetLock is detached from hose bibb, be careful not to allow dirt or debris to get into lock or threads.

Freezing weather precaution: If installed on a frostproof sillcock, make sure valve has had time to drain after closing and before installation of FaucetLock™.



Low Pressure Valve Handwheel Options & Accessories

<p>Standard No Kink and Hose Bibbs Tee Handle</p> <p>Sizes 1/2" - 3/4". Available as standard for all NIBCO valves with spline drive. Blue or silver color</p>	
<p>Cross Handles for the Classic Pro and T or S29 Valves</p> <p>Available for Classic Pro or T/S 29 Valves 1/2" thru 2". Used where standard handwheel would be out of reach or hand space is restricted. For field replacement, specify valve type and size. Spline drive only.</p>	
<p>Iron Handwheel for Brass Gate Valves</p> <p>Available for NIBCO 1/4" thru 4". For field replacement, specify valve type and size. Square Stem Only.</p>	
<p>Lock Shield Bonnet Assembly Lockshield</p> <p>Available for NIBCO Classic Pro and Husky Valves 1/2"-3/4", except straight hose bibbs. Use where valve might be subject to unauthorized use or tampering.</p>	
<p>Lockshield Handwheel</p> <p>Available for NIBCO Classic Pro and Husky Valves, except straight bibbs. Used as handle for lockshields. Specify – "Lockshield Handle." For field replacement, specify valve type and size. Spline drive only.</p>	
<p>Classic Pro Handwheel (2 1/8" Round)</p> <p>Available for NIBCO Classic Pro valves 1/2"-3/4". Fits spline stem only. Available in blue or red.</p>	
<p>29 Replacement Handwheel</p> <p>Available for NIBCO S or T 29 Bronze Gate Valve sizes 1/2"-2". For field replacement only.</p>	
<p>Stem Extension</p> <p>Available for any 1/2" - 2" 580-A Series and 1/4" - 4" FP-600-A Series brass ball valves. Allows for 2" of insulation.</p>	
<p>Waste Cap with Rubber Gasket</p> <p>A fast and convenient means for draining sections of line between valves. Fits NIBCO Low Pressure Valves sizes 1/4" - 3/4".</p>	
<p>C750 Vacuum Breaker</p> <p>Fits 3/4" hose thread ends — hose bibbs, sillcocks, boiler drains. Break off screw for permanent installation.</p>	

NIBCO INC. reserves the right to change materials, options and accessories without notice.

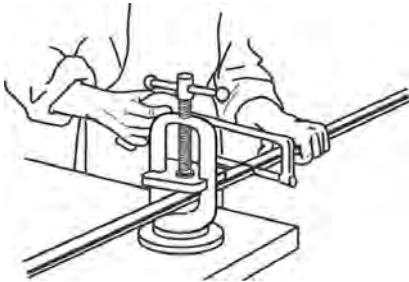
Installation Instructions for Metal Connections

Analyze the application to determine which valve is best suited for installation, keeping in mind the service for which the valve is recommended. Before installing the correct valve, review the following installation instructions to prevent damage to the valve and assure its maximum efficiency.

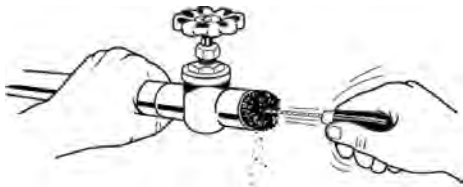
For Plastic Installation Instructions, contact Technical Services at 1.888.446.4226.

SOLDERING

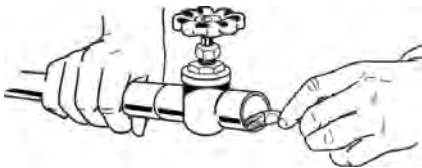
1. Cut tube end square. Ream, burr and size.



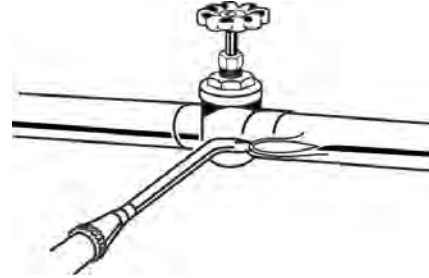
2. Use sand cloth or steel wire brush to clean both tube and cup to a bright metal. Steel wool is **not** recommended.



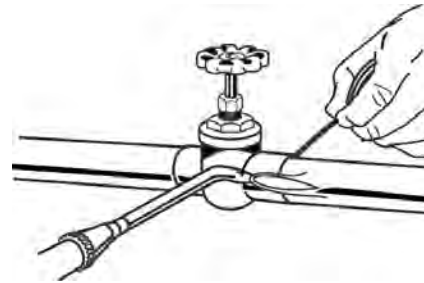
3. Apply flux to outside of tube and inside of solder cup. Surfaces to be joined must be completely covered. Use flux sparingly.



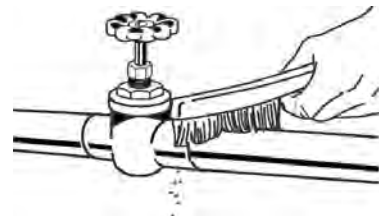
4. **Be sure that valve is fully open.** This applies only to globe and gate valves. Apply heat to tube first. Transfer as much heat as possible through the tube into the valve. Avoid prolonged heating of the valve itself. **For ball valves,** consult the installation instruction sheet or contact NIBCO Technical Services for assistance.



5. Use just enough solder: with wire solder, use 1" for 3/4" valve, etc. If too much solder is use, it may flow past tube and clog seating area. **The correct amount of solder is 1 1/2 times the diameter of the fitting or valve.**



6. Remove excess solder with small brush while plastic (soft), leaving a fillet around end of valve as it cools.



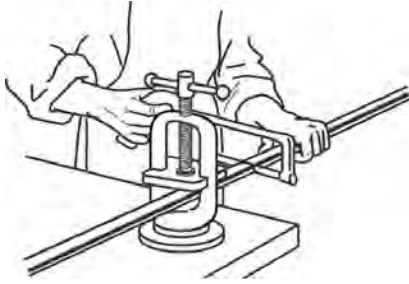
BRAZING

The strength of a brazed joint does not vary appreciably with the different brazing materials, but depends to a large extent upon the maintenance of proper clearance between the outside of the tube and the valve socket. The interior dimensions of brazing valve sockets are machined to the closest tolerances and finished smooth to promote full capillary attraction.

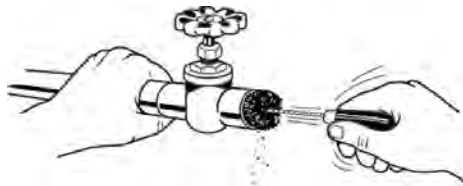
NOTE: Care should be observed in cleaning and in removing residues of the cleaning medium. Attempting to braze a contaminated or improperly cleaned surface will result in an unsatisfactory joint. Brazing alloys will not flow over or bond to oxides. Oily or greasy surfaces repel fluxes, leaving bare spots that oxidize and result in voids and inclusions.

Installation Instructions for Metal Connections (cont.)

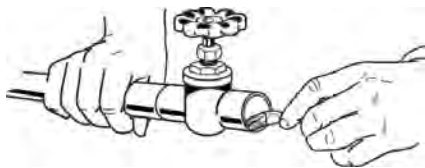
1. Cut tube end square to exact length needed, so that tube will enter valve socket all the way to the shoulder. Ream, burr and file.



2. Clean tube to a distance slightly more than what will fit into the socket, and clean valve socket. Wire brushes may be used, but avoid removing an excessive amount of metal. Fine sand cloth or emery cloth may be used with the same precautions. Steel wool is **not** recommended.



3. Apply flux to tube and socket sparingly and with a fairly thin consistency. Avoid flux on areas not cleaned, particularly inside of tube.

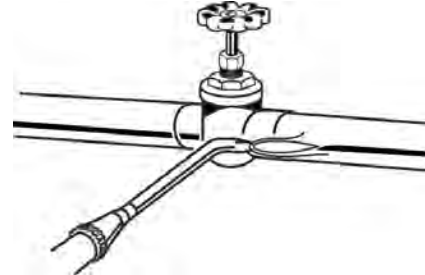


4. Assemble parts to be brazed. If fluxed parts are allowed to stand, the water in the flux will evaporate. Dried flux is liable to flake off, exposing metal surfaces to oxidation. Assemble joint by inserting tube into socket hard against the stop. The assembly should be firmly supported so that it will remain in alignment during the brazing operation. **Removal of bonnet is recommended when installing globe valves with soft seats.**

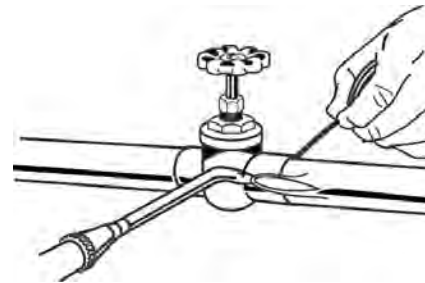
5. Apply heat to parts to be joined. The preferred method is by oxy-acetylene flame. Heat tube first, beginning one inch from edge of valve. Sweep flame around tube in short strokes up and down at right angles to run of tube. To avoid burning through tube, the flame should be in continuous motion and not allowed to remain on any one point.

Apply flame to valve at base of socket. Heat uniformly, sweeping flame from fitting to tube until flux on fitting becomes quite. Avoid excessive heating of valve.

When flux appears liquid and transparent on both tube and valve, start sweeping flame back and forth along axis of joint to maintain heat on parts to be joined, especially toward the base of the valve socket.



6. Apply brazing wire or rod at point where tube enters valve socket. Keep flame away from rod or wire as it is fed into the joint. Move flame back and forth as alloy is drawn into joint. When the proper temperature is reached, alloy will flow readily into space between tube outer wall and valve socket. When joint is filled, a continuous rim of brazing alloy will be visible.



THREADING

Grit, dirt or any foreign matter accumulated in the pipe can hinder efficient valve operation and seriously damage vital valve parts. Thoroughly clean pipe internally with air or steam.

When threading pipe, gauge pipe threads for size and length to avoid jamming pipe against seat and disc. Thoroughly clean threaded end to remove any harmful steel or iron deposits. Apply pipe dope sparingly on pipe threads, never on valve threads. Do not allow any pipe dope into valve body in order to avoid damage to disc and seat.

Before installation, check line of flow through valve so that valve will function properly. Close valve completely before installation. Apply wrench to hex next to pipe and guard against possible distortion. After installation of valve, support the pipe line; a sagging pipe line can distort the valve and cause failure.

COMPRESSION

For compression end connection, first slide compression nut onto copper tube, then slide on ferrule. Install the valve onto the copper tube and gently slide compression nut and ferrule up to the valve to engage. Do not use pipe dope. Tighten nut until resistance is felt. Tighten additional 1/2 turn. **DO NOT OVER TIGHTEN!**

Installation Instructions for Frostproof Sillcock

HOW THE FIGURE 95C WORKS

As shown on the schematic drawing on the right, the closing member (stem and disc assembly) of the Figure 95C Frostproof Sillcock operates by turning the handle in a clockwise manner to close and counter-clockwise to open.

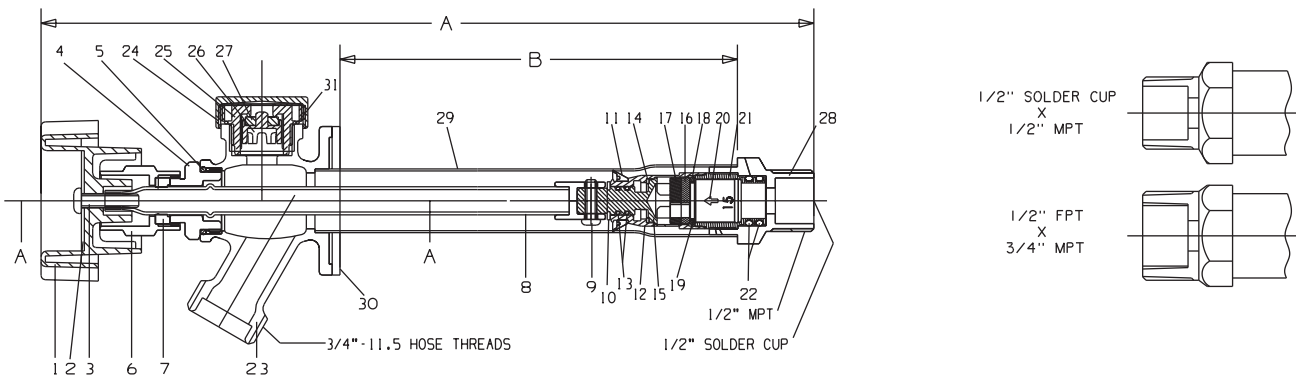
The valve's seat is at the opposite end from the handle. The valve is designed so that the seat area is situated safely behind the insulation of the home's exterior wall. This is to prevent the seat area from being exposed to freezing temperatures. Depending on the region of installation, the stem length is available in varying dimensions to accommodate the various insulation thicknesses behind the wall. The valve's "rough-in" dimension (see "A" dimension) pertains to the thickness of insulation and is measured from the frostproof sillcock's flange to the valve seat and is available in lengths 4", 6", 8", 10", 12" and 14".

The Figure 95C is designed to employ an integral back-flow prevention device to prevent potential back-siphonage. This back-siphonage, if unchecked, could compromise the safe potable water supply to the home, resulting in sickness or death.

The independent testing bodies, American Society of Sanitary Engineering and Canadian Standards Association, have validated the valve's primary and preventative functions.

TIPS FOR LONG LIFE

1. The hose should be carefully moved about, so as not to cause abnormal tension via pulling and/or jerking.
2. If the hose is left on the Figure 95C in freezing weather, the valve's self-draining feature will protect the sillcock from freeze damage if: 1) the nozzle is not left affixed to the hose; and 2) the entire hose length is on a plane lower than the fixed position of the frostproof sillcock.
3. The key to the Figure 95C being able to withstand and operate in freezing weather is that the closing member (seat disc) is inside the heated building. If the heat is temporarily shut down for a length of time that would allow freezing to take place, all water lines should be drained.
4. The figure 95C closes at the inlet of the sillcock. You will notice that it will drip for a few seconds after being closed. Wait at least 10 seconds.



INSTALLATION INSTRUCTIONS

1. Bore a 1 1/4" dia. hole through the wall in the desired position. A slight upward slope when drilling hole will aid sillcock in draining.
2. Insert the sillcock through the hole and position spout downward. To help position the sillcock from inside the building, "TOP" is marked on the inlet end.
3. Connect water supply line to sillcock inlet using appropriate style connection.
4. Secure sillcock flange to wall using suitable screws. For installation on lapped siding, a plastic siding plate is supplied to give a finished look.

* **Warning: Avoid overheating when soldering — it could cause internal damage to seat area.**

Figure Number Comparison Brass Ball Valves

For use as a guide only — some differences in design and materials are possible

NIBCO	AY McDonald	B&K	Hammond	Jomar	Legend	Matco-Norca	Red & White	Watts
S-580A	2030S		8211		S-800	752CN		WBVS-3
T-580A	2030T		8201		T-800	752TN		WBV-3
SFP-600A	2032S	107-500	8911	T100C-E	T-2000	757C	5044F	FBVS3C
TFP-600A	2032T	107-700	8901	S100C-E	S-2000	757T	5049F	FBV3C
SFP-600-AD	2033S	107-550	8711		S-1100	754D	5063	

Figure Number Comparison Gas Valves and Log Lighters

For use as a guide only — some differences in design and materials are possible

NIBCO	AY McDonald	B&K	Hammond	Jomar	Legend	Red & White	Watts
GB1A	10709/10710	110-120	875	T-204/T-205	T3005	RW5200L	GBV
GB2A	10711				T-3001	RW5200S	
GBV38M/GBV12M	10716	116-510			T-300FLxMIP		
GBVA	10712	114-000	879	T-204	T-300FLxFIP		GBV-FL
GCH		117-592		T-204			

Figure Number Comparison Frostproof Sillcock

For use as a guide only — some differences in design and materials are possible

NIBCO	Arrowhead	AY McDonald	B&K	Hammond	Legend	Mansfield	Matco-Norca	Red & White	Woodford
95C	426BFP/486BFP	2011HT	104-500HC			478/479	212		17

Figure Number Comparison Plastic Ball Valves

For use as a guide only — some differences in design and materials are possible

NIBCO	AY McDonald	B&K	KBI	Legend	Matco-Norca	Red & White	Southern Valve
4660S	2060S	107-630	EBV-S	S-600	770S	1384	400
4660T	2060T	107-130	3BV-T	T-600	770T	1380	401
4770	2062	107-120	CBV-S	T-605			

Figure Number Comparison

Low Pressure Plumbing Valves

For use as a guide only — some differences in design and materials are possible

NIBCO	Arrowhead	AY McDonald‡	B&K‡	Hammond‡	Legend‡	Mansfield	Matco-Norca‡	Red & White‡	Watts‡
QT56X	301/302					44.42		RW303	
61	900/925	2003	108-000	1035	T-543				
QT63X	255/355	2015	108-100	1032	T-541	34.40	206H	RW252	SC4
QT763X	255SW	2014	108-500	1034	S-541		206C	RW272	SC3
72			102-094		S-521				BD1C
74-2					S-524				
73CL	222/220	2004	102-100	712	T-522	526.40	204F	RW503	BD3F
74CL	221/223	2003	102-000	710	T-521	526.42	204M	RW502	BD1

‡ Indicates Valve Line is Import ONLY.

Figure Number Comparison

Low Pressure Plumbing Valves

For use as a guide only — some differences in design and materials are possible

NIBCO	Arrowhead	AY McDonald‡	B&K‡	Hammond‡	Legend‡	Mansfield	Matco-Norca‡	Red & White‡	Watts‡
64									WAS
64L									
64LA									
64ADP									
64FC									
SI3		2050S	101-500	968	S-451		521C	247	WCVS
TI3		2050T	101-000	967	T-451		521T	246	WCVS
S480				947	S-455				
T480				943	T-455				
SI8		2035T	100-500	668	S-401		514C	268	WGVS
TI8		2035S	100-000	667	T-401		514T	267	WGV
S29									
T29									

‡ Indicates Valve Line is Import ONLY.

Notes

NIBCO® Specialty Valve Products Warranty

NIBCO INC. LIMITED WARRANTY

Applicable to NIBCO INC. Specialty Valve Products Only

NIBCO INC. warrants each NIBCO® specialty valve products to be free from defects in materials and workmanship under normal use and service for a period of two (2) years from date of purchase.

In the event any defect occurs which the owner believes is covered by this warranty, the owner should immediately contact NIBCO Technical Services, either in writing or by telephone at 1.888.446.4226 or 1.574.295.3000. The owner will be instructed to return said valve, at the owner's expense, to NIBCO INC., or an authorized representative for inspection. In the event said inspection discloses to the satisfaction of NIBCO INC. that said valve is defective, a replacement shall be mailed free of charge to the owner, and NIBCO INC. shall further pay the installing contractor the sum of fifty (\$50.00) dollars to be applied toward the cost of installation of the replacement valve.

TO THE EXTENT PERMITTED BY LAW, THIS WARRANTY SPECIFICALLY EXCLUDES INCIDENTAL AND CONSEQUENTIAL DAMAGES OF EVERY TYPE AND DESCRIPTION RESULTING FROM ANY CLAIMED DEFECT IN MATERIAL OR WORKMANSHIP, INCLUDING BUT NOT LIMITED TO, PERSONAL INJURIES AND PROPERTY DAMAGES.

Some states or countries do not allow the exclusion or limitation of incidental or consequential damages so these limitations may not apply to you.

TO THE EXTENT PERMITTED BY LAW, IMPLIED WARRANTIES OF MERCHANTABILITY AND FITNESS FOR A PARTICULAR PURPOSE ARE LIMITED IN DURATION.

This warranty gives you specific legal rights, and you may also have other rights which vary from state to state and country to country.

How to Order

State quantity, figure number and size for each valve or fitting you wish to order. See individual catalog pages for specific or special product designations.

HOW MANY TO ORDER

NIBCO valves and fittings are decimal packed for your convenience in handling, shipping and stock-keeping. Number in master carton varies with item.

POLICY ON RETURNS TO FACTORY

No NIBCO valves and fittings are to be returned without prior written agreement. Transportation must be prepaid. A 20% charge will be made to cover cost of rehandling and reinspection.

TECHNICAL ASSISTANCE

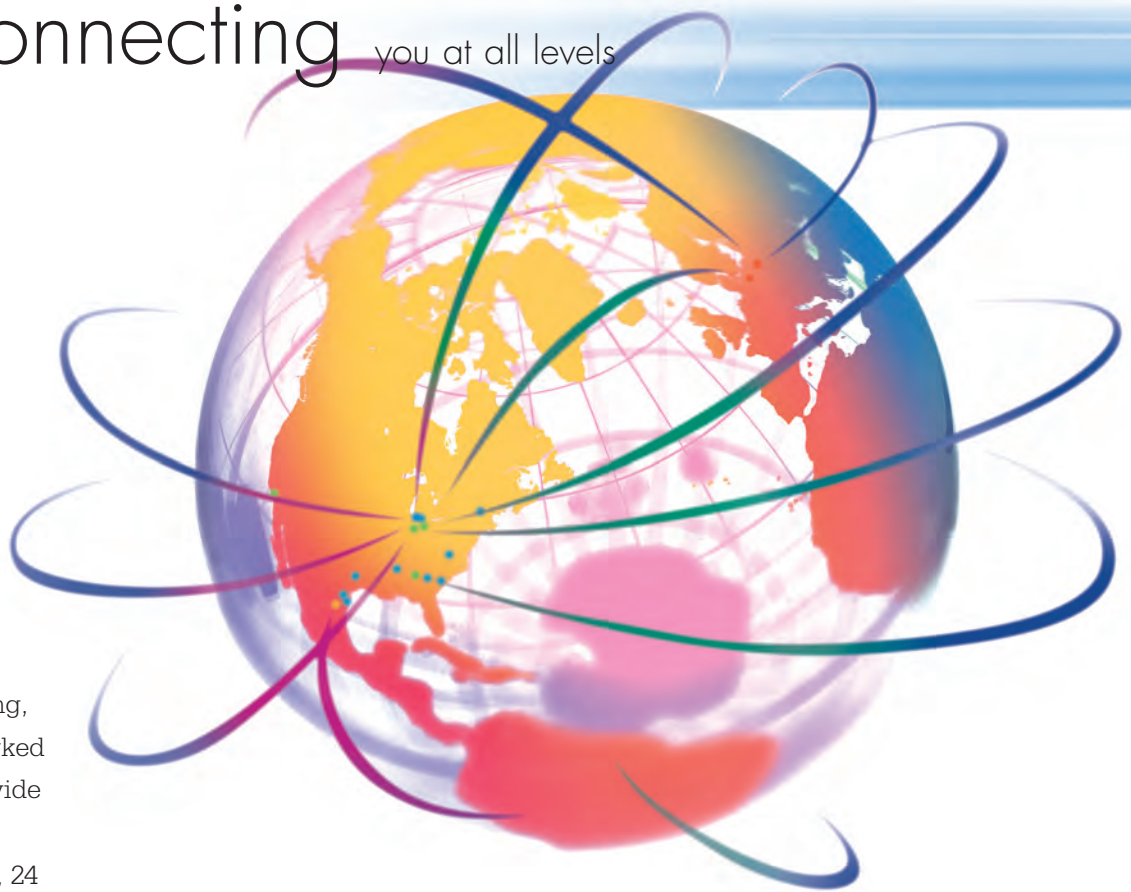
Engineers, contractors, wholesalers or manufacturers may obtain special or technical assistance from any factory representative of NIBCO. Write, fax or phone.

NIBCO INC.
World Headquarters
1516 Middlebury Street
Elkhart, IN 46516-4740
USA

PH: 1.574.295.3000 or 1.888.446.4226
FAX: 1.574.295.3307 or 1.888.336.4226

To the best of our knowledge, the information contained in this publication is accurate. However, NIBCO does not assume any liability whatsoever for the accuracy or completeness of such information. Final determinations of the suitability of any information or product for the use to be contemplated is the sole responsibility of the user. The manner of that use, and whether there is any infringement of patents, is also the sole responsibility of the user.

globally connecting you at all levels



It's a new age of business, and a new way at NIBCO. From Elkhart, Indiana to Lodz, Poland, and points beyond, our company has integrated manufacturing, distribution, and networked communications to provide a seamless source of information and service, 24 hours a day, 7 days a week. But this integration hasn't happened overnight. It's been part of a long-term strategic process that has pushed us to reconsider every aspect of our business. The result? We're a vertically integrated manufacturer with the products and systems in place to deliver low cost and high quality. NIBCO products are manufactured under a Quality Management System conforming to the current revision of ISO-9001 International Standards. We know the flow control industry is only going to get more demanding, and we are more than ready. We will continue to lead. That's what NIBCO is all about.



VALVES



Pressure-rated bronze, iron and alloy-iron gate, globe and check valves • Pressure-rated bronze ball valves • Boiler specialty valves • Commercial and industrial butterfly valves • Lined butterfly valves • Circuit balancing valves • Carbon and stainless steel ball valves • ANSI flanged steel ball valves • Lined ball valves • Pneumatic and electric actuators and controls • Grooved ball and butterfly valves • High performance butterfly valves • UL/FM fire protection valves • MSS specification valves • Bronze specialty valves • Low pressure gate, globe, check and ball valves • Frostproof sillcocks • Quarter-turn supply stops • Quarter-turn low pressure valves • PVC and CPVC plumbing and industrial ball valves • Bronze & Iron Y-strainers • Sample valves • Sanitary valves • Lead-Free* valves • Coil-Connect® Kits

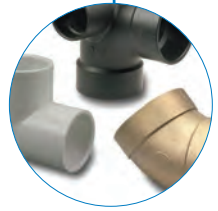
*Weighted average lead content ≤0.25%

FITTINGS

Wrot and cast copper pressure and drainage fittings • Cast copper alloy flanges • Wrot and cast press fittings • ABS and PVC DWV fittings • Schedule 40 PVC pressure fittings • CPVC CTS fittings • CPVC CTS-to-metal transition fittings • Schedule 80 PVC and CPVC systems • CPVC BlazeMaster® fire protection fittings • Lead-Free* fittings

BlazeMaster® is a registered trademark of The Lubrizol Corporation.

*Weighted average lead content ≤0.25%



FLEXIBLE PIPING SYSTEMS



PE-RT and PEX tubing for potable and radiant applications • Insulated tubing • Risers • Ice maker tubing • Silicon Performance Bronze® fittings • Poly alloy fittings • Home Run Manifold® • Radiant heat manifolds • Ball valves and supply stops • Connections, tools and accessories • Radiant heat controls and panels

INDUSTRIAL PLASTICS

Thermoplastic pipe, valves, and fittings in PVC, Corzan® CPVC, polypropylene and PVDF Kynar® • Pneumatic and electric actuation systems • BlazeMaster® CPVC fire protection fittings

BlazeMaster® and Corzan® CPVC are a registered trademark of Lubrizol Advanced Materials. Kynar® is a registered trademark of Arkema Inc.



eNIBCO

EDI—Electronic Data Interchange • VMI—Vendor Managed Inventory • NIBCO.com • NIBCOpartner.com



NIBCO®
AHEAD OF THE FLOW®

NIBCO INC.
WORLD HEADQUARTERS
WEB: www.nibco.com

1516 MIDDLEBURY STREET
ELKHART, IN 46516-4740
USA

DOMESTIC CUSTOMER SERVICE
PHONE: 800.234.0227
FAX: 800.234.0557

TECHNICAL SERVICE
PHONE: 888.446.4226
FAX: 888.336.4226

INTERNATIONAL OFFICE
PHONE: +1/574.295.3327
FAX: +1/574.295.3455