

LEAD-FREE*
CAST BRONZE
GATE VALVE
W/ COPPER
PRESS ENDS
(w/leak detection)
PC111LF
PC113LF

APPLICATIONS

- Drinking water
- Domestic hot & cold water
- HVAC (condensers, chilled water, hot water heating)
- For fully opened or fully closed service

MATERIALS & CONSTRUCTION

- Silicon Performance Bronze® alloy
- Screw-in bonnet
- Full-port
- Rising stem (PC111-LF)
- Non-rising stem (PC113-LF)
- Silicon bronze stem & bonnet
- Solid wedge
- 250[†] PSI non-shock cold working pressure
- Maximum pressure / temperature: 200 PSI at 200° F
- Dezincification Resistant (DZR)

DESIGN CRITERIA

- Conforms to MSS SP-139
- NSF/ANSI-372
- NSF/ANSI-61-8 commercial hot 180°F
- For connection to rigid copper tubing manufactured per ASTM B88, condition H (hard drawn). Not compatible with annealed (dead soft) copper tubing
- Designed to leak at low pressure when not crimped, using appropriate testing procedure

*Weighted average lead content ≤ 0.25%

†200 PSI for 2 1/2" and 3"



PC-111-LF
Press x Press
Female End
1/2" - 3"



PC-113-LF
Press x Press
Female End
1/2" - 3"

NIBCO® Press System® Lead-Free* Bronze Gate Valves

Silicon Performance Bronze® alloy • screw-in bonnet • rising stem • conforms to MSS SP-139 • solid wedge • press ends leak detection • NSF/ANSI-61-8 commercial hot 180°F and NSF/ANSI-372



NSF/ANSI 61
NSF/ANSI 372

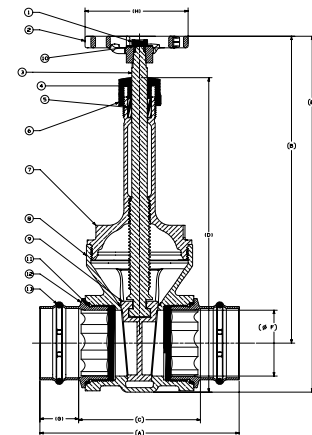


Size range: 1/2" - 3"
Pressure rating: 250[†] PSI non-shock cold working pressure
Maximum pressure / temperature: 200 PSI at 200° F

Lead-free* markings:
Double oval in body casting, white handle and blue hang tag

MATERIAL LIST

PART	SPECIFICATION
1. Handwheel Nut	300 Series Stainless Steel
2. Handwheel	Malleable Iron ASTM A47, 35018
3. Stem	Silicon Bronze ASTM B371 Alloy C69430
4. Packing Gland	ASTM B16 C36000
5. Stem Packing	Aramid Fibers with Graphite
6. Packing Nut	ASTM B16 C36000
7. Bonnet	Silicon Bronze ASTM B584 Alloy C87850
8. Body	Silicon Bronze ASTM B584 Alloy C87850
9. Wedge	Silicon Bronze ASTM B584 Alloy C87850
10. Identification Plate	Aluminum
11. Boss seal o-ring (2)	EPDM
12. Press End Adapter (2)	Wrot Copper ASTM B75 Alloy C12200
13. Leak Detect O-Ring (2)	EPDM



PC-111-LF
Press x Press
Female End

DIMENSIONS—WEIGHTS—QUANTITIES

SIZE	A		B		C		D		E		F		G		H		Weight		Master Ctn Qty.	
	In.	mm.	In.	mm.	In.	mm.	In.	mm.	In.	mm.	In.	mm.	In.	mm.	In.	mm.	Lbs.	Kg.		
1/2 [‡]	15	3.68	93.47	4.85	123	2.28	57.9	3.92	100	4.82	122	0.5	13	0.7	17.78	2.44	62	0.96	0.43	50
3/4	20	4.28	108.7	5.89	150	2.36	60	4.93	125	5.74	146	0.75	19	0.96	24	2.44	62	1.38	0.62	25
1	25	4.62	117.3	7.21	183	2.85	72.4	5.95	151	6.93	176	1.00	25	0.88	22.35	3.19	81	2.18	0.99	20
1-1/4	32	5.1	129.5	8.20	208	3.08	78.23	6.69	170	7.84	199	1.25	32	1.01	25.65	3.19	81	3.15	1.43	10
1-1/2	40	6.18	157	9.40	239	3.41	86.6	7.51	191	8.94	227	1.50	38	1.38	35	4.42	112.3	4.5	2.04	10
2	50	6.44	163.6	11.54	293	3.42	86.9	9.65	245	10.84	275	2.00	51	1.51	38.3	4.42	112.3	6.7	3.04	4
2-1/2	65	7.56	192	14.4	366	4.62	117.3	11.86	301	13.52	343	2.50	64	1.47	37.3	4.42	112.3	11.9	5.4	4
3	80	8.49	215.6	16.6	422	5.17	131.3	13.89	353	15.65	398	3.00	76	1.66	42.2	5.28	134.1	18.6	8.44	4

† 200 PSI for 2 1/2" and 3"

‡ No packing gland, packing only in this size.

*Weighted average lead content ≤ 0.25%

Visit our website for the most current information.

NIBCO® Press System® Lead-Free* Bronze Gate Valves

Silicon Performance Bronze® alloy • screw-in bonnet • non-rising stem • conforms to MSS SP-139 • solid wedge • press ends leak detection • NSF/ANSI-61-8 commercial hot 180°F and NSF/ANSI-372

Size range: 1/2" - 3"
Pressure rating: 250† PSI non-shock cold working pressure
Maximum pressure / temperature: 200 PSI at 200° F

Lead-free* markings:
Double oval in body casting, white handle and blue hang tag

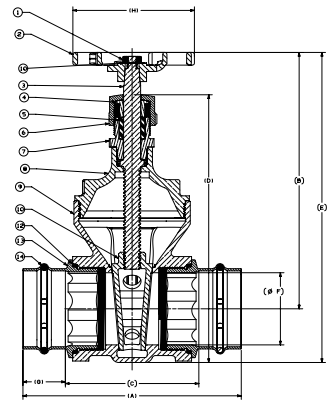


NSF/ANSI 61
NSF/ANSI 372



MATERIAL LIST

PART	SPECIFICATION
1. Handwheel Nut	300 Series Stainless Steel
2. Handwheel	Malleable Iron ASTM A47, 35018
3. Stem	Silicon Bronze ASTM B371 Alloy C69430
4. Packing Gland	ASTM B16 C36000
5. Stem Packing	Aramid Fibers with Graphite
6. Packing Nut	ASTM B16 C36000
7. Stuffing Box	Silicon Bronze ASTM B584 Alloy C87850
8. Bonnet	Silicon Bronze ASTM B584 Alloy C87850
9. Body	Silicon Bronze ASTM B584 Alloy C87850
10. Wedge	Silicon Bronze ASTM B584 Alloy C87850
11. Identification Plate	Aluminum
12. Boss seal o-ring (2)	EPDM
13. Press End Adapter (2)	Wrot Copper ASTM B75 Alloy C12200
14. Leak Detect O-Ring (2)	EPDM



PC-113-LF
Press x Press
Female End

DIMENSIONS—WEIGHTS—QUANTITIES

SIZE	A		B		C		D		E		F		G		H		Weight		Master Ctn Qty.	
	In.	mm.	In.	mm.	In.	mm.	In.	mm.	In.	mm.	In.	mm.	In.	mm.	In.	mm.	Lbs.	Kg.		
1/2†	15	3.68	93.47	3.66	93	2.28	57.9	3.34	84.84	4.24	107.7	0.5	13	0.7	17.78	2.44	62	0.91	0.41	30
3/4	20	4.24	107.7	3.94	100	2.36	59.9	3.85	97.8	4.64	118	0.75	19	0.96	24	2.44	62	1.28	0.58	25
1	25	4.62	117.3	4.62	117.3	2.85	72.4	4.69	119	5.52	140	1.00	25	0.88	22.35	3.19	81	2.09	0.95	20
1-1/4	32	5.1	129.5	5.19	132	3.08	78.2	5.26	133.6	6.25	159	1.25	32	1.01	25.65	3.19	81	3.03	1.37	10
1-1/2	40	6.18	157	6.3	160	3.41	86.6	6.07	154.2	7.5	191	1.50	38	1.38	35	4.42	112.3	4.18	1.9	10
2	50	6.44	163.6	7.09	180	3.42	86.9	7.33	186.2	8.59	218	2.00	51	1.51	38.3	4.42	112.3	6.1	2.77	4
2-1/2	65	7.56	192	8.88	226	4.62	117.3	9.28	235.7	10.69	272	2.50	64	1.47	37.3	4.42	112.3	11.2	5.08	4
3	80	8.49	215.6	10.24	260	5.17	131.3	10.71	272	12.5	318	3.00	76	1.66	42.2	5.28	134.1	17.37	7.89	4

† 200 PSI for 2 1/2" and 3"

‡ No packing gland, packing only in this size.

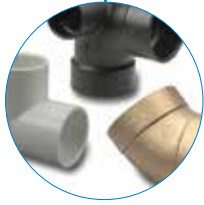
*Weighted average lead content ≤ 0.25%

Visit our website for the most current information.

FEATURING NIBCO® SYSTEMS

NIBCO® PEX Piping Systems • NIBCO® Press System®

FITTINGS



Wrot and cast copper pressure and drainage fittings • Cast copper alloy flanges
• Wrot and cast press fittings • ABS and PVC DWV fittings • Schedule 40 PVC pressure fittings • CPVC CTS fittings • CPVC CTS-to-metal transition fittings
• Schedule 80 PVC and CPVC systems • CPVC metric piping systems
• CPVC BlazeMaster® fire protection fittings • Lead-Free* fittings

BlazeMaster® is a registered trademark of The Lubrizol Corporation.
*Weighted average lead content ≤0.25%

VALVES & ACTUATION

Pressure-rated bronze, iron and alloy-iron gate, globe and check valves • Pressure-rated bronze ball valves • Boiler specialty valves • Commercial and industrial butterfly valves • Circuit balancing valves • Carbon and stainless steel ball valves
• ANSI flanged steel ball valves • Pneumatic and electric actuators and controls
• Grooved ball and butterfly valves • High performance butterfly valves • UL/FM fire protection valves • MSS specification valves • Bronze specialty valves • Low pressure gate, globe, check and ball valves • Frostproof sillcocks • Quarter-turn supply stops • Quarter-turn low pressure valves • PVC ball valves • CPVC CTS ball valves • Bronze & Iron Y-Strainers • Lead-Free* valves • Coil-Connect™ Kits

*Weighted average lead content ≤0.25%



CHEMTROL®



Thermoplastic pipe, valves and fittings in PVC, Corzan® CPVC, polypropylene and PVDF Kynar® • Pneumatic and electric actuation systems

Corzan® is a registered trademark of The Lubrizol Corporation. • Kynar® is a registered trademark of Arkema Inc.

eNIBCO

EDI—Electronic Data Interchange • VMI—Vendor Managed Inventory
• NIBCO.com • NIBCOpartner.com



NIBCO®

AHEAD OF THE FLOW®

NIBCO INC.
WORLD HEADQUARTERS
WEB: www.nibco.com

1516 MIDDLEBURY STREET
ELKHART, IN 46516-4740
USA

DOMESTIC CUSTOMER SERVICE
PHONE: 800.234.0227
FAX: 800.234.0557

TECHNICAL SERVICE
PHONE: 888.446.4226
FAX: 888.336.4226

INTERNATIONAL OFFICE
PHONE: +1/574.295.3327
FAX: +1/574.295.3455