

Class 125 Iron Body Gate Valves

Bolted Bonnet • Non-Rising Stem • Solid Wedge • Bronze Mounted

200 PSI/13.8 bar non-shock cold working pressure from -20°F to 150°F/-29°C to 66°C*
Maximum working temperature 450°F/232°C at 125 PSI/8.6 bar
125 PSI/8.6 bar saturated steam to 353°F/178°C

CONFORMS TO MSS SP-70

MATERIAL LIST

PART	SPECIFICATION
1. Handwheel Nut	Steel ASTM A307
2. Identification Plate	Aluminum
3. Handwheel or Square Operating Nut	Cast Iron ASTM A126 Class B
4. Stem	Brass ASTM B16 Alloy C36000
5. Gland Follower Nut	Copper Alloy ASTM F467 Alloy C27000
6. Gland Follower	Cast Iron ASTM A126 Class B or Ductile Iron ASTM A536
7. Gland Follower Bolt	Steel ASTM A307/SAE J429
8. Packing Gland	Zinc Plated Powdered Iron ASTM B783 or Copper Alloy ASTM B16
9. Stuffing Box	Cast Iron ASTM A126 Class B
10. Packing	Aramid Fibers with Graphite
11. Stuffing Box Gasket	Synthetic Fibers
12. Bonnet	Cast Iron ASTM A126 Class B
13. Body Bolt	ASTM A307/SAE J429
14. Body Gasket	Synthetic Fibers / Nitrile
15. Body Nut	Steel ASTM A307/SAE J429
16. ¹ Wedge Bushing	Copper Alloy ASTM B584 Alloy C84400
17. Seat Ring	Copper Alloy ASTM B584 Alloy C84400
18. Wedge Face Ring	Copper Alloy ASTM B584 Alloy C84400
19. ¹ Wedge	Cast Iron ASTM A126 Class B
20. Body	Cast Iron ASTM A126 Class B
21. Stuffing Box Nut	Steel ASTM A307 (not shown) /SAE J429

¹Sizes thru 6" have Bronze Wedges. Sizes 8" thru 16" made with Cast Iron Wedge with Bronze Bushing and Wedge Face Rings.

NOTE: 14" thru 16" Maximum Steam Rating 100 PSI/6.9 Bar Maximum Non-Shock Cold Working Pressure 150 PSI/10.3 Bar.

Sizes 2" thru 12" have Aramid Fibers/graphite packings. Sizes 14" & 16" have Wire reinforced carbon yarn with resilient core with graphite and Zinc finish.

DIMENSIONS—WEIGHTS—QUANTITIES

Size	Dimensions												F-619		T-619		
	F-619		T-619		B	C	D	E	F-619	T-619	Lbs.	Kg.	Lbs.	Kg.			
	In.	mm.	In.	mm.											In.	mm.	In.
2	50	7.00	178	5.63	143	11.00	279	7	178	6.00	152	.63	16	35	16	25	11
2½	65	7.50	191	5.88	149	12.50	318	7	178	7.00	178	.69	17	49	22	33	15
3	80	8.00	203	6.13	156	13.50	343	8	203	7.50	191	.75	19	60	27	42	19
4	100	9.00	229	6.50	165	15.75	400	10	254	9.00	229	.94	24	90	41	61	28
5	125	10.00	254	x	x	17.00	432	10	254	10.00	254	.94	24	129	59	x	x
6	150	10.50	267	x	x	21.00	533	12	305	11.00	279	1.00	25	161	73	x	x
8	200	11.50	292	x	x	25.00	635	14	356	13.50	343	1.13	29	277	126	x	x
10	250	13.00	330	x	x	29.00	737	16	406	16.00	406	1.19	30	415	188	x	x
12	300	14.00	356	x	x	34.50	876	18	457	19.00	483	1.25	32	631	287	x	x
14	350	15.00	381	x	x	40.38	1026	24	610	21.00	533	1.38	35	869	394	x	x
16	400	16.00	407	x	x	45.75	1162	24	610	23.50	597	1.44	37	1224	555	x	x

x Not available this size.



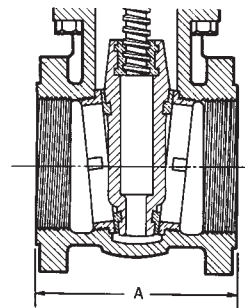
T-619
Threaded



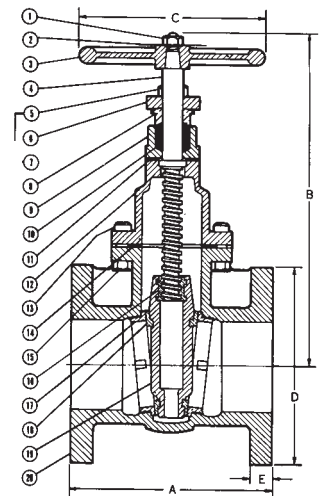
F-619-SON
Flanged
With Square Op. Nut



F-619
Flanged



T-619
NPT x NPT



F-619
Flg x Flg

NOTE: NIBCO may substitute Ductile Iron ASTM A395 (60-40-18) for ASTM A126 Class B Cast Iron for the Body, Bonnet, Wedge, or Disc. NIBCO may substitute Ductile Iron ASTM A395 (60-40-18) or ASTM A536 (65-45-12) for all other ASTM A126 Class B Cast Iron components.

FREEZING WEATHER PRECAUTION: Subsequent to testing a piping system, valves should be left in an open position to allow complete drainage.

◆ For detailed Operating Pressure, refer to Pressure Temperature Chart on page 114.

⚠ WARNING: This product can expose you to chemicals including lead, which is known to the State of California to cause cancer and birth defects or other reproductive harm. For more information go to www.P65Warnings.ca.gov.

Visit www.nibco.com for current Chem-Guide and galvanic potential in piping systems information.