

# Class 150 Ductile Iron Body Gate Valves

Raised Face Flanges • Bolted Bonnet • Non-rising Stem • Solid Wedge • B584 Bronze Trim

**285 PSI/19.7 bar non-shock cold working pressure to -20°F to 100°F/-29°C to 38°C\***

**Maximum working temperature 450°F/262°C at 185 PSI/8.6 bar**

**150 PSI/10.3 bar saturated steam to 366°F/186°C**

CONFORMS TO MSS SP-128

## MATERIAL LIST

PART	SPECIFICATION
1. Handwheel Nut	Steel ASTM A563
2. Identification Plate	Aluminum
3. Handwheel	Iron ASTM A126 Class B
4. Stem	Brass ASTM B371 C69430/C69400
5. Gland Follower Nut	Copper Alloy ASTM F467
6. Gland Follower	Ductile Iron ASTM A536
7. Gland Follower Bolt	Steel ASTM A307/SAE J429
8. Packing Gland	Copper Alloy or Iron
9. Stuffing Box	Ductile Iron ASTM A536
10. Packing	Aramid Fibers / Graphite
11. Stuffing Box Gasket	Synthetic Fibers
12. Bonnet	Ductile Iron ASTM A395
13. Body Bolt	A193 B7/SAE J429 Grade 8
14. Body Gasket	Synthetic Fibers
15. Body Nut	Steel ASTM A194 2H/SAE J995 Grade 8
16. <sup>2</sup> Seat Ring	Copper Alloy ASTM B584 C84400
17. Wedge Face Ring	Copper Alloy ASTM B584
18. <sup>1</sup> Wedge	Ductile Iron ASTM A395
19. Body	Ductile Iron ASTM A395
20. Stuffing Box Nut	Steel ASTM A563 (not shown)

<sup>1</sup>Sizes thru 4" made with Bronze Wedges. Sizes 5" thru 12" made with Ductile Iron Wedge with Bronze Face Rings (31 Trim).

<sup>2</sup>Lugs may be removed at customer's request – POA.

<sup>3</sup>2" thru 12" have Aramid Fibers/Graphite packings. 14" & 16" have wire reinforced carbon yarn with resilient core with graphite and Zinc finish.

## DIMENSIONS—WEIGHTS—QUANTITIES

Size	Dimensions										Weight		
	A		B		C		D		E		Lbs.	Kg.	
In.	mm.	In.	mm.	In.	mm.	In.	mm.	In.	mm.	In.	mm.		
2	50	7.00	178	11.00	279	7.00	178	6.00	152	.63	16	35	16
2½	65	7.50	191	12.50	318	7.00	178	7.00	178	.69	17	49	22
3	80	8.00	203	13.50	343	8.00	203	7.50	191	.75	19	60	27
4	100	9.00	229	15.75	400	10.00	254	9.00	229	.94	24	90	41
5	125	10.00	254	17.00	432	10.00	254	10.00	254	.94	24	129	59
6	150	10.50	267	21.00	533	12.00	305	11.00	279	1.00	25	161	73
8	200	11.50	292	25.00	635	14.00	356	13.50	343	1.13	29	278	126
10	250	13.00	330	29.00	737	16.00	406	16.00	406	1.19	30	419	190
12	300	14.00	356	34.50	876	18.00	457	19.00	483	1.25	32	631	286
14	350	15.00	381	40.38	1026	20.00	508	21.00	533	1.38	35	869	394
16	400	16.00	407	45.75	1162	22.00	559	23.50	597	1.44	37	1223	555

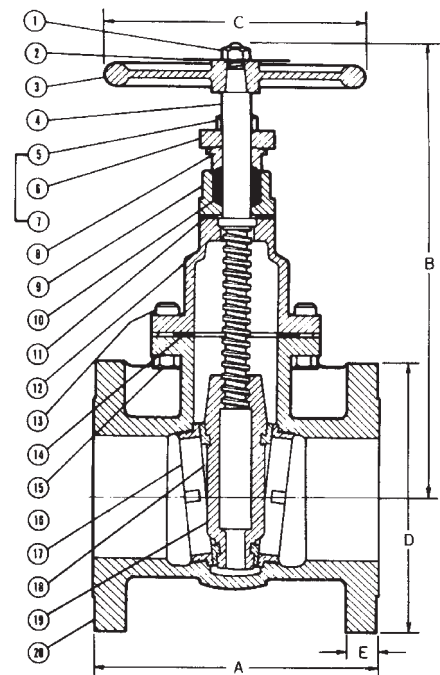
Position indicators available. See page 98.

**FREEZING WEATHER PRECAUTION:** Subsequent to testing a piping system, valves should be left in an open position to allow complete drainage.

◆ For detailed Operating Pressure, refer to Pressure Temperature Chart on page 114.



**F-639-31**  
Flanged-Raised Face



**F-639-31**  
Flg x Flg



**WARNING:** This product can expose you to chemicals including lead, which is known to the State of California to cause cancer and birth defects or other reproductive harm. For more information go to [www.P65Warnings.ca.gov](http://www.P65Warnings.ca.gov).

Visit [www.nibco.com](http://www.nibco.com) for current Chem-Guide and galvanic potential in piping systems information.