

# Class 150 Ductile Iron Body Gate Valves

Raised Face Flanges • Bolted Bonnet • Non-Rising Stem • Solid Wedge • 316 Stainless Steel Trim

**285 PSI/19.7 bar non-shock cold working pressure to -20°F to 100°F/-29°C to 38°C\***

**Maximum working temperature 500°F/260°C at 125 PSI/8.6 bar**

**150 PSI/10.3 bar saturated steam to 366°F/186°C**

CONFORMS TO MSS SP-128

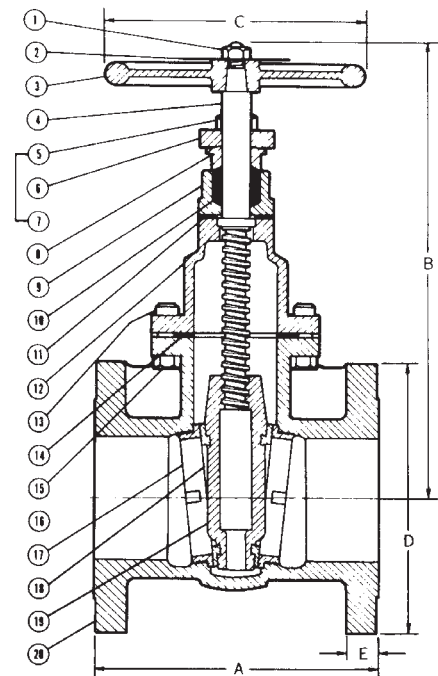
## MATERIAL LIST

PART	SPECIFICATION
1. Handwheel Nut	Steel ASTM A307
2. Identification Plate	Aluminum
3. Handwheel	Iron ASTM A126 Class B
4. Stem	Stainless Steel ASTM A276
5. Gland Follower Nut	Steel ASTM A307
6. Gland Follower	Ductile Iron ASTM A536
7. Gland Follower Bolt	Steel ASTM A307/SAE J429
8. Packing Gland	Stainless Steel ASTM A276
9. Stuffing Box	Ductile Iron ASTM A536
10. Packing	PTFE Braided
11. Stuffing Box Gasket	Synthetic Fibers
12. Bonnet	Ductile Iron ASTM A395
13. Body Bolt	Steel ASTM A193 B7/SAE J429 Grade 8
14. Body Gasket	Synthetic Fibers / Nitrile
15. Body Nut	Steel ASTM A194 2H/SAE J995 Grade 8
16. <sup>1</sup> Seat Ring	Stainless Steel ASTM A351 CF8M
17. Wedge Face Ring	Stainless Steel ASTM A351 CF8M
18. Wedge	Ductile Iron ASTM A395
19. Body	Ductile Iron ASTM A395
20. Stuffing Box Nut	Steel ASTM A307 (not shown)

<sup>1</sup>Lugs may be removed at customer's request – POA.



**F-639-33**  
Flanged-Raised Face



**F-639-33**  
Fig x Flg

## DIMENSIONS—WEIGHTS—QUANTITIES

Size	Dimensions										Weight	
	A		B		C		D		E			
In.	mm.	In.	mm.	In.	mm.	In.	mm.	In.	mm.	Lbs.	Kg.	
2	50	7.00	178	11.00	279	7.00	178	6.00	152	.63	16	35
2½	65	7.50	191	12.50	318	7.00	178	7.00	178	.69	17	49
3	80	8.00	203	13.50	343	8.00	203	7.50	191	.75	19	60
4	100	9.00	229	15.75	400	10.00	254	9.00	229	.94	24	90
5	125	10.00	254	17.00	432	10.00	254	10.00	254	.94	24	129
6	150	10.50	267	21.00	533	12.00	305	11.00	279	1.00	25	161
8	200	11.50	292	25.00	635	14.00	356	13.50	343	1.13	29	278
10	250	13.00	330	29.00	737	16.00	406	16.00	406	1.19	30	419
12	300	14.00	356	34.50	876	18.00	457	19.00	483	1.25	32	631
14	350	15.00	381	40.38	1026	20.00	508	21.00	533	1.38	35	869
16	400	16.00	407	45.75	1162	22.00	559	23.50	597	1.44	37	1223

Position indicators available. See page 98.

**FREEZING WEATHER PRECAUTION:** Subsequent to testing a piping system, valves should be left in an open position to allow complete drainage.

◆ For detailed Operating Pressure, refer to Pressure Temperature Chart on page 114.



**WARNING:** This product can expose you to chemicals including lead, which is known to the State of California to cause cancer and birth defects or other reproductive harm. For more information go to [www.P65Warnings.ca.gov](http://www.P65Warnings.ca.gov).

Visit [www.nibco.com](http://www.nibco.com) for current Chem-Guide and galvanic potential in piping systems information.